

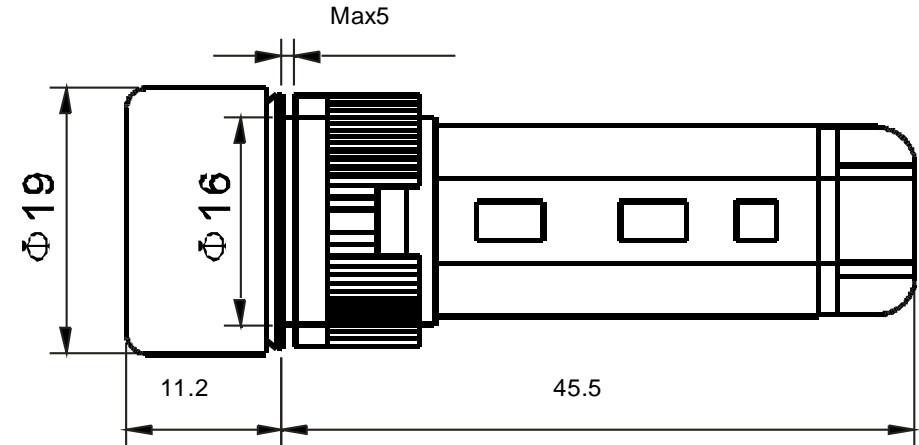
AB-BUZ-1301 16MM IP40 12V ILLUMINATED INTERMITTANT BUZZER

BUZZERS

Specifications

AB-BUZ-1301

| | |
|-----------------------|--|
| Terminal type | Panel mount |
| Panel cut out | 16mm |
| Buzzer tone | Intermittant |
| Lamp colour | Red LED |
| Voltage | 12VAC/DC |
| Sound output | min 80dB at 10cm |
| Rated current | ≤35mA |
| IP degree | IP40 |
| Electrical life | ≥30,000 hours |
| Dielectric strength | 2.5kV (AC RMS), 1min |
| Usage frequency (AC) | 50-60Hz |
| Insulation resistance | $U_i \leq 60V, 5M\Omega; 60V < U_i \leq 660V, 50M\Omega$ |



ROHS Compliant



ALAN BUTCHER COMPONENTS LTD

Alan Butcher Components Ltd

Unit 1 Beechwood Clump Farm Industrial Estate Tin Pot Lane Blandford Dorset DT11 7TD

Telephone 01258 456360 Facsimile 01258 459194 Email sales@abcomponents.co.uk

www.abcomponents.co.uk