

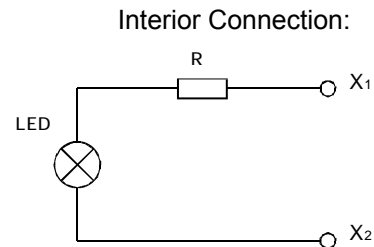
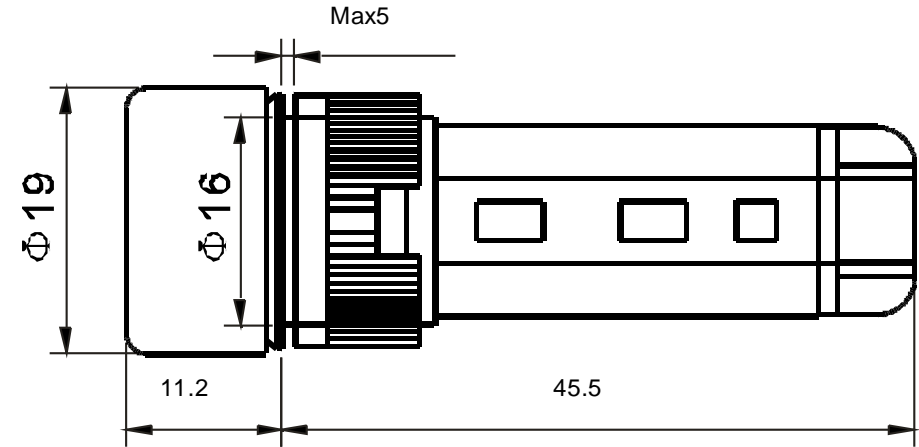
# AB-BUZ-1302 16MM, IP40, 12V, RED LED, INTERMITTANT SIGNAL LAMP

SIGNAL LAMP

## Specifications

### AB-BUZ-1302

Terminal type	Panel mount
Panel cut out	16mm
Illumination	Intermittant/Flashing
Lamp colour	Red LED
Voltage	12VAC/DC
Rated operating current	≤20mA
IP degree	IP40
Electrical life	≥30,000 hours
Dielectric strength	2.5kV (AC RMS), 1min
Usage frequency (AC)	50-60Hz
Insulation resistance	$U_i \leq 60V, 5M\Omega; 60V < U_i \leq 660V, 50M\Omega$
Brightness	≥100cd/m <sup>2</sup>
Comparative tracking index	CT1≥100, flame retardant



ROHS Compliant



ALAN BUTCHER COMPONENTS LTD

**Alan Butcher Components Ltd**

Unit 1 Beechwood Clump Farm Industrial Estate Tin Pot Lane Blandford Dorset DT11 7TD

Telephone 01258 456360 Facsimile 01258 459194 Email [sales@abcomponents.co.uk](mailto:sales@abcomponents.co.uk)

[www.abcomponents.co.uk](http://www.abcomponents.co.uk)