

# MUSIC HORN LOUDSPEAKERS

## ➤ MSH30T/EN ➤ MSH30T/ENC

EN54-24



### TECHNICAL SPECIFICATIONS

EN54-24:2008

Certificate No: 0359-CPD-0166 TYPE B

#### ELECTRICAL

Rated power, Watts	30
Tappings 100 volt line, Watts	30/15/7.5/3.75
Transformer Impedance, Ohms 100V	330/660/1.32k/2.64k
Tappings 70.7 volt line, Watts	15/7.5/3.75/1.875
Driver impedance, Ohms	8
Effective Frequency Range, Hz (BSEN60268-5)	70-16,500
S.P.L. @ 4m, 1watt, dB, 1/3 Octave, 1KHz	68
S.P.L. @ 1m, 1watt, dB, Test Signal Bandwidth 100Hz-10kHz	99
S.P.L. @ 4m, Full power, dB, 1/3 Octave 1KHz	88
S.P.L. @ 1m, Full power, Test Signal Bandwidth 100Hz-10kHz	114
Dispersion at 1k/2k Hz, Degrees	56/98 Horizontal 96/52 Vertical

#### ENVIRONMENTAL

IP Rating	66
Max/Min Ambient Temp	70°/-25°C
Relative Humidity	≤95%

#### MECHANICAL

Dimensions, WxHxD mm	442x260x288
Net Weight, Kgs	5.5
Colour (Unless Specified)	RAL7035
Material	Low smoke zero halogen UL-94V0 Plastic with UV inhibitors
Mounting	Stainless Steel U bracket and hardware

- MSH30T/ENC is supplied with capacitor for DC line monitoring
- MSH30T/EN & C is BS5839 Part B Compliant
- Suitable for external use

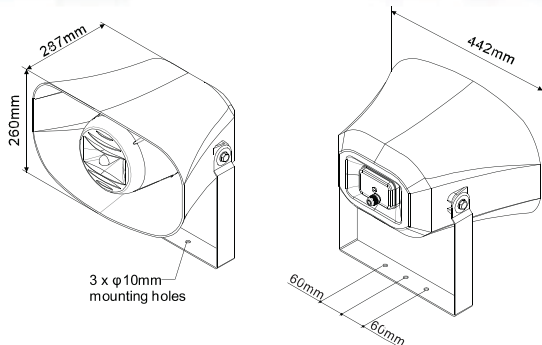
Manufacturer reserves the right to alter specifications without notice

January 2018

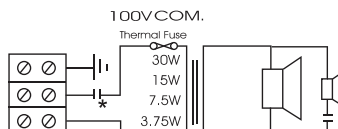
# MSH30T/EN

# MSH30T/ENC

## MUSIC HORN LOUDSPEAKERS



### CIRCUIT DIAGRAM



MSH30T/ENC  
\*with capacitor

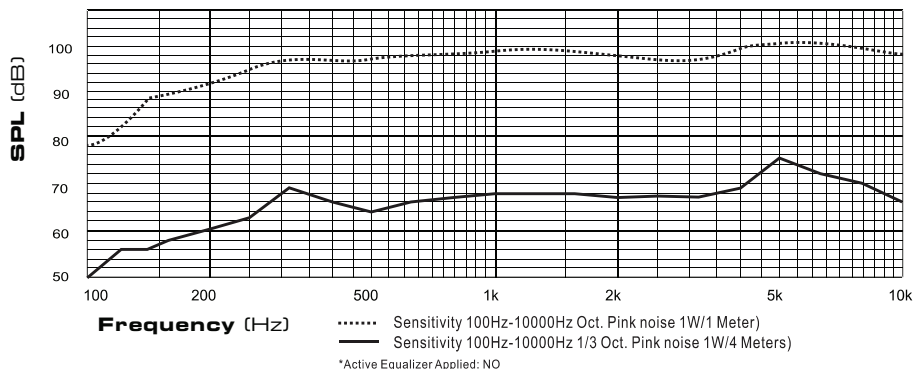
### WITH TRANSFORMER: 100V/70V LINE

	WHITE WIRE PLUS TAPPING				BLACK
100V	3.75W	7.5W	15W	30W	COM
70V	1.875W	3.75W	7.5W	15W	COM
IMP (Ω)	2.64K	1.32K	660	330	

### DISPERSION ANGLES

		HORIZONTAL	VERTICAL
<b>1 OCT. PINK NOISE</b>	500 Hz	113°	178°
<b>1 OCT. PINK NOISE</b>	1K Hz	56°	96°
<b>1 OCT. PINK NOISE</b>	2K Hz	98°	52°
<b>1 OCT. PINK NOISE</b>	4K Hz	60°	63°

### FREQUENCY RESPONSE



MSH30T/EN & MSH30T/ENC have been tested in 100 hours max power (15W). The model does not deviate by more than  $\pm 3$ dB from the original test value. The frequency response curve and impedance complies with the original one. All SPL tests are performed in an anechoic chamber (<70m<sup>3</sup>)



**Penton UK Ltd**

Unit 2 Teville Industrials | Dominion Way | Worthing | West Sussex | BN14 8NW

T: +44 (0)1903 215315 | F: +44(0)1903 215415 | E: SALES@PENTONUK.CO.UK

[www.pentonuk.co.uk](http://www.pentonuk.co.uk)

