

HDMI female to female keystone coupler



HDMI female to female keystone coupler (KCHDbk)

This HDMI female to female coupler can be used for easy snap-in mounting in a keystone patch panel, face plate or surface-mount box. It allows a connection in the end user's custom wall plate or panel and features gold-plated female connectors to assist HDMI high speed signal.

Features

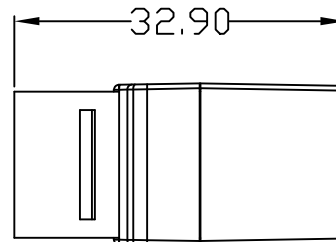
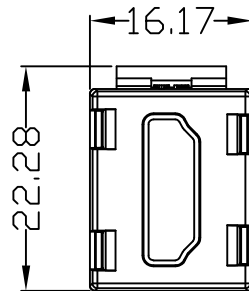
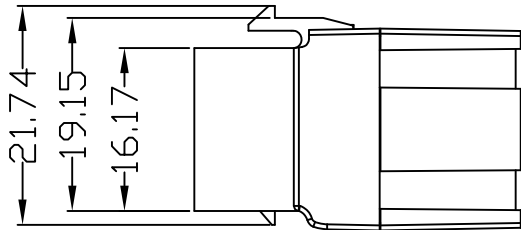
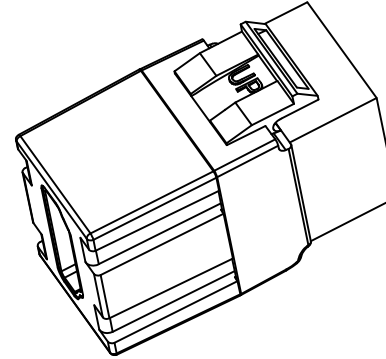
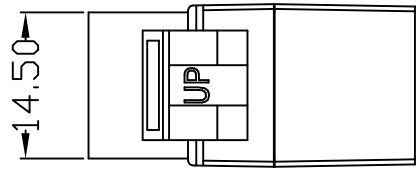
- Keystone style HDMI Female/Female coupler
- HDMI High Speed compatible, supports HDMI 1.4
- Gold plated connectors and contacts for maximum signal quality and integrity
- Designed to fit industry standard keystone outlets and patch panels
- Available as part of our innovative new panel mount coupler (KCHDbkpm), designed for easy mounting on panels of virtually any thickness

Specifications

- Dimensions: 33 x 16.17 x 22.5mm (LxWxH)
- Colour: black
- Materials: ABS UL94V-0
- Connector: gold plated 19 pin contacts
- Packaging: Supplied in individual polythene bags, then in bags of 20.

ROHS Compliant

Code: KCHDbk



ALL MEASUREMENTS IN MM	
LIMITS	B
< 10	±0.05
10~50	±0.10
50~120	±0.15
120~300	±0.20
300~500	±0.25
500~1000	±0.30
1000~1500	±0.35
ANGLE	±0.5°