

# Thermoelectric Cooler Assembly

## Air to Air, 24VDC, 200W

**multicomp** PRO

**RoHS  
Compliant**



### Benefits

- Easy to install
- High reliability
- Low noise
- Precise temperature control

### Applications

- Incubator
- Battery compartment
- Various types of cabinets

### Description

Thermoelectric cooling assemblies come in direct to air, air to air and liquid to air variations comprising thermoelectric cooler module/s, heat exchangers, fan/s and thermal interfaces which are optimised for effective heat transfer.

European Thermodynamics are specialists in thermal management and thermoelectrics, developing the high performance thermoelectrics products and materials of the future.

In Air-to-Air cooling assemblies heat is pumped from one side of the thermoelectric assembly (cold side) using Peltier thermoelectric modules and is dissipated from the other (hot side) of the assembly to the environment through the use of bespoke heat sinks and highly efficient DC axial fans. The thermoelectric modules, whose reliability and maintenance-free operation have been well proven, are carefully selected for each assembly in order to ensure the best cooling performance and to minimise power consumption.

Air-to-air assemblies are available in a variety of cooling power outputs with a range of supply voltages.

### Specification

Maximum cooling power	[W]	200
Nominal voltage	[V]	24
Maximum voltage	[V]	28
Maximum current	[A]	11.8
Power input	[W]	283.2
Operating temperature	[°C]	-20 to +55
Weight	[kg]	TBA - ~10
Performance tolerance	[%]	10
L10 of fans at 40°C	[hrs]	40k
TEC hot side temperature protection	[°C]	85
Hot side IP code	-	IP54
Fan	-	dual ball bearing fan with UL approval

Newark.com/multicomp-pro  
Farnell.com/multicomp-pro  
sg.element14.com/b/multicomp-pro

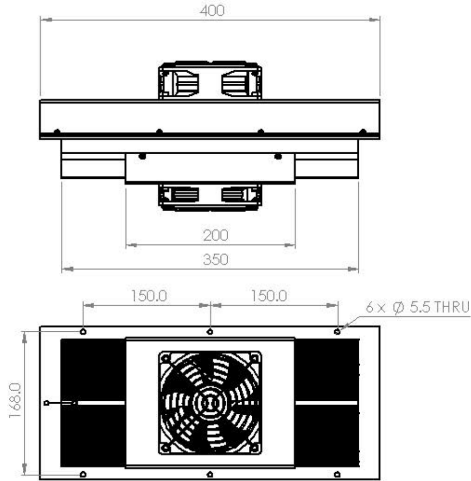
**multicomp** PRO

# Thermoelectric Cooler Assembly

## Air to Air, 24VDC, 200W

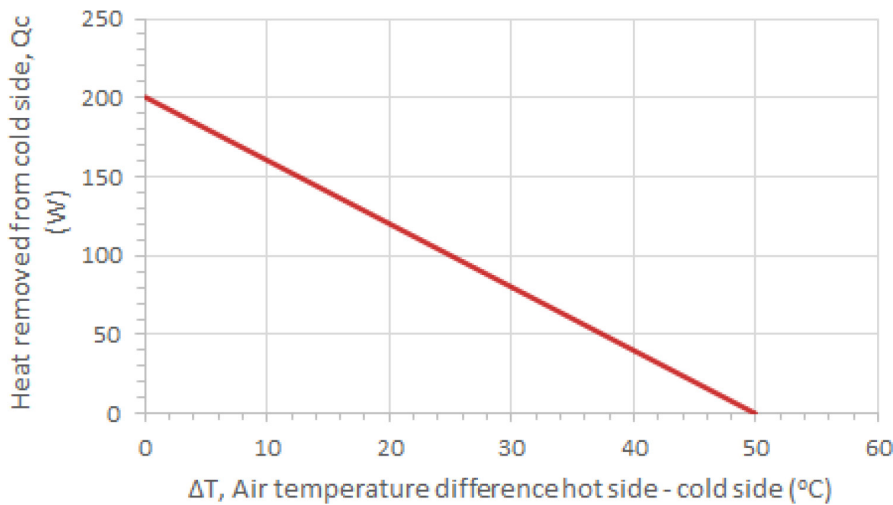
**multicomp** PRO

### Diagram & Dimensions



Dimensions : Millimetres

### Performance graph



### Part Number Table

Description	Part Number
Thermoelectric Cooler Assembly, Air to Air, 24V DC, 200W	MP008793

**Important Notice :** This data sheet and its contents (the "Information") belong to the members of the AVNET group of companies (the "Group") or are licensed to it. No licence is granted for the use of it other than for information purposes in connection with the products to which it relates. No licence of any intellectual property rights is granted. The Information is subject to change without notice and replaces all data sheets previously supplied. The Information supplied is believed to be accurate but the Group assumes no responsibility for its accuracy or completeness, any error in or omission from it or for any use made of it. Users of this data sheet should check for themselves the Information and the suitability of the products for their purpose and not make any assumptions based on information included or omitted. Liability for loss or damage resulting from any reliance on the Information or use of it (including liability resulting from negligence or where the Group was aware of the possibility of such loss or damage arising) is excluded. This will not operate to limit or restrict the Group's liability for death or personal injury resulting from its negligence. Multicomp Pro is the registered trademark of Premier Farnell Limited 2019.

Newark.com/multicomp-pro  
 Farnell.com/multicomp-pro  
 sg.element14.com/b/multicomp-pro

**multicomp** PRO