

Spur Gears - Acetal



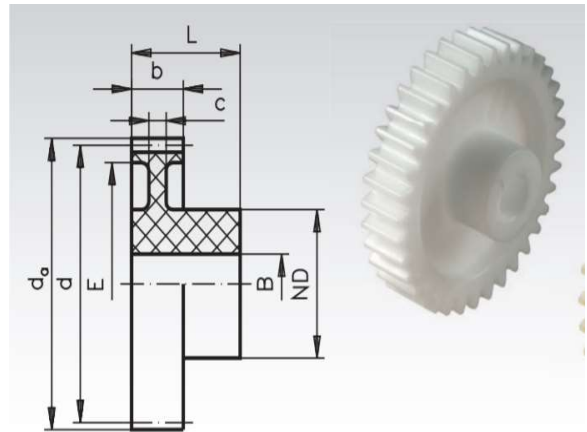
- Injection Moulded
- Machined Bores
- Pressure angle 20°

High Strength and low friction coefficient makes these gears a popular choice for many applications, including under water

Material : Acetal

Module : 1.0

Thickness (b) : 9mm



Order Code	Teeth	Overall Dia (da)	Pitch Dia (d)	Hub Dia (ND)	Bore (B) (H7)	Torque (Ncm)	Weight (g)	Length (L)
101283012	12	14	12	9	4	10	1.68	17
101283014	14	16	14	9	4	13	2.16	17
101283016	16	18	16	9	4	17	2.74	17
101283018	18	20	18	9	4	20	3.26	17
101283020	20	22	20	9	4	26	4	17
101283022	22	24	22	12	5	33	5.2	17
101283024	24	26	24	15	6	40	6.59	18
101283025	25	27	25	15	6	44	7.25	18
101283028	28	30	28	15	6	58	8.3	18
101283030	30	32	30	15	6	68	9.49	18
101283032	32	34	32	18	6	79	11	18
101283038	38	40	38	18	8	119	14.1	18
101283040	40	42	40	18	8	134	15.4	18
101283045	45	47	45	18	8	176	16.2	18
101283050	50	52	50	18	8	221	20.6	18
101283054	54	56	54	21	8	238	22.3	18
101283056	56	58	56	21	8	259	25.1	18
101283060	60	62	60	21	8	266	29	18
101283064	64	66	64	21	10	285	33.9	18
101283070	70	72	70	21	10	312	41.7	18
101283072	72	74	72	21	10	321	39.3	18
101283080	80	82	80	21	10	358	52.6	18