



# DNH

HEAD OFFICE, NORWAY  
**DNH AS**

Phone..... + 47 35 98 56 00  
 E-mail..... dnh@dnh.no  
 Web-Site..... www.dnh.no

ENGLAND

**DNH WW Ltd**

Phone..... + 44 1908 275 000  
 Fax..... + 44 1908 275 100  
 E-mail..... dnh@dnh.co.uk

GERMANY

**DNH GmbH**

Phone... + 49 040 6569 30-0  
 Fax..... + 49 040 6569 30-30  
 E-mail..... dnh@dnh.de

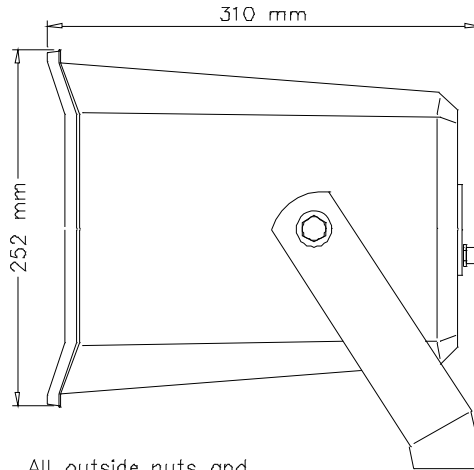
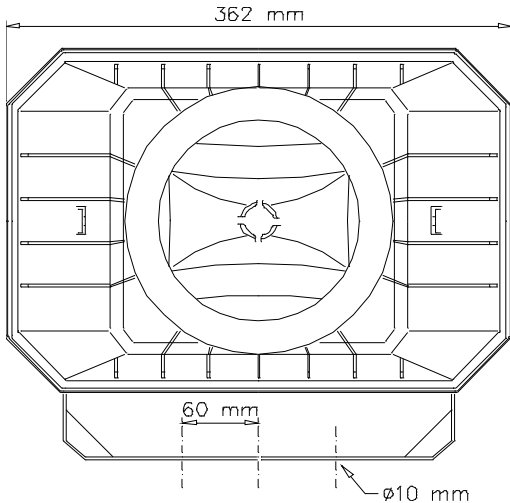
USA

**DNH Speakers Inc**

Phone..... + 1 484 494 5790  
 Fax..... + 1 484 494 5793  
 E-mail..... dnh@dnhspeakers.com

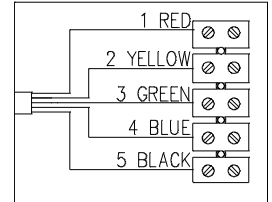
## MH-15(T)

ISO 9001 CERTIFIED



All outside nuts and screws in stainless steel

CONNECTION DIAGRAM

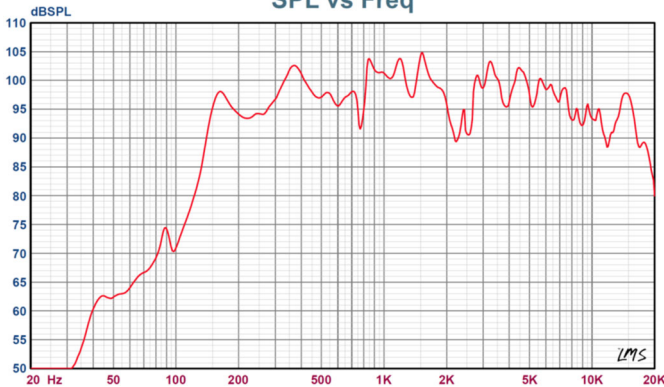


Cable gland  
 M-12  
 (2,5-6,5mm)

**100V transformer  
 Primary nominal  
 tappings**

|        |        |        |
|--------|--------|--------|
| Red    | Yellow | 15,0 W |
| Yellow | Green  | 7,5 W  |
| Green  | Blue   | 3,5 W  |
| Red    | Green  | 2,8 W  |
| Yellow | Blue   | 1,3 W  |
| Red    | Blue   | 0,7 W  |
| Red    | Black  | 8 Ω    |

Sound pressure levels at 1W/1m  
 SPL vs Freq



**Specifications**

|                               |                               |
|-------------------------------|-------------------------------|
| Material / Color              | ABS, Polypropylene / RAL 7035 |
| Mounting                      | Aluminum bracket              |
| Termination                   | Screw terminal                |
| Weight w/transformer          | 3,2 kg                        |
| IP-rating                     | 55                            |
| Max. / min. amb. temp         | 90°C / -40°C                  |
| Rated power                   | 15 W                          |
| SPL 1W/1m                     | 104 dB                        |
| SPL rated power               | 115 dB                        |
| Effective freq. range         | 140 – 16000 Hz                |
| Dispersion (-6dB) 1kHz / 4kHz | 65° / 20°                     |
| Options                       | Impedances, colors, labels    |

**Installation, Operation and Maintenance Procedures**

- Unscrew lid, lead cable through cable gland and connect to terminal according to required power or 8Ω red : black.
- Tighten cable gland and fasten termination chamber lid with a torque of 1-2 Nm to assure IP grade.
- Fasten the bracket to wall or ceiling with three screws.
- To change the position of the loudspeaker, please adjust the bracket (by loosening / tightening the screws) as required.
- For optimum performance, always use the correct voltage / power and operate within the frequency limits as stated.
- Do not open loudspeaker when energized.
- This loudspeaker is supplied with two years warranty against defective workmanship.

DNH reserves the right to alter specifications without notice.

