

LCD Wall Swing Arm



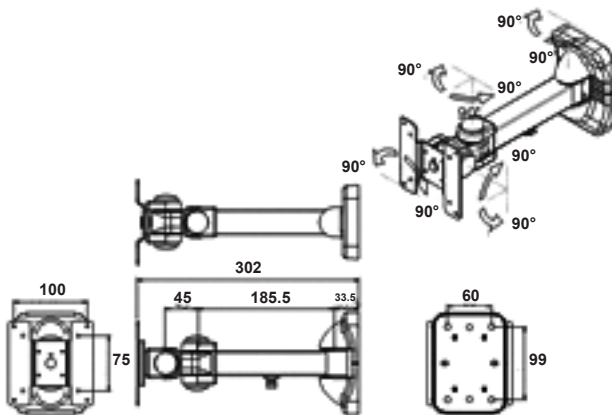
Description

A tilt and swivel single arm wall mount suitable for TV and monitor flat panel screens from 13" to 26". The flexibility of the 360° rotation allows screens to be either horizontal or vertical and to be aligned and re-aligned after installation.

Features

- Suitable for 13" to 26" flat panel screens
- VESA 75 and 100 compatible
- 300mm Arm length
- Three tension pivot points
- 180° Tilt, turn and swing
- Cable clamp on arm to hide cable while adjusting/positioning
- Supplied with miniature spirit level and mounting kit
- Maximum screen weight: 10kg

Diagram



Part Number Table

Description	Part Number
Tilt and Swivel Single Arm TV Wall Mount, 13" to 26" Screen	PSG03348

Dimensions : Millimetres

Important Notice : This data sheet and its contents (the "Information") belong to the members of the AVNET group of companies (the "Group") or are licensed to it. No licence is granted for the use of it other than for information purposes in connection with the products to which it relates. No licence of any intellectual property rights is granted. The Information is subject to change without notice and replaces all data sheets previously supplied. The Information supplied is believed to be accurate but the Group assumes no responsibility for its accuracy or completeness, any error in or omission from it or for any use made of it. Users of this data sheet should check for themselves the Information and the suitability of the products for their purpose and not make any assumptions based on information included or omitted. Liability for loss or damage resulting from any reliance on the Information or use of it (including liability resulting from negligence or where the Group was aware of the possibility of such loss or damage arising) is excluded. This will not operate to limit or restrict the Group's liability for death or personal injury resulting from its negligence. pro-SIGNAL is the registered trademark of Premier Farnell Limited 2019.

Newark.com/exclusive-brands
 Farnell.com/exclusive-brands
 Element14.com/exclusive-brands