

Dual Head Desktop Monitor Mount



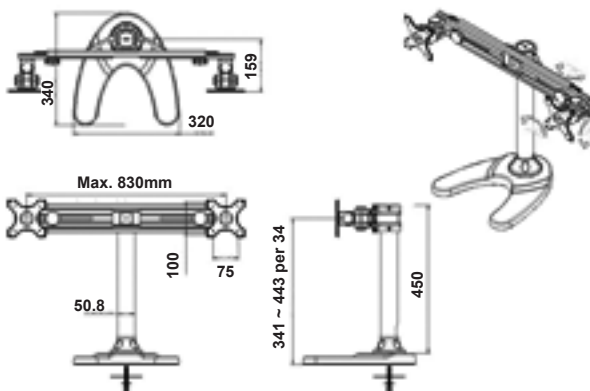
Description

A heavy duty twin screen LCD desk mount with heavyweight base. The all metal construction ensures the bracket remains rigid and stable at all times. Ideal for install into office or commercial environments.

Features

- Adjustable height with four settings from 330-450mm
- Adjustable horizontal spacing (520-830mm) - allows the use of larger monitors
- Sturdy, all metal construction
- Extra sturdy clamp with twin turn screws for extra rigidity
- Internal cable management
- Tilt & swivel function
- VESA 75/100 compatible
- Clamps to desks up to 100mm thick
- Maximum weight capacity: 6kg (per monitor)

Diagram



Part Number Table

Description	Part Number
Dual Head Desktop Monitor Mount, Screens up to 6kg VESA Compatible	PSG03645

Dimensions : Millimetres

Important Notice : This data sheet and its contents (the "Information") belong to the members of the AVNET group of companies (the "Group") or are licensed to it. No licence is granted for the use of it other than for information purposes in connection with the products to which it relates. No licence of any intellectual property rights is granted. The Information is subject to change without notice and replaces all data sheets previously supplied. The Information supplied is believed to be accurate but the Group assumes no responsibility for its accuracy or completeness, any error in or omission from it or for any use made of it. Users of this data sheet should check for themselves the Information and the suitability of the products for their purpose and not make any assumptions based on information included or omitted. Liability for loss or damage resulting from any reliance on the Information or use of it (including liability resulting from negligence or where the Group was aware of the possibility of such loss or damage arising) is excluded. This will not operate to limit or restrict the Group's liability for death or personal injury resulting from its negligence. pro-SIGNAL is the registered trademark of Premier Farnell Limited 2019.

Newark.com/exclusive-brands
Farnell.com/exclusive-brands
Element14.com/exclusive-brands

