

CAT6 Surface Mount Box Single Port

pro-SIGNAL

RoHS
Compliant



Specifications

Top and Bottom Case	: ABS, UL94V-0
RJ45 Jack Housing	: PBT+15%GF, UL94V-0
RJ45 Jack Contact Material and Finished	: Phosphor Bronze with 50-60 micro-inch Nickel Plated Contact Area: Min. 3mm 50 micro-inch Gold Plated
IDC Housing	: PC+5%GF, UL94V-2
IDC Terminal	: Phosphor Bronze with 50-60 micro-inch Tin Plated 110 & Krone Tool compatible Use for 22-26 AWG Stranded and Solid Wire
Screw	: M2×6×3.3mm
PCB	: FR4, 2 Layer, UL94V-0
Self-Tapping Screw	: OD 3.6, 18 teeth/inch, L=18
Twin Adhesive	: 27×47
Cable Tie	

Performance

The IDC colour codes combine two wirings of T568A and T568B

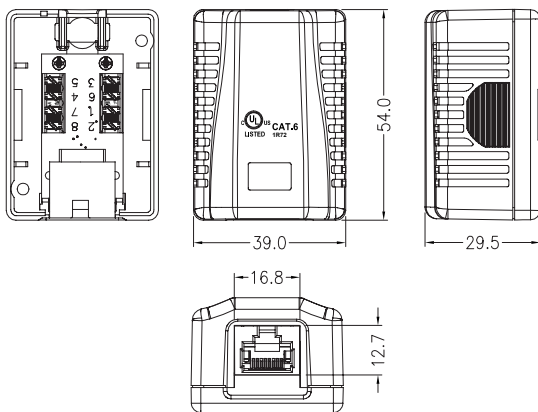
Operation Temperature: -10°C to +65°C

Durability: Jack: 750 cycles Plug-Jack mating and unmating test, insertion cycles at 20 cycles/minute Max.

IDC: Max. 200 punching times

The CAT6 Performance is in compliance with the ANSI/TIA/EIA 568 B.2-1 Standard

Diagram



Dimensions : Millimetres

Part Number Table

Description	Part Number
CAT6 Surface Mount Box, 1 Port	PSG08000

Important Notice : This data sheet and its contents (the "Information") belong to the members of the AVNET group of companies (the "Group") or are licensed to it. No licence is granted for the use of it other than for information purposes in connection with the products to which it relates. No licence of any intellectual property rights is granted. The Information is subject to change without notice and replaces all data sheets previously supplied. The Information supplied is believed to be accurate but the Group assumes no responsibility for its accuracy or completeness, any error in or omission from it or for any use made of it. Users of this data sheet should check for themselves the Information and the suitability of the products for their purpose and not make any assumptions based on information included or omitted. Liability for loss or damage resulting from any reliance on the Information or use of it (including liability resulting from negligence or where the Group was aware of the possibility of such loss or damage arising) is excluded. This will not operate to limit or restrict the Group's liability for death or personal injury resulting from its negligence. pro-SIGNAL is the registered trademark of Premier Farnell Limited 2019.

Newark.com/exclusive-brands
 Farnell.com/exclusive-brands
 Element14.com/exclusive-brands

pro-SIGNAL