

UNITED KINGDOM 3-PIN PLUG-IN POWER SUPPLY 12VDC 12WATT

POWERPAX: SW4010G



Features:

- United Kingdom Fixed AC Head
- 1 Year Warranty
- Level VI Efficiency
- CE Approved

Description:

Our Range of Class II 12 Watt AC/DC United Kingdom plug-in power supplies provide 12 Watts of continuous power in a compact fixed wall plug enclosure suitable for use in many general power applications.

Specification	
Part Number	SW4010G
Input Voltage Range	100-240Vac
Input Frequency Range	50-60Hz \pm 3Hz
Input Current Rated	0.4A Max.
Output Voltage Rating	+12V
Output Current Range	1A
Output Min Current	0.01A
Output Connection Type	2.1x5.5x12mm Centre Positive –Straight
Rating Output Power	12.0W
Line and Load Regulation	+/- 5%
Leakage Current	>0.25 mA
Ripple & Noise	120mVp-p
Efficiency	82.96% Min
Short-circuit Protection	The adapter shall not be damaged by short the DC output to Ground. The adapter shall resume normal operation when a short circuited fault condition is removed.
Over Current Protection	The output shall be protected against the over current conditions.
Operating Temperature	0°C to +50°C
Storage Temperature	-20°C to +80°C
Operating Humidity	10% to 90%
Storage Humidity	10% to 90%
Hi-Pot	3000VAC 5mA 1min
Safety Standard	Declared & CE Mark
EMC Standard	FCC part 15: Class B EN55022, Class B EN 55024 EN 61000-4-2 EN 61000-4-3 EN 61000-4-4 EN 61000-4-5
MTBF	50K Hours
Size mm max.	78.98 (L) x 49.5 (W) x 37.7(H)
Weight	110g
Regulator Type	Switched Mode Power Supply

General Note

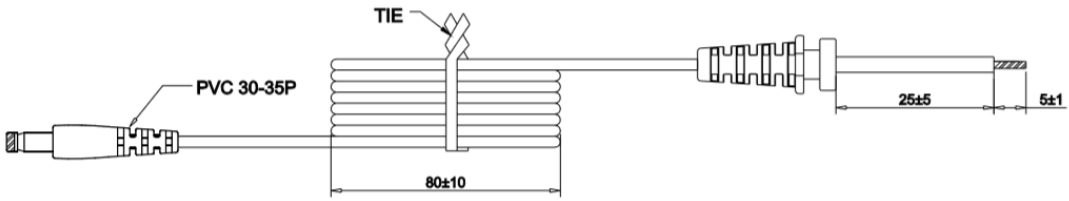
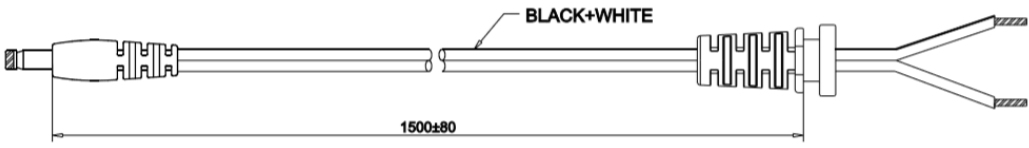
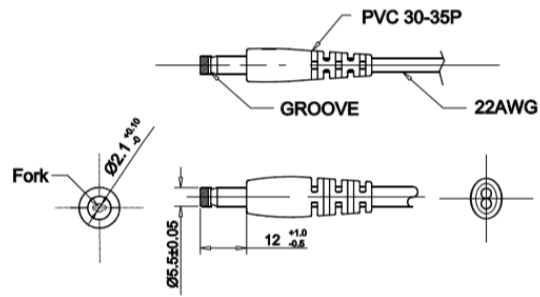
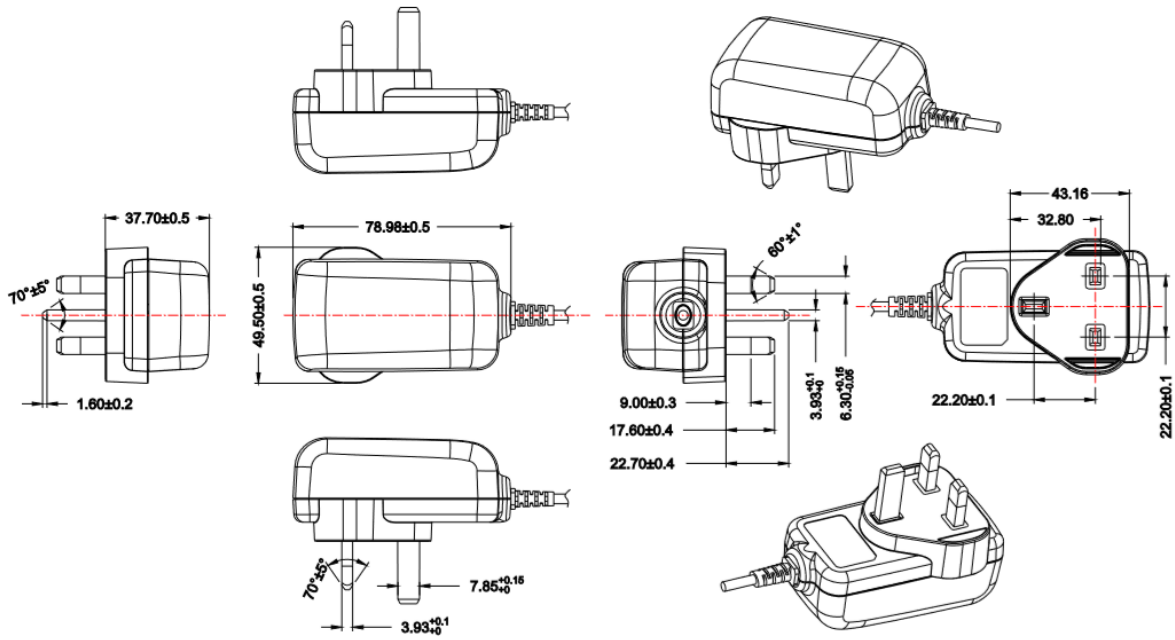
TT Electronics reserves the right to make changes in product specification without notice or liability. All information is subject to TT Electronics' own data and is considered accurate at time of going to print.

POWERPAX

TT Electronics IoT Solutions Ltd
Tofts Farm East, Brenda Road, Hartlepool, TS25 2BQ, UK
t: +44 (0) 1429 852 500

UNITED KINGDOM 3-PIN PLUG-IN POWER SUPPLY 12VDC 12WATT POWERPAX: SW4010G

Diagrams



General Note
TT Electronics reserves the right to make changes in product specification without notice or liability. All information is subject to TT Electronics' own data and is considered accurate at time of going to print.