

Dualslim Feedthrough Mini Displayport multicomp PRO

RoHS
Compliant



MP009041



MP009042



MP009043



MP009044



MP009045



MP009046

Description

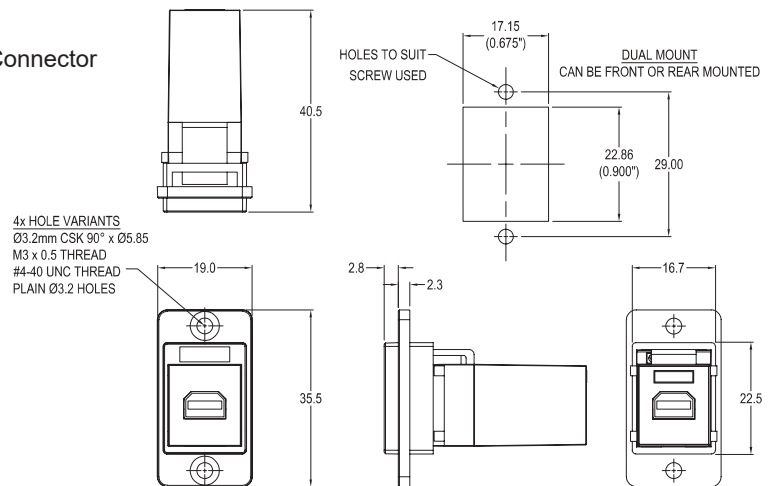
Dualslim Mini Displayport Metal Frame Feedthrough Connector

Features

- Fits standard rectangular cutout.
- Front or rear mounting through the panel.
- Various hole mounting options.
- No soldering or punch termination. Use standard cable for each connector style.
- Low rear profile.

Material

- Insert: ABS
- Frame: Zinc Diecast, Nickel or Black Plated
- Contacts: Gold Plated



Note: Functionality is affected by cable quality, length and cable wiring configuration.

Dimensions : Millimetres

Part Number Table

Description	Part Number
Dualslim Feedthrough Mini Displayport, Nickel Frame, CSK Holes	MP009041
Dualslim Feedthrough Mini Displayport, Nickel Frame, M3 Holes	MP009042
Dualslim Feedthrough Mini Displayport, Nickel Frame, #4-40 Holes	MP009043
Dualslim Feedthrough Mini Displayport, Black Metal Frame, CSK Holes	MP009044
Dualslim Feedthrough Mini Displayport, Black Metal Frame, M3 Holes	MP009045
Dualslim Feedthrough Mini Displayport, Black Metal Frame, #4-40 Holes	MP009046

Important Notice : This data sheet and its contents (the "Information") belong to the members of the AVNET group of companies (the "Group") or are licensed to it. No licence is granted for the use of it other than for information purposes in connection with the products to which it relates. No licence of any intellectual property rights is granted. The Information is subject to change without notice and replaces all data sheets previously supplied. The Information supplied is believed to be accurate but the Group assumes no responsibility for its accuracy or completeness, any error in or omission from it or for any use made of it. Users of this data sheet should check for themselves the Information and the suitability of the products for their purpose and not make any assumptions based on information included or omitted. Liability for loss or damage resulting from any reliance on the Information or use of it (including liability resulting from negligence or where the Group was aware of the possibility of such loss or damage arising) is excluded. This will not operate to limit or restrict the Group's liability for death or personal injury resulting from its negligence. Multicomp Pro is the registered trademark of Premier Farnell Limited 2019.

Newark.com/multicomp-pro
 Farnell.com/multicomp-pro
 sg.element14.com/b/multicomp-pro

multicomp PRO