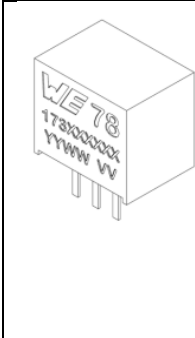
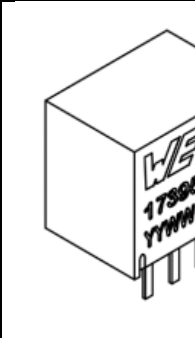
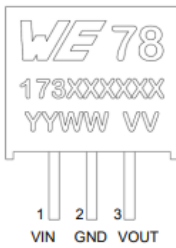
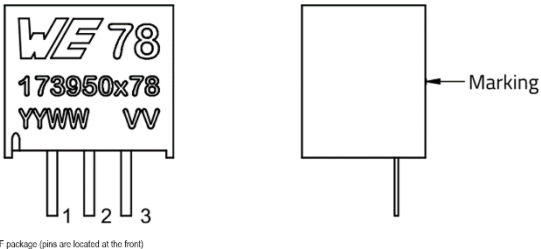
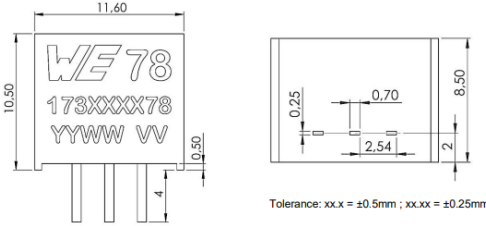
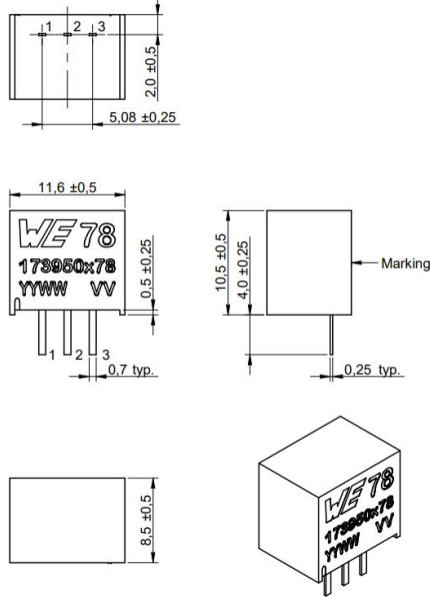


<b>Product / Process Change Notification (PCN)</b>	
<input checked="" type="checkbox"/> Major change <input type="checkbox"/> Minor change	
<p><b>PCN #:</b> PCN_WPME-FDSM_20220520_5</p> <p><b>Affected Series:</b> FDSM; 173950378, 173950578</p> <p><b>PCN Date:</b> February 21, 2022</p> <p><b>Effective Date:</b> May 20, 2022</p>	<p><b>Change Category:</b></p> <input type="checkbox"/> Equipment / Location <input checked="" type="checkbox"/> General Data <input type="checkbox"/> Material <input type="checkbox"/> Process <input type="checkbox"/> Product Design <input type="checkbox"/> Shipping / Packaging <input type="checkbox"/> Supplier <input type="checkbox"/> Software
<p><b>Contact:</b> Product Management</p> <p><b>Phone:</b> +49 (0) 7942 - 945 5001</p> <p><b>Fax:</b> +49 (0) 7942 - 945 5179</p> <p><b>E-Mail:</b> pcn.eisos@we-online.com</p>	<p><b>Data Sheet Change:</b></p> <input checked="" type="checkbox"/> Yes <input type="checkbox"/> No <p><b>Attachment:</b></p> <input checked="" type="checkbox"/> Yes <input type="checkbox"/> No
<p><b>Description and purpose of change:</b></p> <p>For the purpose of a datasheet information enlargement, Würth Elektronik has updated the internal content of the datasheet.</p> <p>This is a datasheet correction only. There will be no change in form, fit, function, quality or reliability of the product.</p>	
<p><b>Detail of Change:</b></p> <p>1. Updated front page drawing. (page 1)</p>	
<p style="text-align: center;">Before</p> 	<p style="text-align: center;">After</p> 

2. Updated pinout drawing to include pin 1 marking. (page 2)

Before	After
<p><b>PACKAGE</b></p> 	<p><b>PINOUT (PACKAGE TYPE F)</b></p> 

3. Updated physical dimensions drawings to include pin 1 marking. (page 37)

Before	After
<p><b>PHYSICAL DIMENSIONS</b></p>  <p>Tolerance: xx.x = ±0.5mm ; xx.xx = ±0.25mm</p>	<p><b>PHYSICAL DIMENSIONS</b></p> 

**Reliability / Qualification Summary:**

There will be no change of the product, therefore no additional reliability or qualification testing will be performed.