



## Description

10 step speaker volume control which is ideal for low/ moderate sound installations. The unit is suitable for flush mounting or surface mounting using the back box supplied.

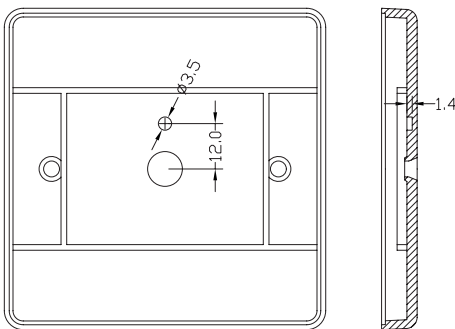
## Features

- 10 step attenuation (0 is Off)
- Screw type termination for speedy installation
- 35Hz to 20kHz Frequency response
- Can be flushed mounted into a 45mm deep 1G UK back box
- White plastic front panel and knob

## Specifications

Audio Power	: 50 watts rms / channel
Insulation Resistance	: 100MΩ Min. at 500V DC
Dielectric Withstanding Voltage	: 500V AC, 1 minute
Connector Wire Range	: 14AWG to 22AWG

## Diagram



Dimensions : Millimetres

## Part Number Table

Description	Part Number
50W Mono Auto Former Volume Control, White	PSG03180

**Important Notice** : This data sheet and its contents (the "Information") belong to the members of the AVNET group of companies (the "Group") or are licensed to it. No licence is granted for the use of it other than for information purposes in connection with the products to which it relates. No licence of any intellectual property rights is granted. The Information is subject to change without notice and replaces all data sheets previously supplied. The Information supplied is believed to be accurate but the Group assumes no responsibility for its accuracy or completeness, any error in or omission from it or for any use made of it. Users of this data sheet should check for themselves the Information and the suitability of the products for their purpose and not make any assumptions based on information included or omitted. Liability for loss or damage resulting from any reliance on the Information or use of it (including liability resulting from negligence or where the Group was aware of the possibility of such loss or damage arising) is excluded. This will not operate to limit or restrict the Group's liability for death or personal injury resulting from its negligence. pro-SIGNAL is the registered trademark of Premier Farnell Limited 2019.