

Specifications

Material

Insulator: High Temp. Resistant Plastic, UL 94V-0, Black
 Contact: Copper Alloy
 Shell: Stainless Steel
 Middle Plate: Stainless Steel

Plating

Contact: Gold Flash
 Shell: 30µ" min. Nickel
 Middle Plate: Clear

Electrical

Current Rating: 3.00A collectively for VBUS pins
 4.25A collectively for GND pins
 1.25A for A5/B5 pin

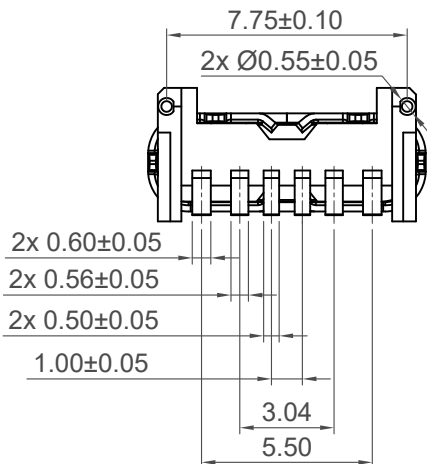
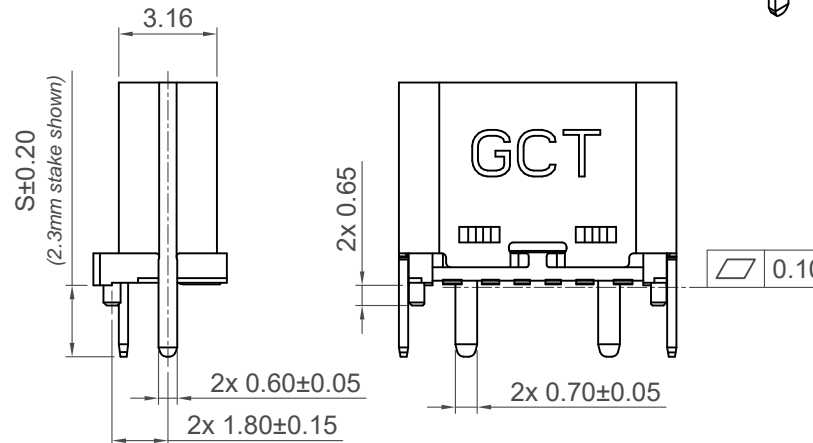
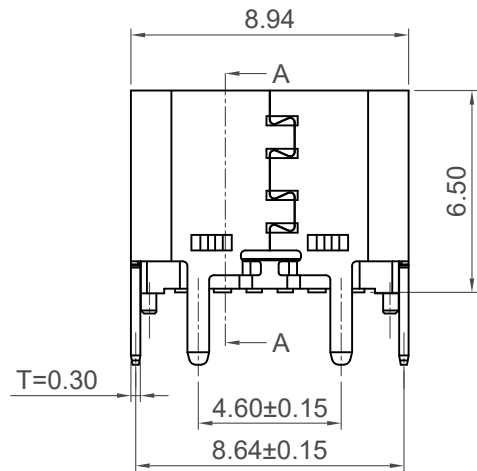
Voltage Rating: 20V DC

Contact Resistance: 40mΩ max initial.
 50mΩ max after test

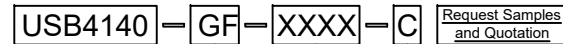
Dielectric Withstanding Voltage: 100V AC
 Insulation Resistance 100MΩ min

Mechanical & Environmental

Operating Temperature: -25°C to +85°C
 Mating Force: 5 to 20 N.
 Unmated Force: 6 to 20 N after test
 Durability: 10,000 cycles



Ordering Grid



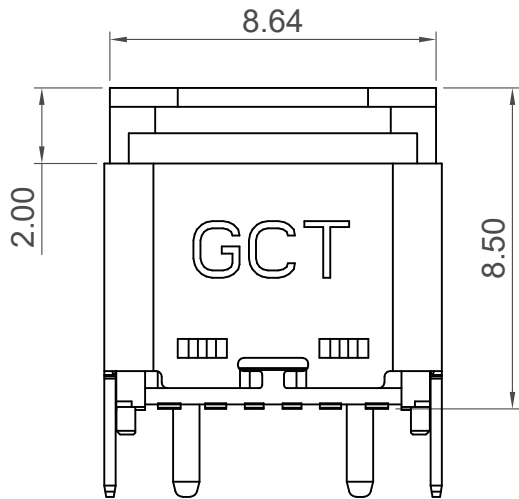
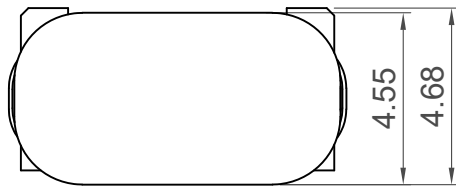
Contact Plating
 GF = Gold Flash

Packing Options
 C = Tape & Reel with Cap
 (400 per reel)

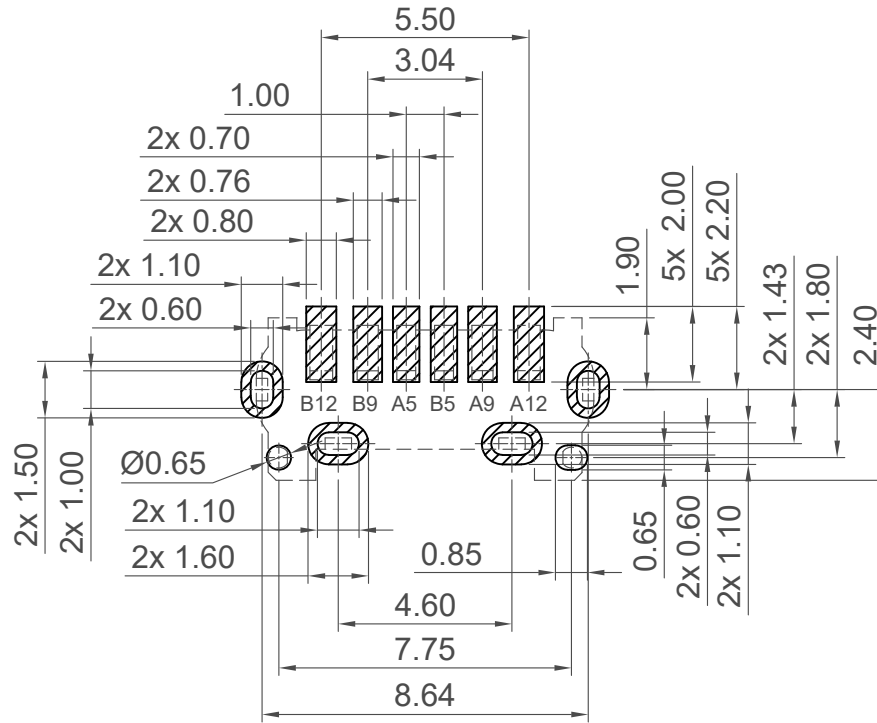
Shell Stake Length "S"

0070 = 0.70mm
 0170 = 1.70mm
 0230 = 2.30mm

Part Number USB4140		Product Description USB Type C Receptacle, Vertical, SMT, For Power charging only		 www.gct.co
Drawing Date 25th February 2022				
By Detail	CC Drawing Release	Tolerances (Except as Noted) Length Angle	Units: Metric (mm)	 This drawing is confidential and copyright of Global Connector Technology, Ltd (GCT). This drawing must not be copied or disclosed without written consent. E & OE
Revision Date	A 25/02/22	X.X ± 0.30 X.XX ± 0.20 X.XXX ± 0.10		
Not to Scale	Drawn By CC	Sheet No. 1/4		



Cap Information






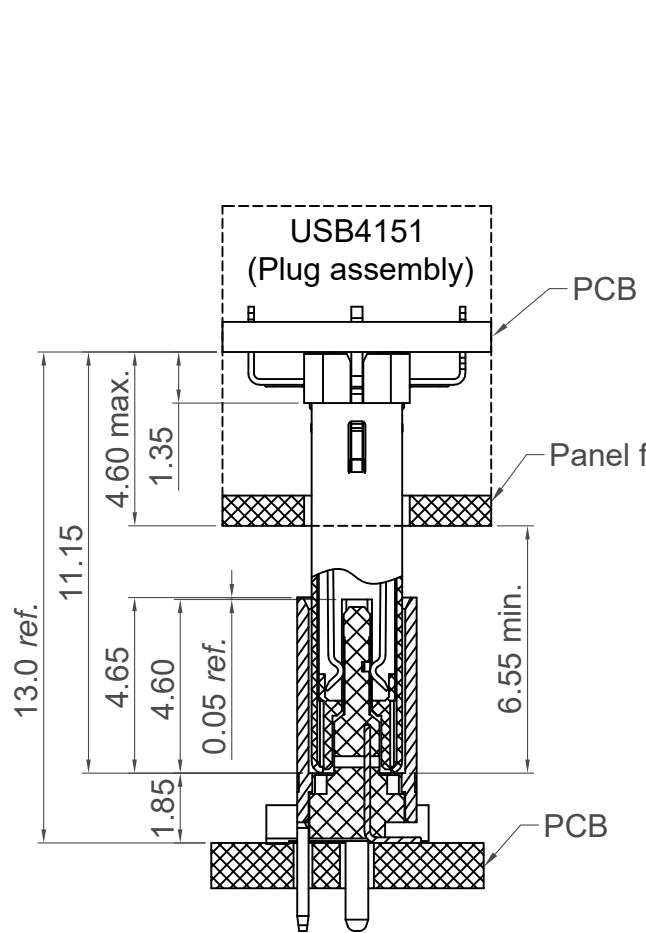
Recommended PCB Layout

Tolerance: $\pm 0.05\text{mm}$

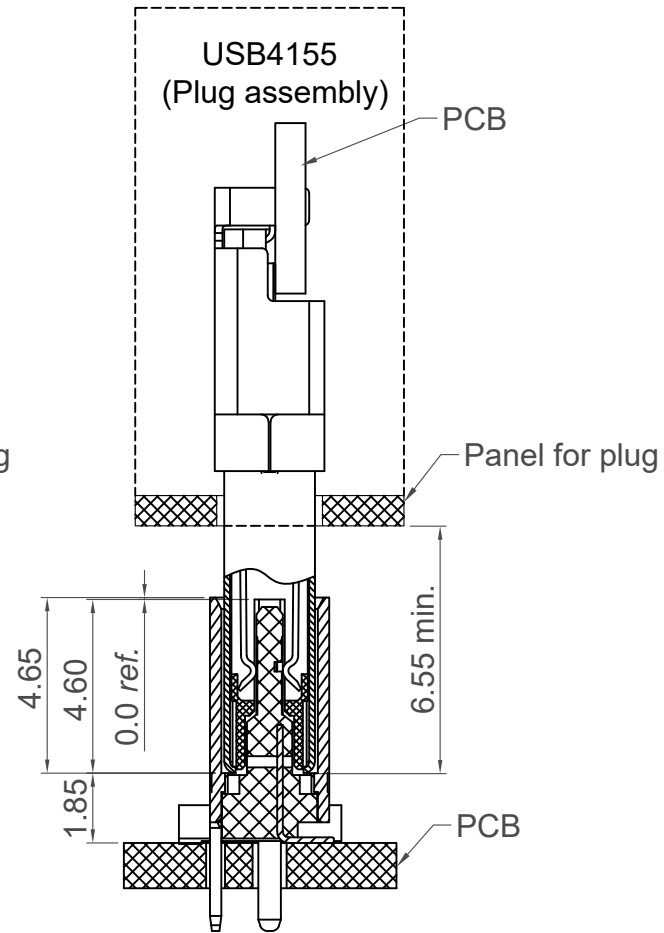
▨ Solder Area □ Component Outline

Pin	Signal	Mating Sequence
A5	CC1	Second
A9	V _{BUS}	First
A12	GND	First
B5	CC2	Second
B9	V _{BUS}	First
B12	GND	First
SHELL		GND

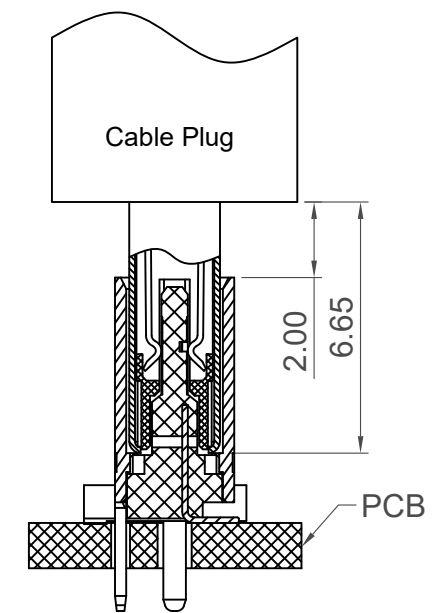
Part Number USB4140		Product Description USB Type C Receptacle, Vertical, SMT, For Power charging only		 www.gct.co
Drawing Date 25th February 2022				
By CC	Tolerances (Except as Noted)		Units: Metric (mm)	
Detail Drawing Release	X.X ± 0.30	Angle		This drawing is confidential and copyright of Global Connector Technology, Ltd (GCT). This drawing must not be copied or disclosed without written consent. E & OE
Revision A	X.XX ± 0.20	-		
Date 25/02/22	X.XXX ± 0.10			Not to Scale Drawn By CC Sheet No. 2/4



USB4140
(Receptacle assembly)



USB4140
(Receptacle assembly)

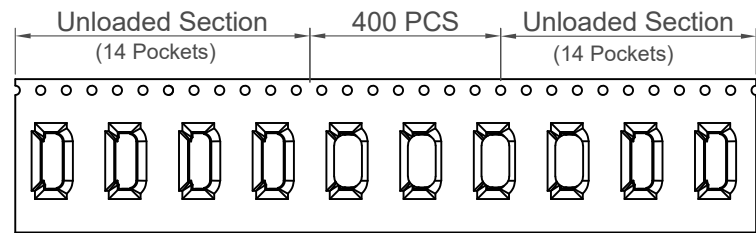


USB4140
(Receptacle assembly)

Plug and Receptacle Mating View

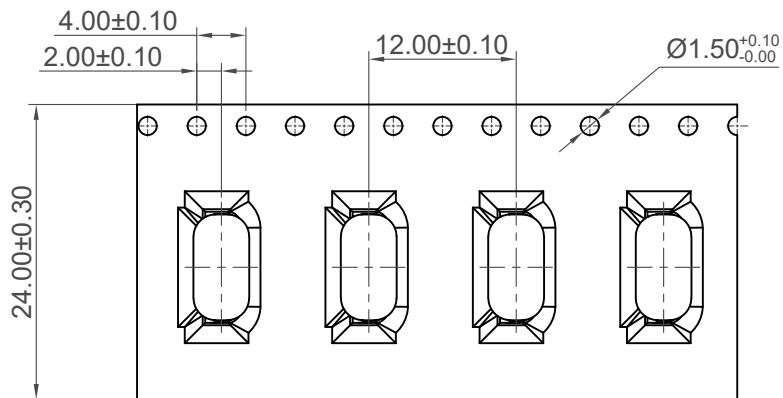
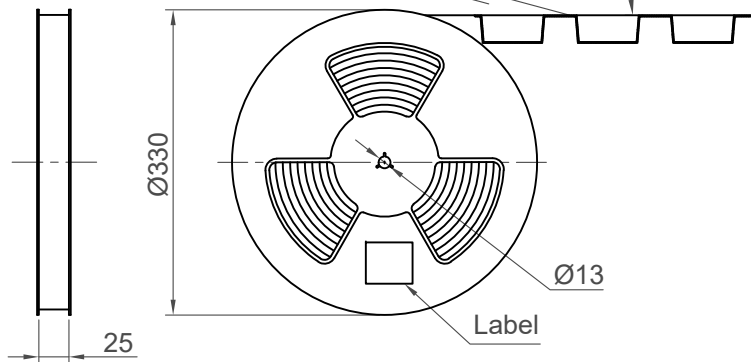
Part Number		Product Description	
USB4140		USB Type C Receptacle, Vertical, SMT, For Power charging only	
Drawing Date		25th February 2022	
By	CC	Tolerances (Except as Noted)	Units:
Detail	Drawing Release	Length X.X ± 0.30	Metric (mm)
Revision	A	Angle X.XX ± 0.20	
Date	25/02/22	X.XXX ± 0.10	
		3rd Angle Projection	
		This drawing is confidential and copyright of Global Connector Technology, Ltd (GCT). This drawing must not be copied or disclosed without written consent. E & OE	
Not to Scale	Drawn By CC	Sheet No. 3/4	



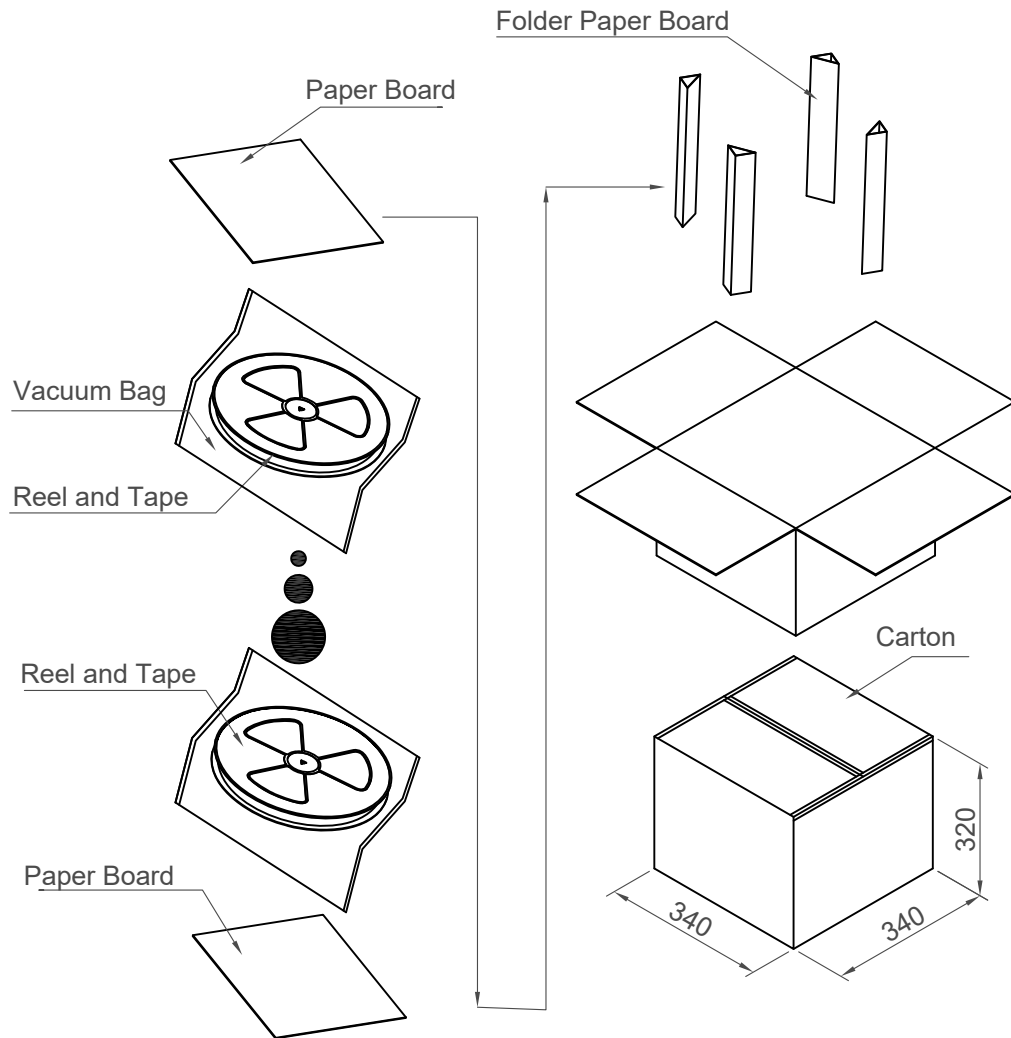


Direction of Unreeling →

Peeling Angle 165°~180°



Direction of Unreeling →



Pcs / Reel	Reels / Carton	Total Quantity
400	10	4,000 pcs

Part Number		Product Description	
USB4140		USB Type C Receptacle, Vertical, SMT, For Power charging only	
Drawing Date		25th February 2022	
By	CC	Tolerances (Except as Noted)	Units:
Detail	Drawing Release	Length	Metric (mm)
Revision	A	Angle	3rd Angle Projection
Date	25/02/22		



This drawing is confidential and copyright of Global Connector Technology, Ltd (GCT). This drawing must not be copied or disclosed without written consent. E & OE



Not to Scale Drawn By CC Sheet No. 4/4