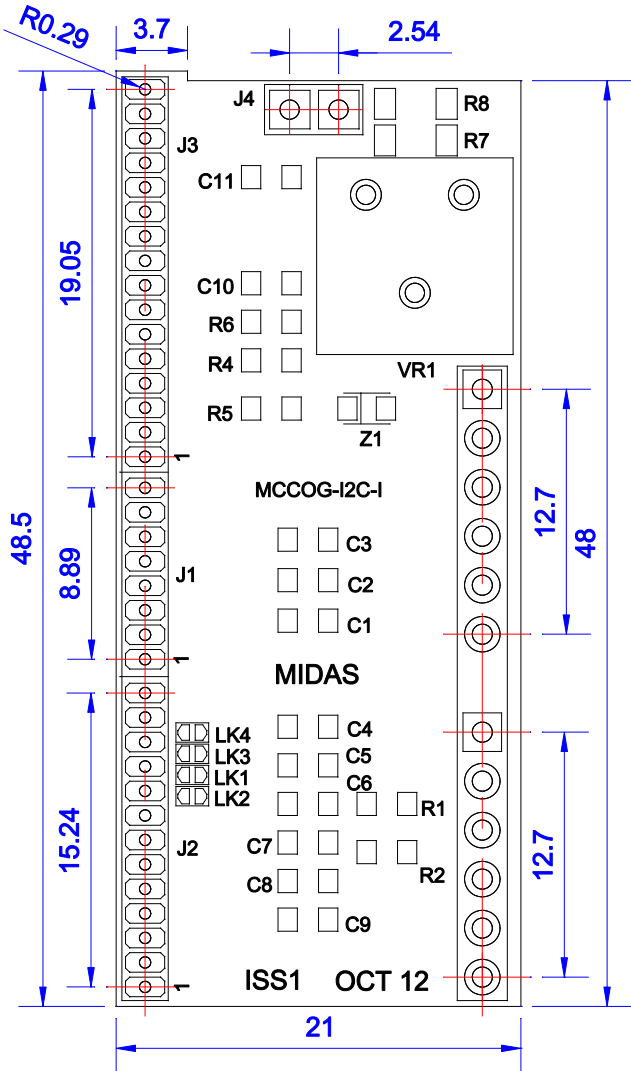
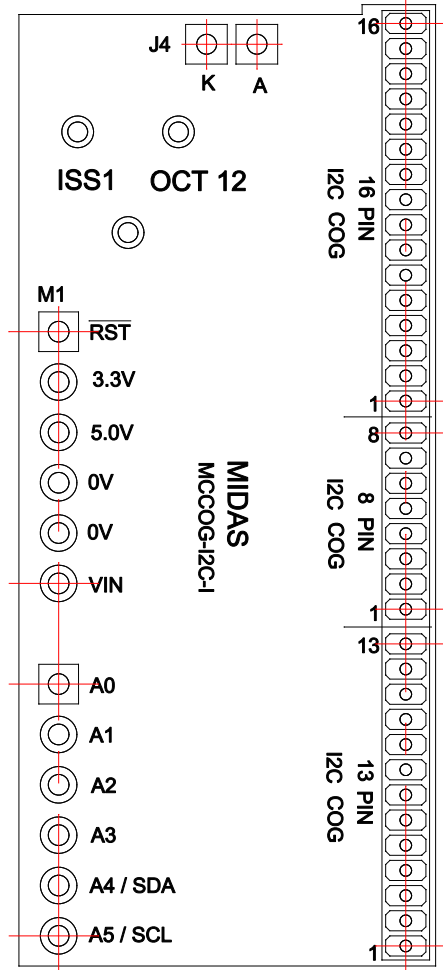


Mechanical Drawing:



(Front)



(Back)

***Note all measurements are in mm and all holes are 0.5mm in radius unless stated otherwise.**