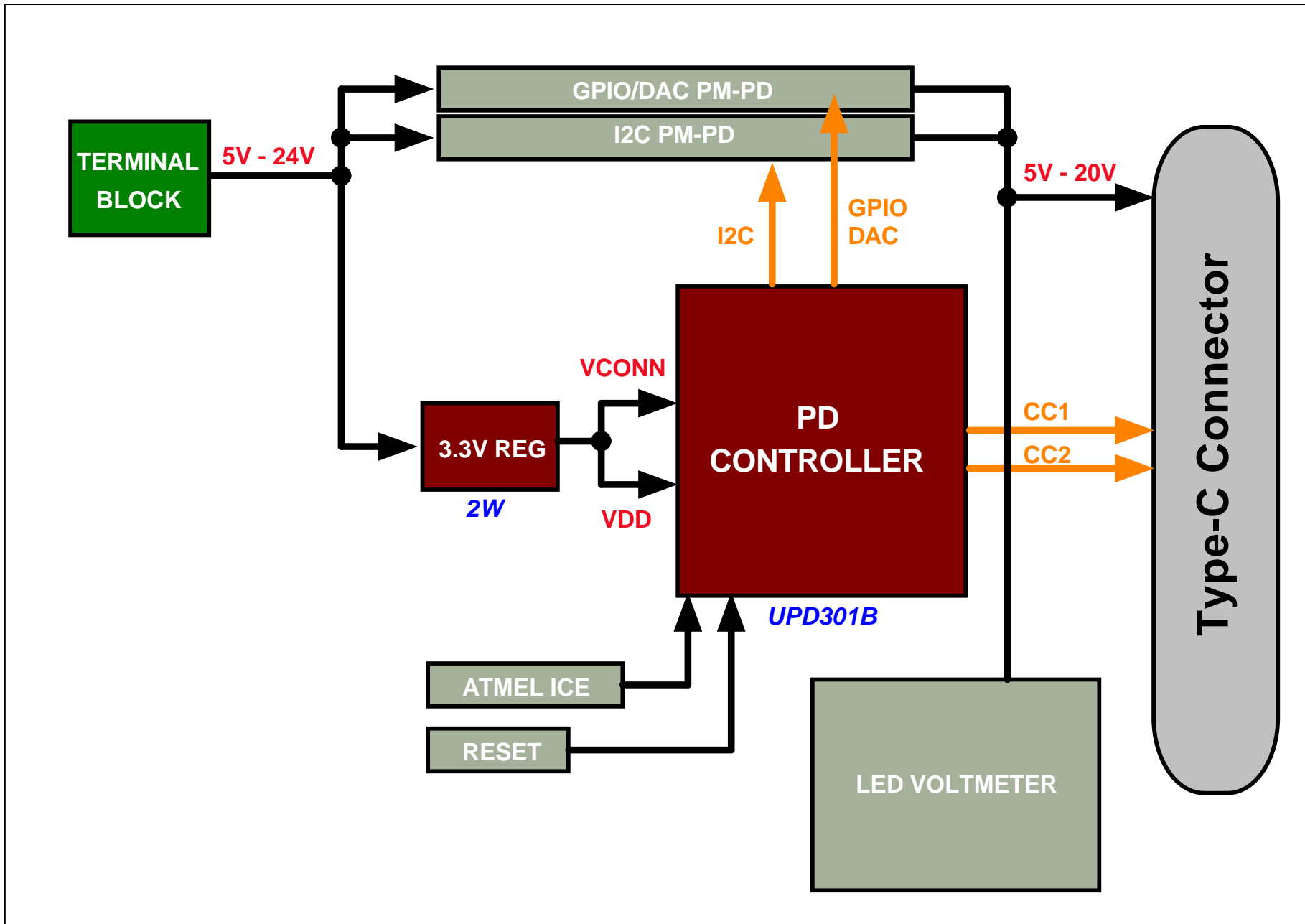


UPD301B Basic Source Application Example

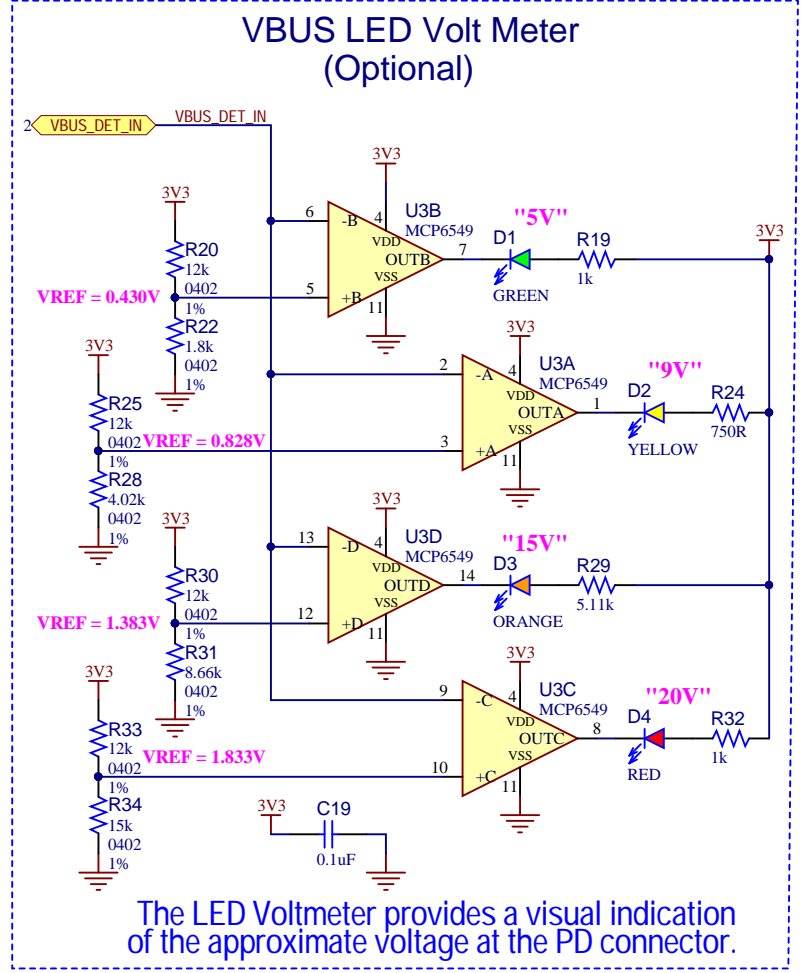
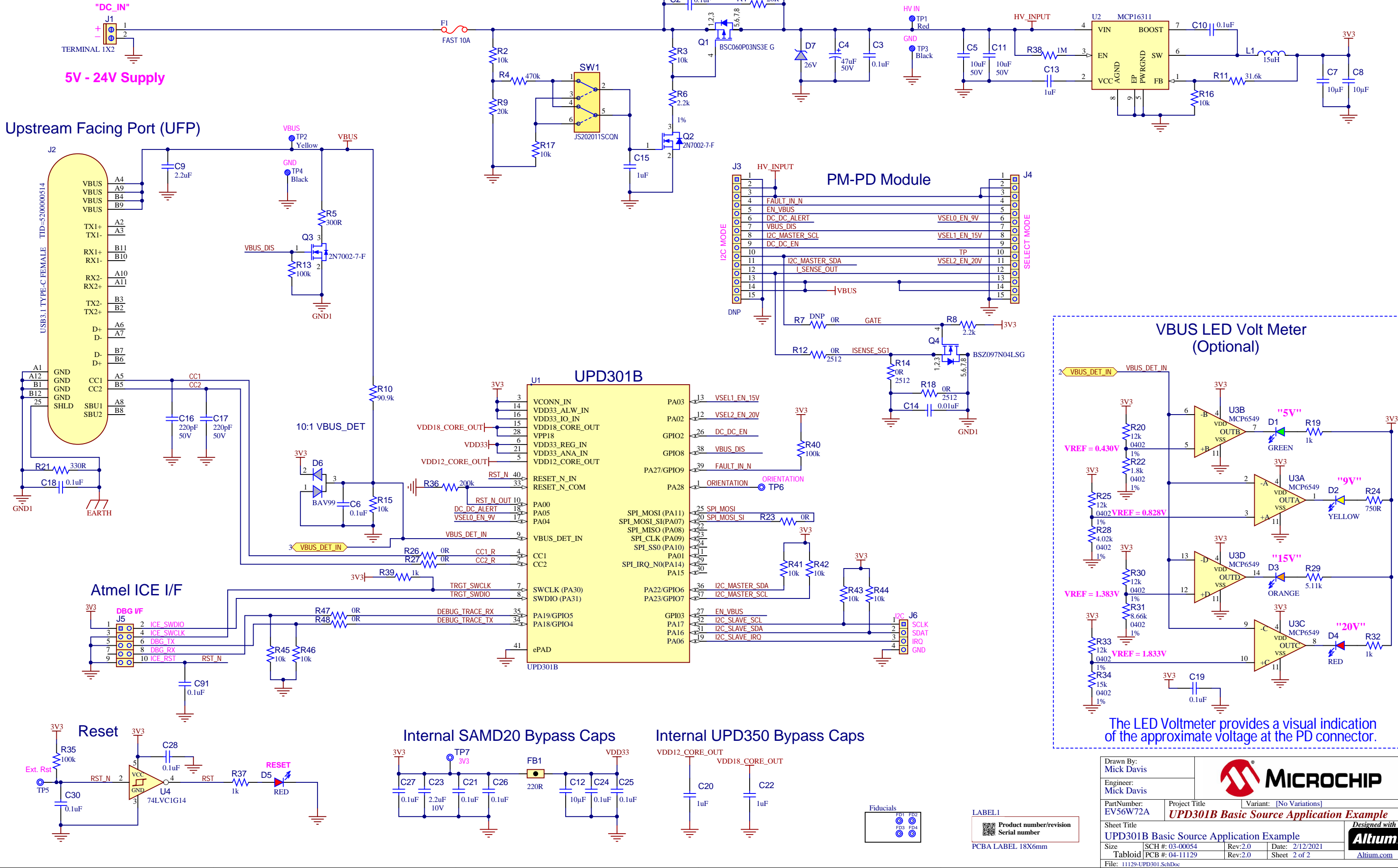
| Table of Contents | |
|-------------------|--|
| Sheet | Description |
| 1 | Table of Contents and Block Diagram |
| 2 | UPD301B Basic Source Application Example |

| Revision History | | | |
|------------------|------------|------------------------------|------------|
| Revision | Date | Revision Summary | Author |
| R1.0 | 04/16/2020 | Release for Schematic Review | Mick Davis |
| R2.0 | 08/14/2020 | Added 5x2 Debug Header | Mick Davis |



| Notes | |
|-------|---|
| 01 | All resistors to have +/- 1% tolerance. |

UPD301B Basic Source Application Example



| | | |
|---|--|--------------------------|
| Drawn By: Mick Davis | | |
| Engineer: Mick Davis | | |
| PartNumber: EV56W72A | Project Title UPD301B Basic Source Application Example | Variant: [No Variations] |
| Sheet Title UPD301B Basic Source Application Example | | |
| Size Tabloid | SCH #: 03-00054 Rev:2.0 | Date: 2/12/2021 |
| File: 11129-UPD301.SchDoc | PCB #: 04-11129 Rev:2.0 | Sheet 2 of 2 |

