

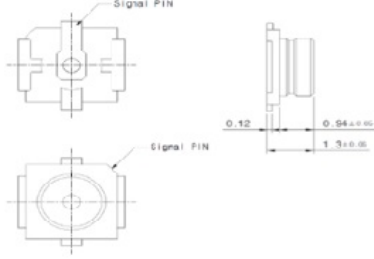
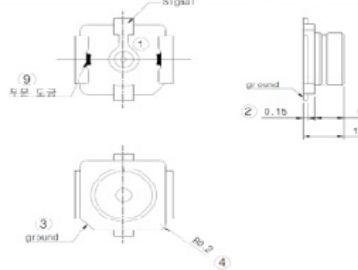
Date Issued :	April 01, 2022	PCN Number :	511407
Reason for Change :	Capacity change or tool replacement		
Description of Change :	Current tooling will be EOL in 2022 and increase capacity output per customers' request. Need new tooling to support		
Reason for Short Notice :	Capacity Increase		
Assessment of Change :	Reliability Test Report/s		
Planned Implementation Date :	July 15, 2022		
Sample Availability Date:	March 01, 2022		
Internal Molex Qualification Date :	March 01, 2022		
Last date to request Samples by Customer :	May 02, 2022		
Traceability Code Markings / Date :	Date code		

Before Picture

Overview

- Current tooling will be EOL in 2022 and increase capacity output per customers' request. Need new tooling to support.

1. Dimension and Shape Change

As-is	Before	To-be	After
			
	<ul style="list-style-type: none"> #1: PIN shape change #2: Height decrease #3: Signal direction in reverse #4: R shape added 		<ul style="list-style-type: none"> #5: Dimension of Insulator+BODY decrease(-0.04) #6: CMU total height decrease(-0.05) #9: Partial plating applied from the entire plating

After Picture

2. Raw Material Change

	As-is Before	To-be After
BODY	<ul style="list-style-type: none"> · Material : Phosphor Bronze (C5210), 0.12t · Plating <ul style="list-style-type: none"> - Plating : Ni (More than 1~4um) - Final plating: Au (Flash) 	<ul style="list-style-type: none"> · Material : Phosphor Bronze (C5191) , 0.15t · Plating <ul style="list-style-type: none"> - Plating : Ni (More than 1um) - Final plating : Au (flash)
Insulator	<ul style="list-style-type: none"> · Material : LCP GA130 · Color : Natural 	<ul style="list-style-type: none"> · Material : LCP E6808 UHF · Color : White

- **Product Impact**
 - Materials and dimensions change
 - No impact to fit, form and function, compared with current tooling.
- **Part Number Impact**
 - List series number or part numbers or state "see attached impacted parts list"
- **Qualification report and samples available upon request after the date shown above**

RELEASED

You may address inquires regarding this PCN by clicking on the below link
mailto:pcn_coordinator@molex.com?subject=PCN_Notification:511407
 or contact your Local Sales Engineer.

Note: While responding, please retain " PCN Notification : **PCN Notification: 511407** " in the e-mail Subject line for faster response.

[Molex, LLC](#)
 2222 Wellington Court
 Lisle, IL 60532
 TEL (800) 786-6539
www.molex.com