

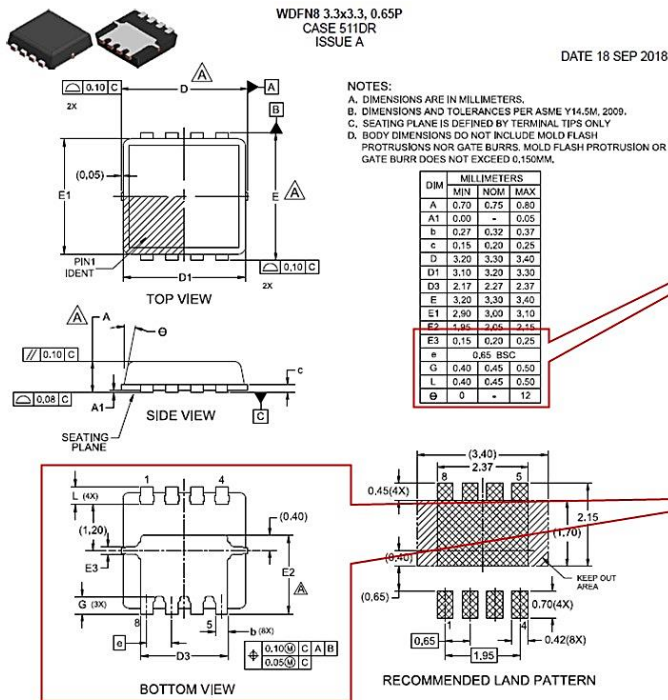
Title of Change:	MLP33 Case Outline Lead Length "L" and Lead DAP Length "G" Dimension Tolerance Change
Effective date:	01 Apr 2022
Contact information:	Contact your local onsemi Sales Office or Godfrey.Valles@onsemi.com
Type of notification:	This Product Bulletin is for notification purposes only. onsemi will proceed with implementation of this change upon publication of this Product Bulletin.
Change Category:	Documentation
Change Sub-Category(s):	Datasheet/Product Doc change

Sites Affected:

onsemi Sites	External Foundry/Subcon Sites
None	None

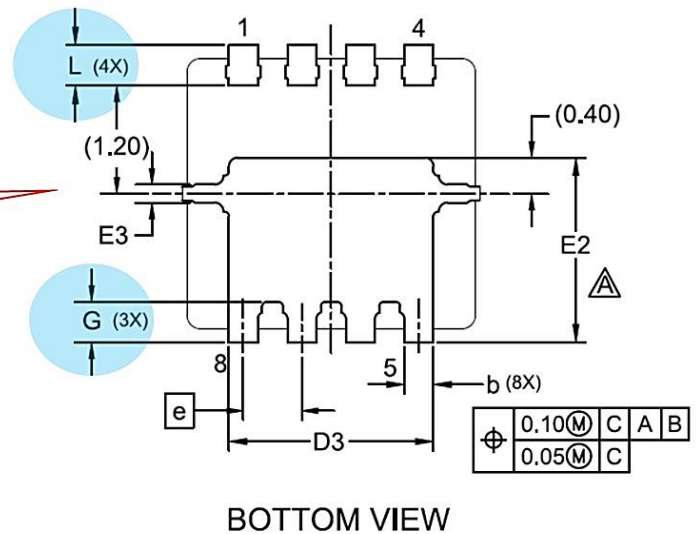
Description and Purpose:

Changed Lead Length (dimension L) and Lead DAP Length (dimension G) to 0.40 +/- 0.10 mm (using JEDEC Standard Tolerance) of 511DR Case Outline. For Reference Case Outline/Dimension Alignment.

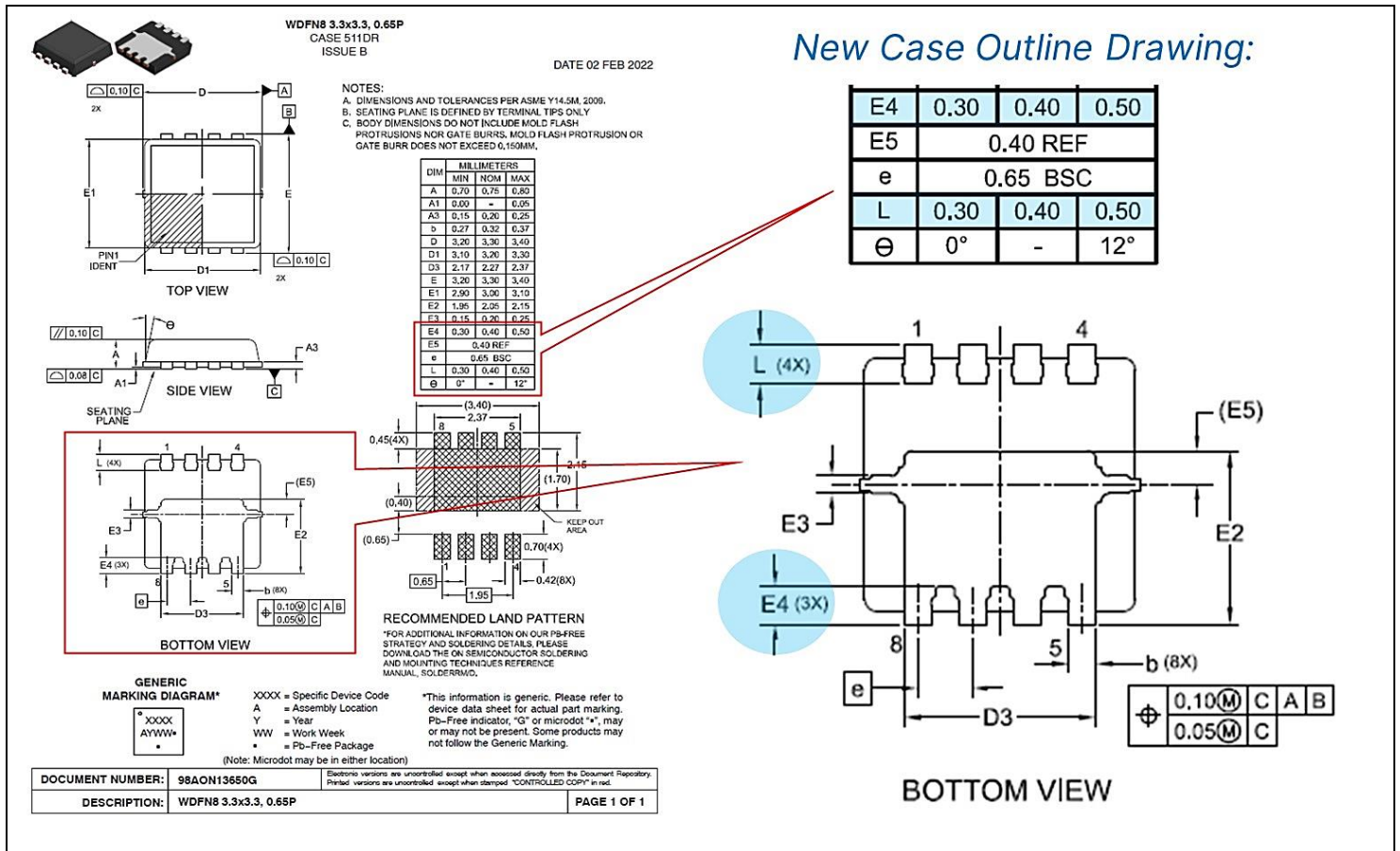


Old Case Outline Drawing:

E3	0.15	0.20	0.25
e	0.65 BSC		
G	0.40	0.45	0.50
L	0.40	0.45	0.50
Ø	0	-	12



DOCUMENT NUMBER:	98AON13650G	Electronic versions are uncontrolled except when accessed directly from the Document Repository. Printed versions are uncontrolled except when stamped "CONTROLLED COPY" in red.
DESCRIPTION:	WDFN8 3.3x3.3, 0.65P	PAGE 1 OF 1



List of Affected Standard Parts:

Note: Only the standard (off the shelf) part numbers are listed in the parts list. Any custom parts affected by this PCN are shown in the customer specific PCN addendum in the PCN email notification, or on the [PCN Customized Portal](#).

FDMC86106LZ-P	FDMC3612	FDMC86106LZ
FDMC86116LZ	FDMC86244	FDMC8015L
FDMC8327L	FDMC4435BZ	FDMC0310AS-F127
FR014H5JZ	FDMC8882	FDMC7696
FDMC7678	FDMC6675BZ-P	FDMC6675BZ
FDMC4435BZ-F127	FDMC8622	