

Product type plug

Product NO. SAC3FCA

Customer

	(APPROVAL)	(AUDIT)	(COMPILE)
Manufacturer			

	(APPROVAL)	(AUDIT)	(ACCEPT)
(Customer)			

(Product Appearance)



(Product features)

- ✔ (Quick, simple locking system)
- ✔ (Connect reliably)
- ✔ (Small size of product)

(Technical parameters)

1. (Electrical parameters)

(Contacts NO.)	2+PE
(Rated current)	20A
(Rated voltage)	250V AC
(Contact resistance)	$\leq 5\text{m}\Omega$
(Dielectric strength)	4000V DC
(Insulation resistance)	$> 1000\text{M}\Omega$

2. (Mechanical parameters)

(Service life)	> 1000
(Power lin)	2.5mm ² (8mm -12mm)
(Wire stripping length)	7-8mm
(Type of teminals)	screw type terminals

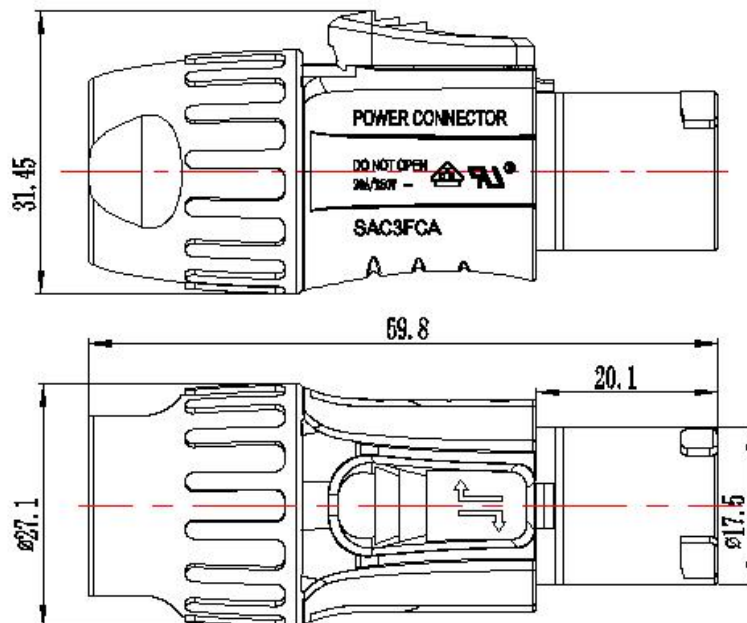
3. 材料和环境 (Material and environmental parameters)

(Shell)	PA
(Contacts)	Cu alloy
(Contact surface)	Ag
(Flame-retardant grade)	UL94-V0
(Temperature range)	-30°C to +80°C

4. (Standard)

(Standard)	IEC61984
------------	----------

(Product Profile)



(Installation instructions)

