

EXTERNAL DESKTOP POWER SUPPLY

12VDC 288WATT



PowerPax: SW4604B

Features:

- Universal Input
- IEC-320-C14 Input Connector
- 3 Year Warranty
- Efficiency Level VI
- Safety approved to: UL,CUL,FCC,GS,CE,RCM



Description:

Our of 288 Watt AC/DC switch mode power supplies provide 288 Watts of continuous output power in a high quality compact enclosure suitable for many general power applications.

Specification	
Part Number	SW4604B
Input Voltage Range	100 → 240 Vac
Input Frequency Range	50 → 60Hz
Input Connector	Standard 3 pin IEC C14 input connector
Input Current Rated	3.9A Max.
Inrush Current	150 A Max. / 230 Vac (Cold start at 25°C, full load)
Efficiency	87% Min
Input Power (Output: No Load)	<0.5 W (At 230Vac & No load)
Output Voltage Rating	12Vdc
Output Current Range	0-24A Max.
Output Min Current	0.05A
Output Connection Type	Terminal block
Line and Load Regulation	±5%
Over Voltage Protection	V out * 150% Max.
Over Load Protection	I out * 150% Max.
Short Circuit Protection	Latch protection
Ripple Voltage	240mV
Hi-Pot	3000Vac 10mA 1min
Safety Approved	UL,CUL,GS,PSE,BSMI
EMI Standard	FCC Class B, CE
Operating Temperature Range	0°C → +40°C
Storage Temperature	-20°C → 80°C
Operating Humidity	20% to 80%
Storage Humidity	10% to 90%
Dimensions	254(L) x 116(W) x 47(H) mm
Product Weight	1600 g
Regulator Type	Switched Mode Power Supply

General Note

TT Electronics reserves the right to make changes in product specification without notice or liability. All information is subject to TT Electronics' own data and is considered accurate at time of going to print.

POWERPAX

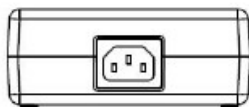
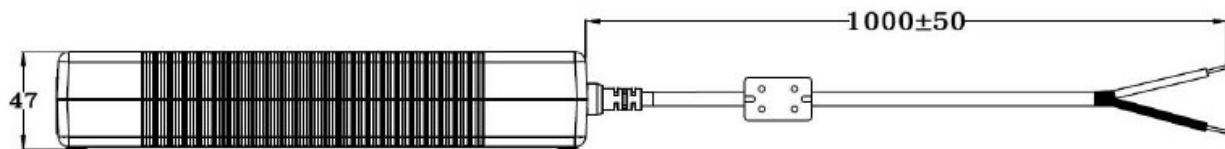
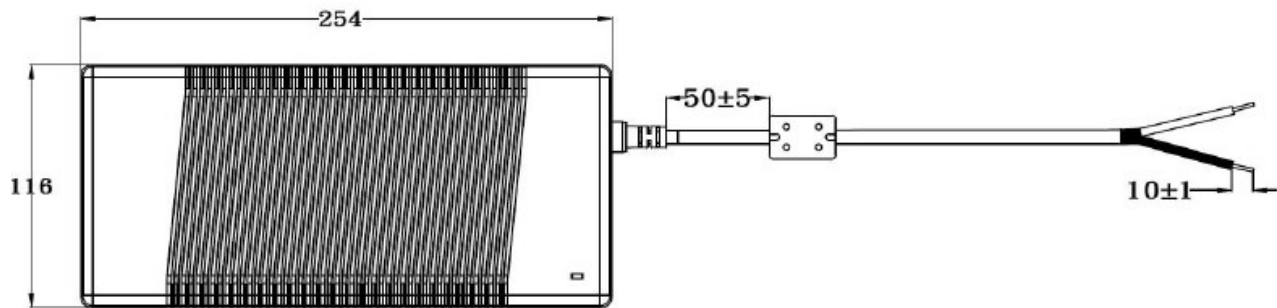
TT Electronics IoT Solutions Ltd
Tofts Farm East, Brenda Road, Hartlepool, TS25 2BQ, UK
t: +44 (0) 1429 852 500

EXTERNAL DESKTOP POWER SUPPLY

12VDC 288WATT

PowerPax: SW4604B

Diagrams



FRONT-VIEW

General Note

TT Electronics reserves the right to make changes in product specification without notice or liability. All information is subject to TT Electronics' own data and is considered accurate at time of going to print.

POWERPAX

TT Electronics IoT Solutions Ltd
Tofts Farm East, Brenda Road, Hartlepool, TS25 2BQ, UK
t: +44 (0) 1429 852 500