



## Product Change Notification / SYST-13CKLA508

---

### Date:

18-Apr-2022

### Product Category:

Clock and Timing - Clock and Data Distribution

### PCN Type:

Document Change

### Notification Subject:

Data Sheet - SY100ELT23 - Dual Differential PECL-to-TTL Translator Revision

### Affected CPNs:

[SYST-13CKLA508\\_Affected\\_CPN\\_04182022.pdf](#)

[SYST-13CKLA508\\_Affected\\_CPN\\_04182022.csv](#)

### Notification Text:

SYST-13CKLA508

Microchip has released a new Product Documents for the SY100ELT23 - Dual Differential PECL-to-TTL Translator of devices. If you are using one of these devices please read the document located at [SY100ELT23 - Dual Differential PECL-to-TTL Translator](#)

**Notification Status:** Final

**Description of Change:**1. Corrected the description for Pins 1 and 2 in Table 2-1.

**Impacts to Data Sheet:** See above details.

**Reason for Change:** To Improve Productivity

**Change Implementation Status:** Complete

**Date Document Changes Effective:** 18 April 2022

**NOTE:** Please be advised that this is a change to the document only the product has not been changed.

**Markings to Distinguish Revised from Unrevised Devices:** N/A

## Attachments:

[SY100ELT23 - Dual Differential PECL-to-TTL Translator](#)

Please contact your local [Microchip sales office](#) with questions or concerns regarding this notification.

## Terms and Conditions:

If you wish to receive Microchip PCNs via email please register for our PCN email service at our [PCN home page](#) select register then fill in the required fields. You will find instructions about registering for Microchips PCN email service in the [PCN FAQ](#) section.

If you wish to change your PCN profile, including opt out, please go to the [PCN home page](#) select login and sign into your myMicrochip account. Select a profile option from the left navigation bar and make the applicable selections.

Affected Catalog Part Numbers (CPN)

SY100ELT23LZG

SY100ELT23ZG

SY100ELT23LZG-TR

SY100ELT23ZG-TR

## Dual Differential PECL-to-TTL Translator

### Features

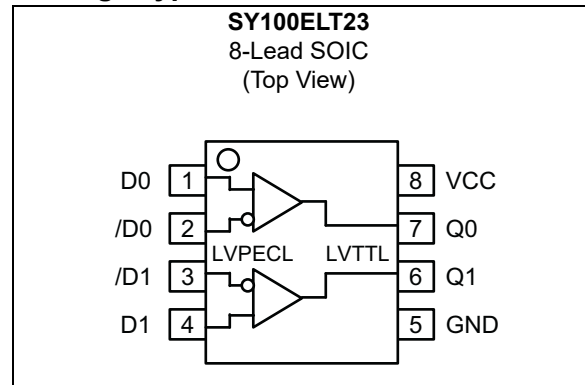
- 3.0 ns Typical Propagation Delay
- <300 ps Typical Within-Device Skew
- Differential PECL Inputs
- 24 mA TTL Outputs
- Flow-Through Pinouts
- Internal Input 50 kΩ Pull-Down Resistors
- Available in 8-Lead SOIC Package

### General Description

The SY100ELT23 is a dual differential PECL-to-TTL translator. Because PECL (positive ECL) levels are used, only +5V and ground are required. The small outline 8-lead SOIC package and low skew, dual gate design make the ELT23 ideal for applications that require the translation of a clock or data signal.

The ELT23 is compatible with positive ECL 100K logic levels.

### Package Type



# SY100ELT23

## 1.0 ELECTRICAL CHARACTERISTICS

### Absolute Maximum Ratings †

|   |                                |
|---|--------------------------------|
| Power Supply Voltage ( $V_{CC}$ )                     | -0.5V to +7.0V                 |
| PECL Input Voltage ( $V_{IN}$ )                       | 0V to $V_{CC}+0.5V$            |
| Voltage Applied to Output at High State ( $V_{OUT}$ ) | -0.5V to +5.5V                 |
| Current Applied to Output at Low State ( $I_{OUT}$ )  | Twice the Rated $I_{OL}$ in mA |

† **Notice:** Permanent device damage can occur if absolute maximum ratings are exceeded. This is a stress rating only and functional operation is not implied at conditions other than those detailed in the operational sections of this data sheet. Exposure to absolute maximum rating conditions for extended periods may affect device reliability.

### TTL DC ELECTRICAL CHARACTERISTICS [Note 1](#)

| Electrical Characteristics: $V_{CC} = V_{CC} (\text{Min.})$ to $V_{CC} (\text{Max.})$ ; Values valid from $-40^{\circ}\text{C}$ to $+85^{\circ}\text{C}$ unless otherwise noted. |          |      |      |      |       |                            |
|--|----------|------|------|------|-------|----------------------------|
| Parameter  | Symbol   | Min. | Typ. | Max. | Units | Conditions                 |
| Power Supply Current   | $I_{CC}$ | —    | —    | 30   | mA    | —                          |
| Output High Voltage  | $V_{OH}$ | 2.5  | —    | —    | V     | $I_{OH} = -3.0 \text{ mA}$ |
|  |          | 2.0  | —    | —    |       | $I_{OH} = -15 \text{ mA}$  |
| Output Low Voltage   | $V_{OL}$ | —    | —    | 0.5  | V     | $I_{OL} = 24 \text{ mA}$   |
| Output Short Circuit Current   | $I_{OS}$ | -200 | —    | -80  | mA    | $V_{OUT} = 0V$             |

**Note 1:** Parametric values specified at 5V power supply range for ELT23 series: +4.5V to +5.5V.

### PECL DC ELECTRICAL CHARACTERISTICS [Note 1](#)

| Electrical Characteristics: $V_{CC} = V_{CC} (\text{Min.})$ to $V_{CC} (\text{Max.})$ ; Values valid from $-40^{\circ}\text{C}$ to $+85^{\circ}\text{C}$ unless otherwise noted. |           |      |      |          |               |                        |
|--|-----------|------|------|----------|---------------|------------------------|
| Parameter  | Symbol    | Min. | Typ. | Max.     | Units         | Conditions             |
| Input High Current   | $I_{IH}$  | —    | —    | 150      | $\mu\text{A}$ | —                      |
| Input Low Current  | $I_{IL}$  | 0.5  | —    | —        | $\mu\text{A}$ | —                      |
| Common Mode Range  | $V_{CMR}$ | 2.2  | —    | $V_{CC}$ | V             | —                      |
| Input High Voltage   | $V_{IH}$  | 3835 | —    | 4120     | mV            | <a href="#">Note 2</a> |
| Input Low Voltage  | $V_{IL}$  | 3190 | —    | 3525     | mV            | <a href="#">Note 2</a> |

**Note 1:** Parametric values specified at 5V power supply range for ELT23 series: +4.5V to +5.5V.

**2:** These values are for  $V_{CC} = 5.0V$ . Level specifications will vary 1:1  $V_{CC}$ .

## AC ELECTRICAL CHARACTERISTICS

**Electrical Characteristics:**  $V_{CC} = V_{CC} \text{ (Min.) to } V_{CC} \text{ (Max.)}$ ; Values valid from  $-40^{\circ}\text{C}$  to  $+85^{\circ}\text{C}$  unless otherwise noted.

| Parameter                            | Symbol             | Min. | Typ. | Max. | Units | Condition   |
|--------------------------------------|--------------------|------|------|------|-------|---|
| Maximum Input Frequency              | $f_{MAX}$          | 160  | —    | —    | MHz   | $C_L = 50 \text{ pF}$   |
| Propagation Delay D to Output Q      | $t_{PLH}, t_{PHL}$ | 2.5  | 3.0  | 3.5  | ns    | $C_L = 50 \text{ pF}$   |
| Part-to-Part Skew                    | $t_{SKPP}$         | —    | —    | 0.5  | ns    | $C_L = 50 \text{ pF}$ , <a href="#">Note 2</a> , <a href="#">Note 5</a> |
| Within-Device Skew                   | $t_{SKEW++}$       | —    | —    | 0.3  | ns    | $C_L = 50 \text{ pF}$ , <a href="#">Note 3</a> , <a href="#">Note 5</a> |
|                                      | $t_{SKEW--}$       | —    | —    |      |       | $C_L = 50 \text{ pF}$ , <a href="#">Note 4</a> , <a href="#">Note 5</a> |
| Input Swing                          | $V_{PP}$           | 200  | —    | 1000 | mV    | <a href="#">Note 6</a>  |
| Output Rise/Fall Time (1.0V to 2.0V) | $t_r/t_f$          | —    | —    | 1.5  | ns    | $C_L = 50 \text{ pF}$   |

- Note 1:** Parametric values specified at 5V power supply range for ELT23 series: +4.5V to +5.5V.
- 2:** Part-to-Part skew considering High-to-High transitions at common  $V_{CC}$  level
- 3:** Within-Device skew considering High-to-High transitions at common  $V_{CC}$  level.
- 4:** Within-Device skew considering Low-to-Low transitions at common  $V_{CC}$  level.
- 5:** All skew parameters are guaranteed, but not tested.
- 6:** Input swing for which AC parameters are guaranteed. 200 mV input guarantees full logic at output.

## TEMPERATURE SPECIFICATIONS

| Parameters                    | Symbol | Min. | Typ. | Max. | Units              | Conditions         |
|-------------------------------|--------|------|------|------|--------------------|--------------------|
| <b>Temperature Ranges</b>     |        |      |      |      |                    |                    |
| Ambient Operating Temperature | $T_A$  | -40  | —    | +85  | $^{\circ}\text{C}$ | —                  |
| Storage Temperature           | $T_S$  | -65  | —    | +150 | $^{\circ}\text{C}$ | —                  |
| Lead Temperature              | —      | —    | —    | +260 | $^{\circ}\text{C}$ | Soldering, 20 sec. |

## TRUTH TABLE

| D    | /D   | Q |
|------|------|---|
| L    | H    | L |
| H    | L    | H |
| Open | Open | L |

# SY100ELT23

---

---

## 2.0 PIN DESCRIPTIONS

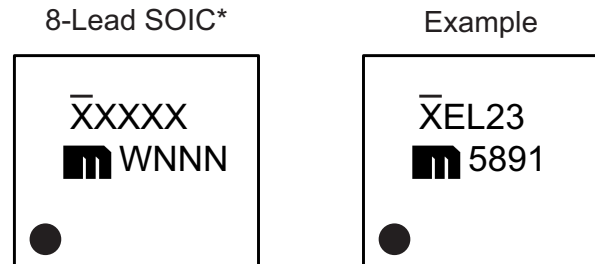
The descriptions of the pins are listed in [Table 2-1](#).

**TABLE 2-1: PIN FUNCTION TABLE**

| Pin Number | Pin Name | Description               |
|------------|----------|---------------------------|
| 1, 2       | D0, /D0  | Differential PECL Inputs. |
| 4, 3       | D1, /D1  | Differential PECL Inputs. |
| 5          | GND      | Ground.                   |
| 7, 6       | Q0, Q1   | TTL Outputs.              |
| 8          | VCC      | +5.0V Supply.             |

## 3.0 PACKAGING INFORMATION

### 3.1 Package Marking Information



|                |  |  |
|----------------|--|--|
| <b>Legend:</b> | XX...X   | Product code or customer-specific information  |
|                | Y  | Year code (last digit of calendar year)  |
|                | YY   | Year code (last 2 digits of calendar year)   |
|                | WW   | Week code (week of January 1 is week '01')   |
|                | NNN  | Alphanumeric traceability code   |
|                | (e3)   | Pb-free JEDEC® designator for Matte Tin (Sn)   |
|                | *  | This package is Pb-free. The Pb-free JEDEC designator (e3) can be found on the outer packaging for this package. |
|                | •, ▲, ▼  | Pin one index is identified by a dot, delta up, or delta down (triangle mark).                                   |
| <b>Note:</b>   | In the event the full Microchip part number cannot be marked on one line, it will be carried over to the next line, thus limiting the number of available characters for customer-specific information. Package may or may not include the corporate logo. |  |
|                | Underbar ( _ ) and/or Overbar ( ¯ ) symbol may not be to scale.  |  |

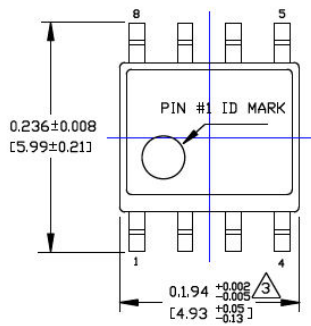


# SY100ELT23

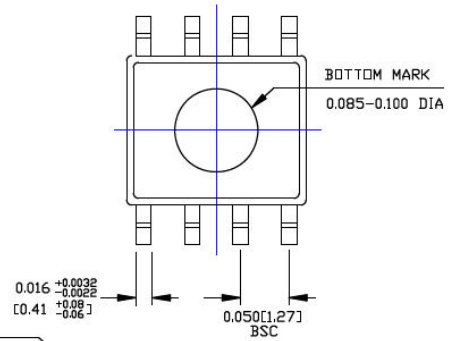
**TITLE**

8 LEAD SOICN PACKAGE OUTLINE & RECOMMENDED LAND PATTERN

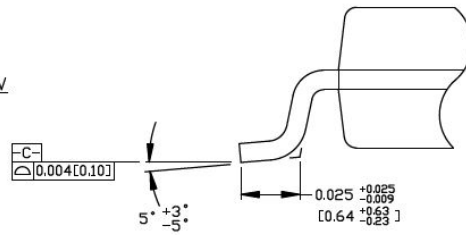
|                  |                |             |           |
|------------------|----------------|-------------|-----------|
| <b>DRAWING #</b> | SOICN-8LD-PL-1 | <b>UNIT</b> | INCH [MM] |
|------------------|----------------|-------------|-----------|



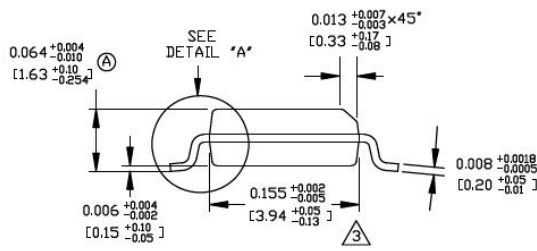
TOP VIEW



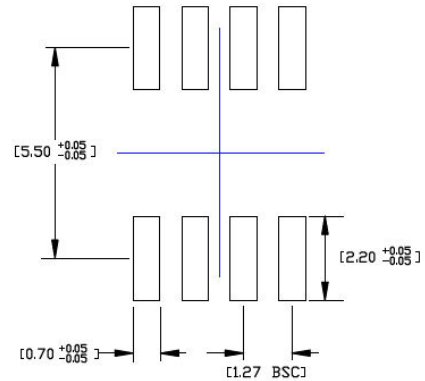
BOTTOM VIEW



DETAIL "A"



END VIEW



RECOMMENDED LAND PATTERN

**NOTES:**

1. DIMENSIONS ARE IN INCHES[MM].
2. CONTROLLING DIMENSION: INCHES.
3. DIMENSION DOES NOT INCLUDE MOLD FLASH OR PROTRUSIONS, EITHER OF WHICH SHALL NOT EXCEED 0.010[0.25] PER SIDE.

Note: For the most current package drawings, please see the Microchip Packaging Specification located at <http://www.microchip.com/packaging>.

## APPENDIX A: REVISION HISTORY

### Revision A (August 2019)

- Converted Micrel document SY100ELT23 to Microchip data sheet DS20006235A.
- Minor text changes throughout.
- Removal of all reference to the discontinued SY10ELT23.

### Revision B (April 2022)

- Corrected the description for Pins 1 and 2 in [Table 2-1](#).

# SY100ELT23

---

---

NOTES:

## PRODUCT IDENTIFICATION SYSTEM

To order or obtain information, e.g., on pricing or delivery, contact your local Microchip representative or sales office.

| <u>Part No.</u>           | <u>X</u>   | <u>X</u>    | <u>-XX</u>                        | <b>Examples:</b>  |
|---------------------------|--|-------------|-----------------------------------|---|
| Device                    | Package  | Temp. Range | Packing                           |   |
| <b>Device:</b>            | SY100ELT23: Dual Differential PECL-to-TTL Translator |             |                                   | a) SY100ELT23ZG:<br>SY100ELT23,8 -Lead SOIC,<br>-40°C to +85°C Temperature Range, 95/Tube<br><br>b) SY100ELT23ZG-TR:<br>SY100ELT23, 8-Lead SOIC,<br>-40°C to +85°C Temperature Range, 1,000/Reel<br><br><b>Note 1:</b> Tape and Reel identifier only appears in the catalog part number description. This identifier is used for ordering purposes and is not printed on the device package. Check with your Microchip Sales Office for package availability with the Tape and Reel option. |
| <b>Package:</b>           | Z  | =           | 8-Lead SOIC                       |   |
| <b>Temperature Range:</b> | G  | =           | -40°C to +85°C (NiPdAu Lead-Free) |   |
| <b>Tape and Reel:</b>     | <blank>  | =           | 95/Tube<br>TR = 1,000/Reel        |   |

# SY100ELT23

---

---

NOTES:

---

---

**Note the following details of the code protection feature on Microchip products:**

- Microchip products meet the specifications contained in their particular Microchip Data Sheet.
- Microchip believes that its family of products is secure when used in the intended manner, within operating specifications, and under normal conditions.
- Microchip values and aggressively protects its intellectual property rights. Attempts to breach the code protection features of Microchip product is strictly prohibited and may violate the Digital Millennium Copyright Act.
- Neither Microchip nor any other semiconductor manufacturer can guarantee the security of its code. Code protection does not mean that we are guaranteeing the product is “unbreakable”. Code protection is constantly evolving. Microchip is committed to continuously improving the code protection features of our products.

---

This publication and the information herein may be used only with Microchip products, including to design, test, and integrate Microchip products with your application. Use of this information in any other manner violates these terms. Information regarding device applications is provided only for your convenience and may be superseded by updates. It is your responsibility to ensure that your application meets with your specifications. Contact your local Microchip sales office for additional support or, obtain additional support at <https://www.microchip.com/en-us/support/design-help/client-support-services>.

THIS INFORMATION IS PROVIDED BY MICROCHIP "AS IS". MICROCHIP MAKES NO REPRESENTATIONS OR WARRANTIES OF ANY KIND WHETHER EXPRESS OR IMPLIED, WRITTEN OR ORAL, STATUTORY OR OTHERWISE, RELATED TO THE INFORMATION INCLUDING BUT NOT LIMITED TO ANY IMPLIED WARRANTIES OF NON-INFRINGEMENT, MERCHANTABILITY, AND FITNESS FOR A PARTICULAR PURPOSE, OR WARRANTIES RELATED TO ITS CONDITION, QUALITY, OR PERFORMANCE.

IN NO EVENT WILL MICROCHIP BE LIABLE FOR ANY INDIRECT, SPECIAL, PUNITIVE, INCIDENTAL, OR CONSEQUENTIAL LOSS, DAMAGE, COST, OR EXPENSE OF ANY KIND WHATSOEVER RELATED TO THE INFORMATION OR ITS USE, HOWEVER CAUSED, EVEN IF MICROCHIP HAS BEEN ADVISED OF THE POSSIBILITY OR THE DAMAGES ARE FORESEEABLE. TO THE FULLEST EXTENT ALLOWED BY LAW, MICROCHIP'S TOTAL LIABILITY ON ALL CLAIMS IN ANY WAY RELATED TO THE INFORMATION OR ITS USE WILL NOT EXCEED THE AMOUNT OF FEES, IF ANY, THAT YOU HAVE PAID DIRECTLY TO MICROCHIP FOR THE INFORMATION.

Use of Microchip devices in life support and/or safety applications is entirely at the buyer's risk, and the buyer agrees to defend, indemnify and hold harmless Microchip from any and all damages, claims, suits, or expenses resulting from such use. No licenses are conveyed, implicitly or otherwise, under any Microchip intellectual property rights unless otherwise stated.

For information regarding Microchip's Quality Management Systems, please visit [www.microchip.com/quality](http://www.microchip.com/quality).

**Trademarks**

The Microchip name and logo, the Microchip logo, Adaptec, AnyRate, AVR, AVR logo, AVR Freaks, BesTime, BitCloud, CryptoMemory, CryptoRF, dsPIC, flexPWR, HELDO, IGLOO, JukeBlox, KeeLoq, Kleer, LANCheck, LinkMD, maXStylus, maXTouch, MediaLB, megaAVR, Microsemi, Microsemi logo, MOST, MOST logo, MPLAB, OptoLyzer, PIC, picoPower, PICSTART, PIC32 logo, PolarFire, Prochip Designer, QTouch, SAM-BA, SenGenuity, SpyNIC, SST, SST Logo, SuperFlash, Symmetricom, SyncServer, Tachyon, TimeSource, tinyAVR, UNI/O, Vectron, and XMEGA are registered trademarks of Microchip Technology Incorporated in the U.S.A. and other countries.

AgileSwitch, APT, ClockWorks, The Embedded Control Solutions Company, EtherSynch, Flashtec, Hyper Speed Control, HyperLight Load, IntelliMOS, Libero, motorBench, mTouch, Powermite 3, Precision Edge, ProASIC, ProASIC Plus, ProASIC Plus logo, QuietWire, SmartFusion, SyncWorld, Temux, TimeCesium, TimeHub, TimePictra, TimeProvider, TrueTime, WinPath, and ZL are registered trademarks of Microchip Technology Incorporated in the U.S.A.

Adjacent Key Suppression, AKS, Analog-for-the-Digital Age, Any Capacitor, AnyIn, AnyOut, Augmented Switching, BlueSky, BodyCom, CodeGuard, CryptoAuthentication, CryptoAutomotive, CryptoCompanion, CryptoController, dsPICDEM, dsPICDEM.net, Dynamic Average Matching, DAM, ECAN, Espresso T1S, EtherGREEN, GridTime, IdealBridge, In-Circuit Serial Programming, ICSP, INICnet, Intelligent Paralleling, Inter-Chip Connectivity, JitterBlocker, Knob-on-Display, maxCrypto, maxView, memBrain, Mindi, MiWi, MPASM, MPF, MPLAB Certified logo, MPLIB, MPLINK, MultiTRAK, NetDetach, NVM Express, NVMe, Omniscient Code Generation, PICDEM, PICDEM.net, PICkit, PICtail, PowerSmart, PureSilicon, QMatrix, REAL ICE, Ripple Blocker, RTAX, RTG4, SAM-ICE, Serial Quad I/O, simpleMAP, SimpliPHY, SmartBuffer, SmartHLS, SMART-I.S., storClad, SQL, SuperSwitcher, SuperSwitcher II, Switchtec, SynchroPHY, Total Endurance, TSHARC, USBCheck, VariSense, VectorBlox, VeriPHY, ViewSpan, WiperLock, XpressConnect, and ZENA are trademarks of Microchip Technology Incorporated in the U.S.A. and other countries.

SQTP is a service mark of Microchip Technology Incorporated in the U.S.A.

The Adaptec logo, Frequency on Demand, Silicon Storage Technology, Symmcom, and Trusted Time are registered trademarks of Microchip Technology Inc. in other countries.

GestIC is a registered trademark of Microchip Technology Germany II GmbH & Co. KG, a subsidiary of Microchip Technology Inc., in other countries.

All other trademarks mentioned herein are property of their respective companies.

© 2019 - 2022, Microchip Technology Incorporated and its subsidiaries.

All Rights Reserved.

ISBN: 978-1-6683-0263-7



# MICROCHIP

## Worldwide Sales and Service

### AMERICAS

**Corporate Office**  
2355 West Chandler Blvd.  
Chandler, AZ 85224-6199  
Tel: 480-792-7200  
Fax: 480-792-7277  
Technical Support:  
<http://www.microchip.com/support>  
Web Address:  
[www.microchip.com](http://www.microchip.com)

**Atlanta**  
Duluth, GA  
Tel: 678-957-9614  
Fax: 678-957-1455

**Austin, TX**  
Tel: 512-257-3370

**Boston**  
Westborough, MA  
Tel: 774-760-0087  
Fax: 774-760-0088

**Chicago**  
Itasca, IL  
Tel: 630-285-0071  
Fax: 630-285-0075

**Dallas**  
Addison, TX  
Tel: 972-818-7423  
Fax: 972-818-2924

**Detroit**  
Novi, MI  
Tel: 248-848-4000

**Houston, TX**  
Tel: 281-894-5983

**Indianapolis**  
Noblesville, IN  
Tel: 317-773-8323  
Fax: 317-773-5453  
Tel: 317-536-2380

**Los Angeles**  
Mission Viejo, CA  
Tel: 949-462-9523  
Fax: 949-462-9608  
Tel: 951-273-7800

**Raleigh, NC**  
Tel: 919-844-7510

**New York, NY**  
Tel: 631-435-6000

**San Jose, CA**  
Tel: 408-735-9110  
Tel: 408-436-4270

**Canada - Toronto**  
Tel: 905-695-1980  
Fax: 905-695-2078

### ASIA/PACIFIC

**Australia - Sydney**  
Tel: 61-2-9868-6733

**China - Beijing**  
Tel: 86-10-8569-7000

**China - Chengdu**  
Tel: 86-28-8665-5511

**China - Chongqing**  
Tel: 86-23-8980-9588

**China - Dongguan**  
Tel: 86-769-8702-9880

**China - Guangzhou**  
Tel: 86-20-8755-8029

**China - Hangzhou**  
Tel: 86-571-8792-8115

**China - Hong Kong SAR**  
Tel: 852-2943-5100

**China - Nanjing**  
Tel: 86-25-8473-2460

**China - Qingdao**  
Tel: 86-532-8502-7355

**China - Shanghai**  
Tel: 86-21-3326-8000

**China - Shenyang**  
Tel: 86-24-2334-2829

**China - Shenzhen**  
Tel: 86-755-8864-2200

**China - Suzhou**  
Tel: 86-186-6233-1526

**China - Wuhan**  
Tel: 86-27-5980-5300

**China - Xian**  
Tel: 86-29-8833-7252

**China - Xiamen**  
Tel: 86-592-2388138

**China - Zhuhai**  
Tel: 86-756-3210040

### ASIA/PACIFIC

**India - Bangalore**  
Tel: 91-80-3090-4444

**India - New Delhi**  
Tel: 91-11-4160-8631

**India - Pune**  
Tel: 91-20-4121-0141

**Japan - Osaka**  
Tel: 81-6-6152-7160

**Japan - Tokyo**  
Tel: 81-3-6880-3770

**Korea - Daegu**  
Tel: 82-53-744-4301

**Korea - Seoul**  
Tel: 82-2-554-7200

**Malaysia - Kuala Lumpur**  
Tel: 60-3-7651-7906

**Malaysia - Penang**  
Tel: 60-4-227-8870

**Philippines - Manila**  
Tel: 63-2-634-9065

**Singapore**  
Tel: 65-6334-8870

**Taiwan - Hsin Chu**  
Tel: 886-3-577-8366

**Taiwan - Kaohsiung**  
Tel: 886-7-213-7830

**Taiwan - Taipei**  
Tel: 886-2-2508-8600

**Thailand - Bangkok**  
Tel: 66-2-694-1351

**Vietnam - Ho Chi Minh**  
Tel: 84-28-5448-2100

### EUROPE

**Austria - Wels**  
Tel: 43-7242-2244-39  
Fax: 43-7242-2244-393

**Denmark - Copenhagen**  
Tel: 45-4485-5910  
Fax: 45-4485-2829

**Finland - Espoo**  
Tel: 358-9-4520-820

**France - Paris**  
Tel: 33-1-69-53-63-20  
Fax: 33-1-69-30-90-79

**Germany - Garching**  
Tel: 49-8931-9700

**Germany - Haan**  
Tel: 49-2129-3766400

**Germany - Heilbronn**  
Tel: 49-7131-72400

**Germany - Karlsruhe**  
Tel: 49-721-625370

**Germany - Munich**  
Tel: 49-89-627-144-0  
Fax: 49-89-627-144-44

**Germany - Rosenheim**  
Tel: 49-8031-354-560

**Israel - Ra'anana**  
Tel: 972-9-744-7705

**Italy - Milan**  
Tel: 39-0331-742611  
Fax: 39-0331-466781

**Italy - Padova**  
Tel: 39-049-7625286

**Netherlands - Drunen**  
Tel: 31-416-690399  
Fax: 31-416-690340

**Norway - Trondheim**  
Tel: 47-7288-4388

**Poland - Warsaw**  
Tel: 48-22-3325737

**Romania - Bucharest**  
Tel: 40-21-407-87-50

**Spain - Madrid**  
Tel: 34-91-708-08-90  
Fax: 34-91-708-08-91

**Sweden - Gothenberg**  
Tel: 46-31-704-60-40

**Sweden - Stockholm**  
Tel: 46-8-5090-4654

**UK - Wokingham**  
Tel: 44-118-921-5800  
Fax: 44-118-921-5820