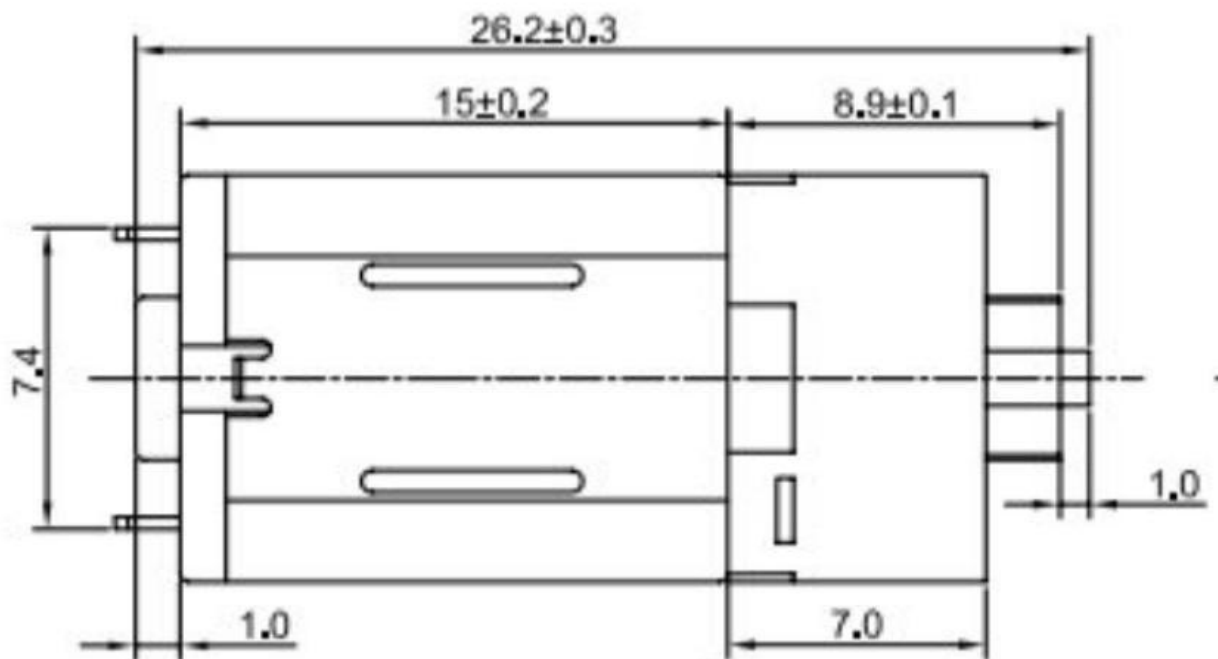


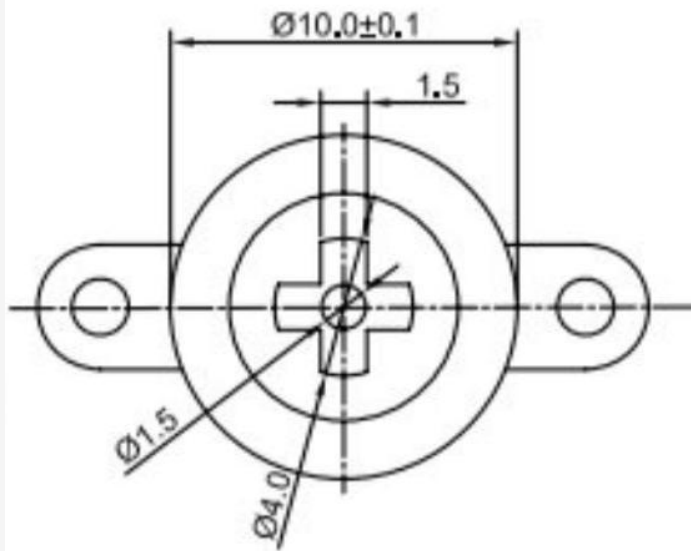
## INTRODUCTION

This is a new micro DC geared motor, using planetary gear mechanism, applicable to the various types of DIY project. Especially the project which has a certain requirements for size. It will be a good partner for you.

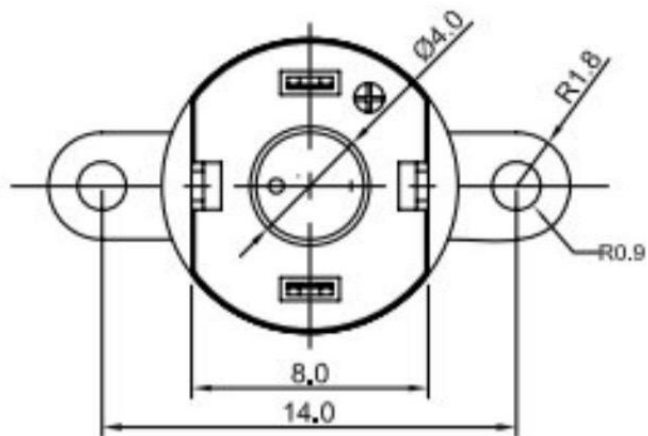
### Side View Drawing:



### Head Drawing:



Tail Drawing:



## SPECIFICATION

- Rated voltage: 6V
- Gear ratio: 1 : 171
- No-load current:  $\leq 45\text{mA}$
- Starting torque: 550g·cm (MIN)
- Output shaft length:  $3\pm 0.5\text{mm}$
- Insulation resistance: 100V/DC/ 1.0M $\Omega$
- No-load speed: 110 $\pm$ 11RPM
- Waveform: Sinusoidal waveform
- Noise: <60db (Ambient noise 30db)
- Direction: CW

## SHIPPING LIST

- Micro DC Geared Motor x1