

Product information

26 22 200 T

Snipe Nose Side Cutting Pliers (Stork Beak Pliers)

DIN ISO 5745

- Elastic tips: dimensionally stable even when twisted
- Pliers with tether attachment point for mounting a fall protection system
- Distortion-tolerant, elastic precision tips
- Half-round, long, tapered jaws
- With cutting edges for soft, medium-hard and hard wire
- Cutting edges additionally induction-hardened, cutting edge hardness approx. 61 HRC
- Vanadium electric steel, forged, multi stage oil-hardened



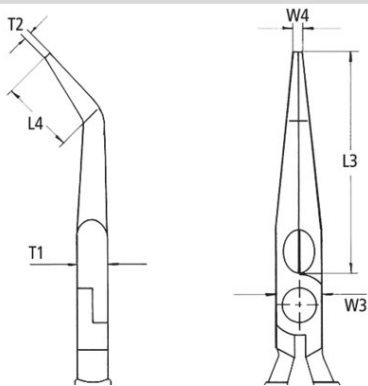
General

| | |
|-------------|---|
| Article No. | 26 22 200 T |
| EAN | 4003773080008 |
| Pliers | black atramentized |
| Head | polished |
| Handles | with multi-component grips, with integrated tether attachment point for a tool tether |
| Weight | 202 g |
| Dimensions | 200 x 57 x 27 mm |
| Standard | DIN ISO 5745 |
| Reach | no |
| RohS | no |

Technical details

| | |
|--|----------|
| Cutting capacities medium hard wire (diameter) | Ø 3.2 mm |
| Cutting capacities hard wire (diameter) | Ø 2.2 mm |
| Jaw thickness (joint) (T1) | 9.5 mm |
| Tips width (W4) | 3.0 mm |
| Tips thickness (T2) | 2.5 mm |
| Gripping surface length (L4) | 23.0 mm |
| Jaw length (L3) | 73.0 mm |
| Head width (W3) | 18 mm |

Technical details



Classification

| | |
|----------------|------------|
| eCl@ss 5.1.4 | 21040301 |
| profiCl@ss 6.0 | EAC420c044 |
| UNSPSC 13.1 | 27112134 |

technical change and errors excepted

