

## Product information

# 73 72 180

### KNIPEX TwinForce®

#### High Performance Diagonal Cutters

DIN ISO 5749



- The superior High-Leverage Diagonal Cutter with patented double joint
- Ideal transmission of force due to double-hinged design
- Reliably cuts all types of wire, including steel tape
- For rough or very fine cutting
- Low cutting impact: gentle on hands. The tension on muscles and tendons is relieved
- For comfortable cutting, repetitive cutting or extremely hard cutting jobs
- High degree of stability and zero-backlash due to precisely milled forged-in axles
- Cutting edges additionally induction-hardened, cutting edge hardness approx. 64 HRC
- Chrome vanadium electric steel, forged, multi stage oil-hardened



### General

|             |                            |
|-------------|----------------------------|
| Article No. | 73 72 180                  |
| EAN         | 4003773074779              |
| Pliers      | black atramentized         |
| Head        | polished                   |
| Handles     | with multi-component grips |
| Weight      | 280 g                      |
| Dimensions  | 180 x 53 x 22 mm           |
| Standard    | DIN ISO 5749               |
| Reach       | no                         |
| RohS        | no                         |

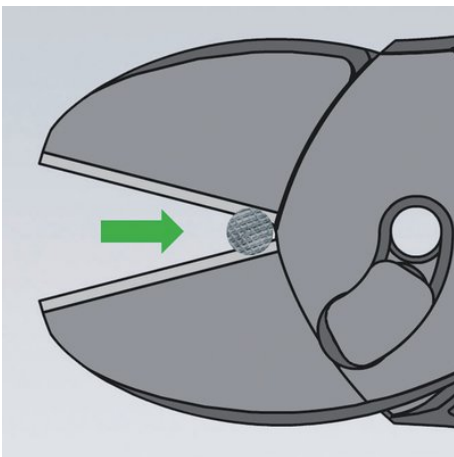
### Technical details

|  |          |
|--|----------|
| Cutting capacities soft wire (diameter)        | Ø 5.5 mm |
| Cutting capacities medium hard wire (diameter) | Ø 4.6 mm |
| Cutting capacities hard wire (diameter)        | Ø 3.2 mm |
| Cutting capacities piano wire (diameter)       | Ø 3.0 mm |

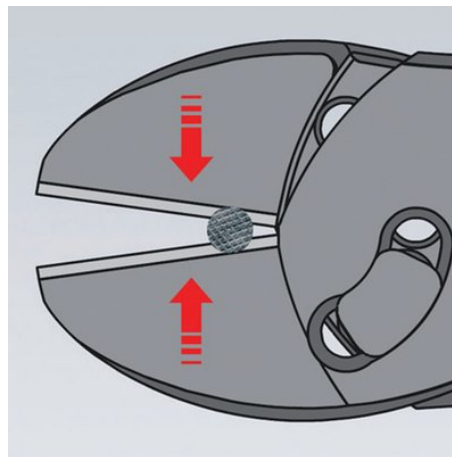
### Classification

|                |            |
|----------------|------------|
| eCl@ss 5.1.4   | 21040302   |
| ETIM 5.0       | EC000165   |
| ETIM 6.0       | EC000165   |
| profiCl@ss 6.0 | AAA949c004 |
| UNSPSC 13.1    | 27112114   |

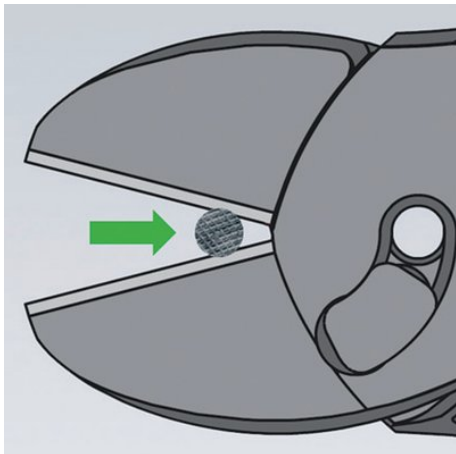
technical change and errors excepted



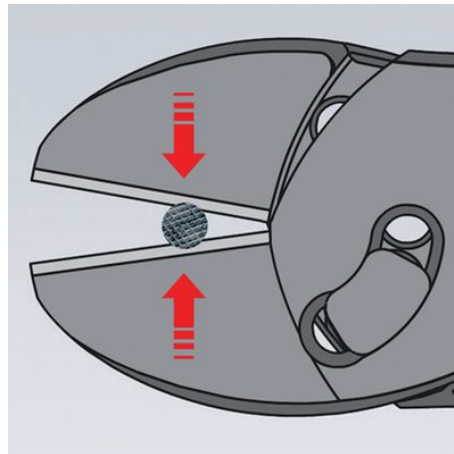
You can repeat this process if necessary.



Continue cutting in the same location along the wire. Now cutting is much more easier because the wire remains in place closer to the fulcrum.



First make a notch in the wire using the KNIPEX TwinForce® until the required hand force increases considerably. Now open the pliers and slide the wire backwards towards the joint. Hold the cutting edge in the notches you have made in step 1.



Insert the wires as close to the hinge as possible. In case of cutters with very high transmission, the width of the gap between the cutting edges close to the fulcrum may be less than the thickness of the wire. Wires may slip forward when the cutting starts.