

# Fibre Optic Transmitter Jack multicomp<sup>PRO</sup>

RoHS  
Compliant



## Features

- High speed signal transmission (16Mbps, NRZ signal )
- Input TTL compatible
- +3 to +5V power source

## Descriptions

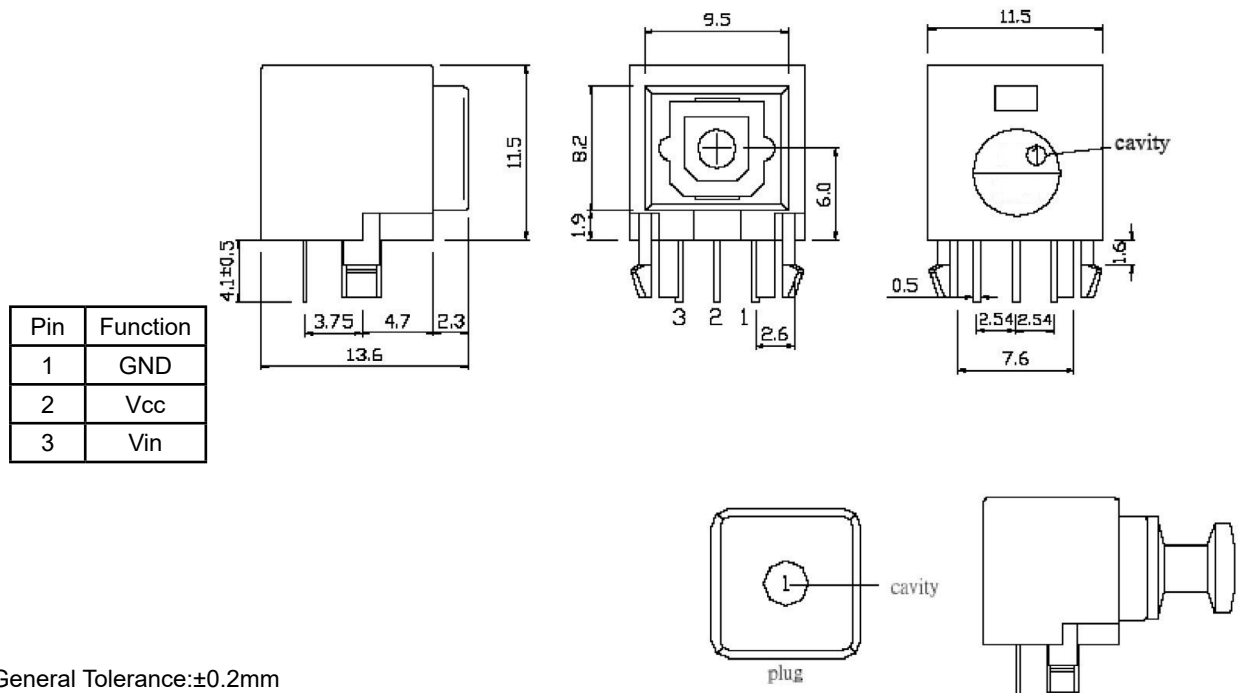
The light transmitting unit is a standard-package product with connector and opto-electric component packaged with LED and drive IC. The function of unit changes the electric signal into light signal and be transmitted by plastic fiber.

The unit is operated at single+3V to +5V and the input signal is TTL compatible. This product has a maximum operating speed of 16 Mbps. The light signal is coupled into plastic fiber by connector. The unit has high performance at low dissipation current, steady light output and efficient light coupling.

## Applications

- Audio equipment
- DVD player
- PC, Notebook
- Sound card

## Diagram



Notes : General Tolerance:±0.2mm

Dimensions : Millimetres

Newark.com/multicomp-pro  
Farnell.com/multicomp-pro  
sg.element14.com/b/multicomp-pro

multicomp<sup>PRO</sup>

# Fibre Optic Transmitter Jack **multicomp**PRO

## Specification

Chip		Operating Voltage (Vcc)	Dissipation Current(mA)	Fiber Coupling Light Output (dBm)		
IC Material	LED $\lambda$ (nm)		Typ.	Min.	Typ.	Max.
Si	650	2.7 to 5.5	5.5	-21	-	-15

## Absolute Maximum Ratings( Ta = 25°C)

Parameter	Symbol	Rating	Unit
Supply Voltage	Vcc	-0.5 to +7	V
DC Input Voltage	Vin	-0.5 to Vcc+0.5	
Power Dissipation	P	120	mW
Storage Temperature	Tstg	-30 to +80	°C
Operating Temperature	Topr	-20 to +70	
Soldering Temperature	Tsol	260*	

\* Soldering time  $\leq$  5s / 2times.

\*Don't touch flux soldering and white Gas

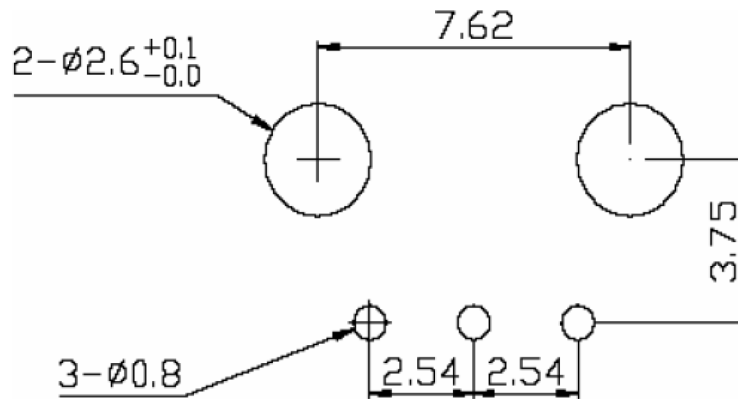
## Electro-Optical Characteristics

Parameter	Symbol	Conditions	MIN.	TYP.	MAX.	Unit
Operating Voltage	Vcc	-	2.7	-	5.5	V
Peak Emission Wavelength	$\lambda$ p	-	640	-	670	nm
Transmission Speed		NRZ signal	DC	-	16	Mbps
Receiving Distance		Using APF	0.2	-	20	m
Pulse Width Distortion	$\Delta$ tw	16Mbps NRZ Signal	-25	-	25	ns
Fiber Coupling Light Output	Pf	*1	-21	-17	-15	dBm
Dissipation Current	Icc	*2	-	5	10	mA
High Level Input Voltage	VIH		2	-	-	v
Low Level Input Voltage	VIL		-	-	0.8	v
Rise Time	t <sub>r</sub>	*3	-	30	40	ns
Fall Time	t <sub>f</sub>	*3	-	20	30	ns
Low $\rightarrow$ High propagation delay time	t <sub>PLH</sub>	*3	-	-	100	ns
High $\rightarrow$ Low propagation delay time	t <sub>PHL</sub>	*3	-	-	100	ns
Jitter	$\Delta$ tj	*3	-	1.5	15	ns

Light transmitting unit satisfies EIAJ CP-1201 digital audio interface standard.

# Fibre Optic Transmitter Jack **multicomp**PRO

## PCB Layout For Electrical Circuit



### Notes:

1. Unit: mm
2. Unspecified tolerance:  $\pm 0.3$ mm
3. Substrate Thickness: 1.6mm

## Part Number Table

Description	Part Number
Fibre Optic Transmitter Jack, 16 Mbps, -21dBm, 5.5V, 5.5mA	MP-FCR6842032T

**Important Notice :** This data sheet and its contents (the "Information") belong to the members of the AVNET group of companies (the "Group") or are licensed to it. No licence is granted for the use of it other than for information purposes in connection with the products to which it relates. No licence of any intellectual property rights is granted. The Information is subject to change without notice and replaces all data sheets previously supplied. The Information supplied is believed to be accurate but the Group assumes no responsibility for its accuracy or completeness, any error in or omission from it or for any use made of it. Users of this data sheet should check for themselves the Information and the suitability of the products for their purpose and not make any assumptions based on information included or omitted. Liability for loss or damage resulting from any reliance on the Information or use of it (including liability resulting from negligence or where the Group was aware of the possibility of such loss or damage arising) is excluded. This will not operate to limit or restrict the Group's liability for death or personal injury resulting from its negligence. Multicomp Pro is the registered trademark of Premier Farnell Limited 2019.

Newark.com/multicomp-pro  
Farnell.com/multicomp-pro  
sg.element14.com/b/multicomp-pro

**multicomp**PRO