

206433-1 ✓ ACTIVE

AMP | AMP CPC

TE Internal #: 206433-1

AMP CPC, Circular Power Connectors, Housing, 250 VDC, Wire-to-Panel, 8 Position, Wire & Cable, Receptacle, Reverse Gender, Socket, Signal, Black

[View on TE.com >](#)



Connectors > Power Connectors > Circular Power > Circular Power Connectors > CPC SERIES 2



Connector Product Type: **Housing**

Operating Voltage: **250 VDC**

Connector System: **Wire-to-Panel**

Number of Positions: **8**

Sealable: **No**

[All CPC SERIES 2 \(24\)](#)

## Features

### Product Type Features

Connector Product Type	Housing
Connector System	Wire-to-Panel
Sealable	No
Connector & Contact Terminates To	Wire & Cable
Connector & Housing Type	Receptacle
Circular Connector Shell Type	All Plastic

### Configuration Features

Reverse Numbering	Without
Number of Positions	8
Number of Power Positions	0
Number of Signal Positions	8

### Electrical Characteristics



Operating Voltage	250 VAC
-------------------	---------

### Contact Features

Reverse Gender	Yes
Contact Type	Socket
Contact Current Rating (Max)	7.5 A
Contact Protection	With

### Mechanical Attachment

Panel Mount Feature Type	Flange with Mounting Holes
Screw & Hole Thread Size	5/8-24 UNEF-2A
Connector Mounting Type	Panel Mount
Mating Alignment	With
Mating Retention	With
Panel Mount Feature	With
Mating Alignment Type	Keyed
Mating Retention Type	Threaded Coupling

### Housing Features

Body Orientation	Straight
Housing Color	Black
Housing Material	Thermoplastic
Circular Connector Shell Size	11

### Dimensions

Accepts Wire Insulation Diameter Range	1.73 mm [.068 in]
--	-------------------

### Usage Conditions

Operating Temperature Range	-55 – 105 °C [-67 – 221 °F]
Fluid Resistance	None

### Operation/Application

Circuit Application	Signal
Shielded	No

### Industry Standards

UL Flammability Rating	UL 94V-0
VDE Tested	No

### Packaging Features



Packaging Method	Standard
Packaging Quantity	100

### Product Compliance

[For compliance documentation, visit the product page on TE.com>](#)

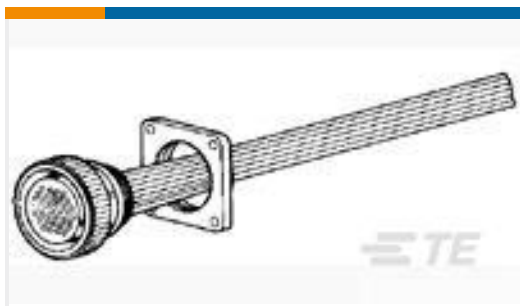
EU RoHS Directive 2011/65/EU	Compliant
EU ELV Directive 2000/53/EC	Compliant
China RoHS 2 Directive MIIT Order No 32, 2016	No Restricted Materials Above Threshold
EU REACH Regulation (EC) No. 1907/2006	Current ECHA Candidate List: JAN 2022 (223) Candidate List Declared Against: JAN 2022 (223) Does not contain REACH SVHC
Halogen Content	BFR/CFR/PVC Free, but Br/Cl >900 ppm in other sources.
Solder Process Capability	Not applicable for solder process capability

#### Product Compliance Disclaimer

This information is provided based on reasonable inquiry of our suppliers and represents our current actual knowledge based on the information they provided. This information is subject to change. The part numbers that TE has identified as EU RoHS compliant have a maximum concentration of 0.1% by weight in homogenous materials for lead, hexavalent chromium, mercury, PBB, PBDE, DBP, BBP, DEHP, DIBP, and 0.01% for cadmium, or qualify for an exemption to these limits as defined in the Annexes of Directive 2011/65/EU (RoHS2). Finished electrical and electronic equipment products will be CE marked as required by Directive 2011/65/EU. Components may not be CE marked. Additionally, the part numbers that TE has identified as EU ELV compliant have a maximum concentration of 0.1% by weight in homogenous materials for lead, hexavalent chromium, and mercury, and 0.01% for cadmium, or qualify for an exemption to these limits as defined in the Annexes of Directive 2000/53/EC (ELV). Regarding the REACH Regulation, the information TE provides on SVHC in articles for this part number is based on the latest European Chemicals Agency (ECHA) 'Guidance on requirements for substances in articles' posted at this URL: <https://echa.europa.eu/guidance-documents/guidance-on-reach>

### Compatible Parts





TE Part # 207299-1  
PLUG MTG. FLANGE NO 11 CPC



TE Part # 206433-5  
CPC RECPT,SZ 11-8,SMALL PACK



TE Part # 2387131-1  
PLUG CONN CA,REV,SER 2,SZ 11-8,L 0.5 M



TE Part # 2387131-2  
PLUG CONN CA,REV,SER 2,SZ 11-8,L 1M



TE Part # 2387131-3  
PLUG CONN CA,REV,SER 2,SZ 11-8,L 2M



TE Part # 207490-1  
CABLE GRIPPER, SIZE 11

## Also in the Series | AMP CPC



Circular Connector Adapters(7)



Circular Connector Boots & Strain Relief(6)



Circular Connector Caps & Covers(16)



Circular Connector Hardware(3)



Circular Connector Keying Plugs(2)



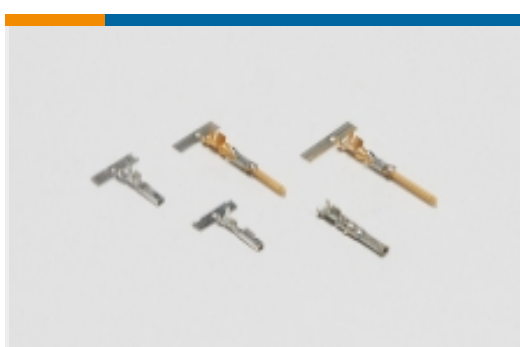
Circular Connector Seals(36)



Circular Power Connectors(518)



Insertion & Extraction Tools(1)



Power Contacts(6)

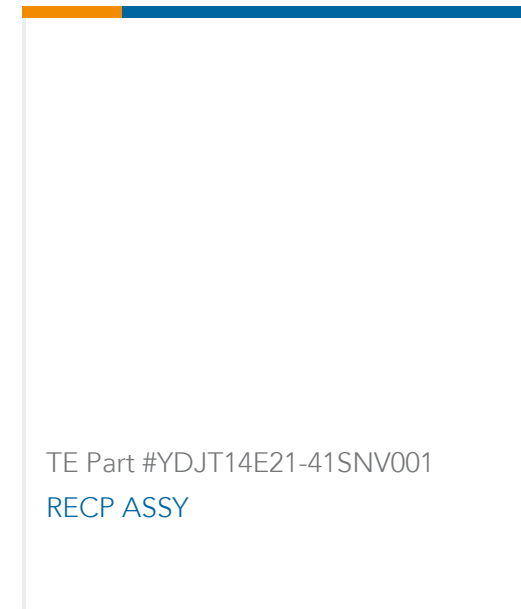
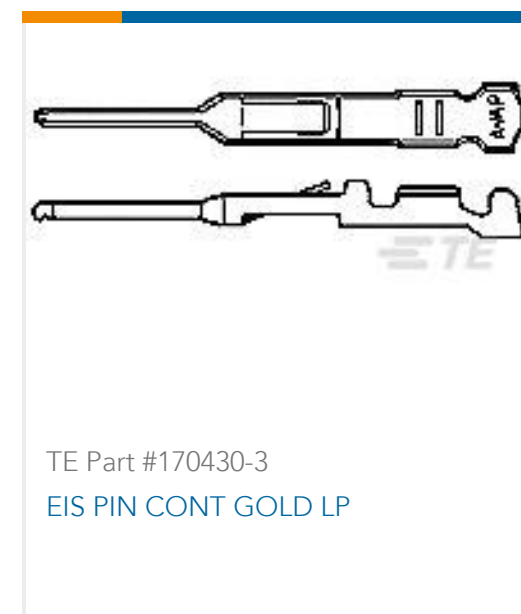


Sealing Sleeves(2)



Unscreened Circular Connector Backshells & Clamps(56)

## Customers Also Bought



## Documents

### Product Drawings

#### CPC RECPT ASSEMBLY SIZE 11-8

English

### CAD Files

#### 3D PDF

3D

#### Customer View Model

[ENG\\_CVM\\_CVM\\_206433-1\\_U.2d\\_dxf.zip](#)

English

#### Customer View Model

[ENG\\_CVM\\_CVM\\_206433-1\\_U.3d\\_igs.zip](#)

English

#### Customer View Model

[ENG\\_CVM\\_CVM\\_206433-1\\_U.3d\\_stp.zip](#)

English

By downloading the CAD file I accept and agree to the [Terms and Conditions](#) of use.

### Datasheets & Catalog Pages

#### AMP Circular Connectors for Commercial Signal & Power Applications

English

### Product Environmental Compliance

[MD\\_206433-1\\_041820182328\\_dmtec](#)

English

[MD\\_206433-1\\_041820182328\\_dmtec](#)

English



**Instruction Sheets**

[Instruction Sheet \(U.S.\)](#)

English

---

**Agency Approvals**

[UL Report](#)

English