

PRODUCT CHANGE NOTICE

PCN Number : 246

Product Category : PSG01484 3.5mm Audio Plug.

Issue Date : 20 - DEC - 2021

Effective Date : 20 - DEC - 2021

LTB Date : N/A

LTD Date : N/A

Reason For Change : To improve production efficiency and quality control.

Detail of Change : The internal welding structure has been changed as detailed below in figure 1 to figure 2. This change has been made to improve the efficiency of the production process as well as enhancing quality control resulting in the defective rate being greatly reduced from 15-20% to 3-5% of a production run.

Figure 1

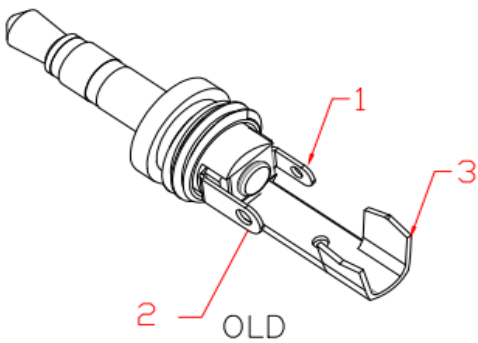
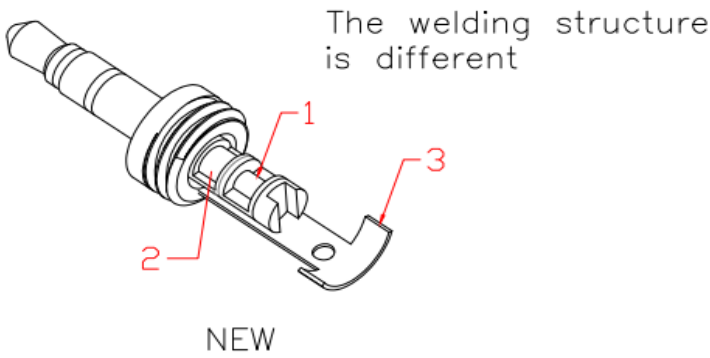
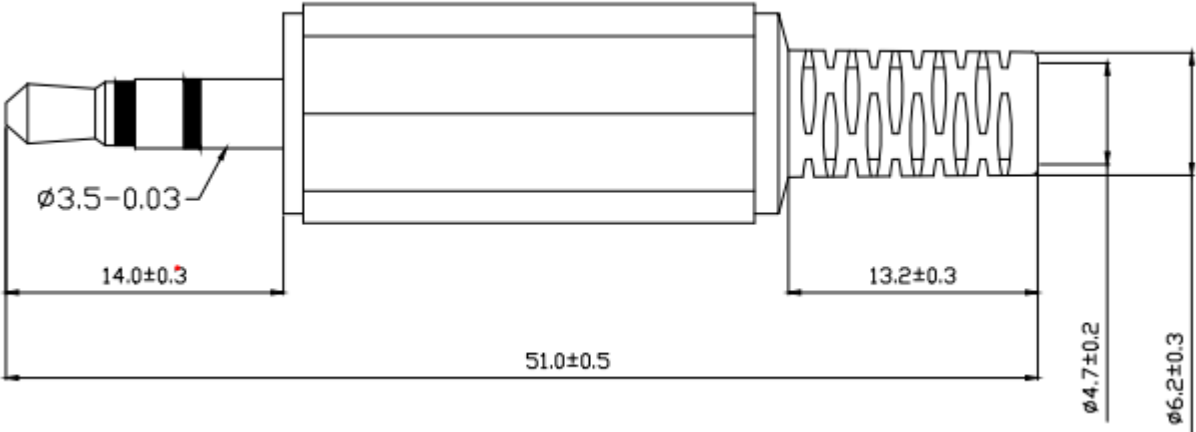


Figure 2



3	CRIMPING PATCH	BRASS
2	WELDING POINT 2	BRASS
1	WELDING POINT 1	BRASS
ITEM	DESIGNATION	MATERIAL

Change to Form Fit Function : There is no change to the fit, form or function of the product. The external dimension remain exactly the same as before as shown in the diagram below.



Part Affected : Below are the list of part which are affected by the change.

FARNELL SKU	NEWARK SKU	PART NUMBER
1280662	26M2015	PSG01484

Important Notice : This PCN and its contents (the "Information") belong to the members of the AVNET group of companies (the "Group") or are licensed to it. No licence is granted for the use of it other than for information purposes in connection with the products to which it relates. No licence of any intellectual property rights is granted. The Information is subject to change without notice and replaces all data sheets previously supplied. The Information supplied is believed to be accurate but the Group assumes no responsibility for its accuracy or completeness, any error in or omission from it or for any use made of it. Users of this data sheet should check for themselves the Information and the suitability of the products for their purpose and not make any assumptions based on information included or omitted. Liability for loss or damage resulting from any reliance on the Information or use of it (including liability resulting from negligence or where the Group was aware of the possibility of such loss or damage arising) is excluded. This will not operate to limit or restrict the Group's liability for death or personal injury resulting from its negligence. Multicomp Pro is the registered trademark of Premier Farnell Limited 2019.