



Datasheet

DS001053

AS7057

Biosignal Converting Unit

v1-00 • 2022-May-10

Content Guide

1	General Description	3	7	Soldering & Storage Information	11
1.1	Key Benefits & Features.....	3	8	Revision Information	12
1.2	Applications	4	9	Legal Information.....	13
1.3	Block Diagram	4			
2	Ordering Information	5			
3	Absolute Maximum Ratings	6			
4	Electrical Characteristics.....	7			
5	Package Drawings & Markings	9			
6	Tape & Reel Information	10			

1 General Description

The AS7057 Biosignal Sensor Analog Frontend (AFE) is the next generation Vital Sign Sensor. It enables the user to detect biosignals such as photoplethysmogram (PPG) and pulse transit time (PTT), as well as proximity. PPG is the most used HRM method. It measures the pulse rate - by sampling light modulated by the blood vessels, which expand and contract as blood pulses through them. Apart from HRM/HRV, optical Blood Pressure and SpO₂ are also enabled by the two independent working photodiode inputs of the AS7057. The AS7057 is a size and performance optimized analog frontend to support space-limited applications such as in-ear vital sign monitoring.

The AS7057 provides three LED driver outputs, samples up to three photodiode inputs, and supports proximity detection integrated into one of the PPG signal channels. This enables high flexibility for several LED and photodiode arrangements in different applications. Furthermore, the AS7057 Biosignal Sensor Analog Frontend provides two ADC channels for simultaneous PPG measurements and an automatic photodiode offset control.

The AS7057's low-power design and small form factor are particularly well-suited for application in earbuds, fitness bands, smartwatches, sports watches, and smart patches. In these cases, board space is limited, and users look for extended, multi-day intervals between battery recharges. A thin package dimension makes the AS7057 suitable for height-constrained solutions like earbuds.

1.1 Key Benefits & Features

The benefits and features of the AS7057 Biosignal Converting Unit are listed below:

Figure 1:
Added Value of Using AS7057

Benefits	Features
Flexible LED/photodiode configuration.	Three LED drivers and three photodiode input pins.
Allows the smallest application size e.g. in-ear vital sign monitoring.	Small Wafer-Level-Chip-Scale-Package (WLCSP).
Enables optical blood pressure measurements.	Two synchronized PPG acquisition channels.
Enables proximity detection for additional energy savings.	Two independent, programmable sequence blocks inside the PPG signal acquisition.
Good HRM measurement quality.	Low noise analog optical frontend.
Long operating time.	Hardware sequencer to offload processor. Adjustable LED driver with current control.

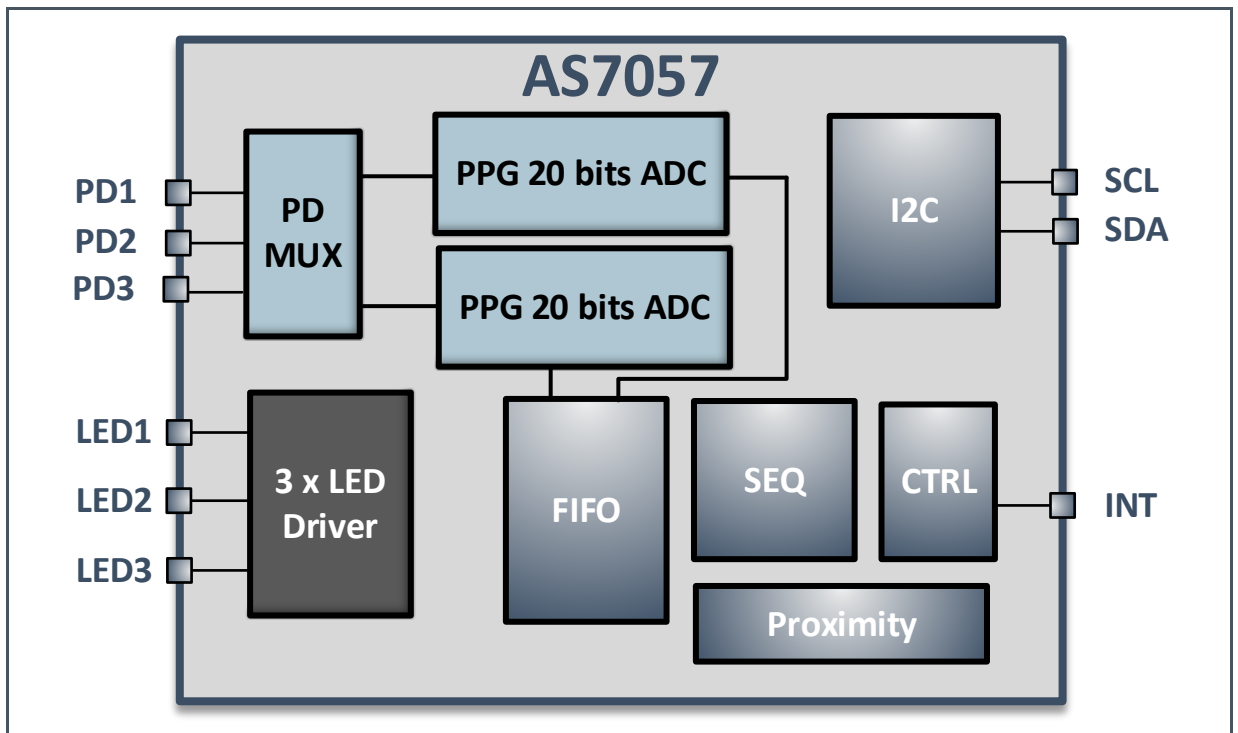
1.2 Applications

- Earbuds
- Hearables
- Optical sensor platform
- Fitness band
- Smart watch
- Smart patches
- Heart rate monitor
- Cuff-less optical blood pressure measurements

1.3 Block Diagram

The diagram below shows the functional blocks of this device:

Figure 2:
Functional Blocks of AS7057



2 Ordering Information

Ordering Code	Package	Marking	Delivery Form	Delivery Quantity
AS7057-BWLM	WLCSP	n.a.	Tape & Reel	500 pcs/reel
AS7057-BWLT	WLCSP	n.a.	Tape & Reel	10000 pcs/reel

3 Absolute Maximum Ratings

Stresses beyond those listed under “Absolute Maximum Ratings” may cause permanent damage to the device. These are stress ratings only. Functional operation of the device at these or any other conditions, beyond those indicated under “Operating Conditions”, is not implied. Exposure to absolute maximum rating conditions for extended periods may affect device reliability.

Figure 3
Absolute Maximum Ratings of AS7057

Symbol	Parameter	Min	Max	Unit	Comments
Electrical Parameters					
V_{DD}	Supply Voltage		1.98	V	
V_{IN}	Input Pin Voltage to Ground pins	-0.3	$V_{DD}+0.3V$ max. 1.98 V	V	Internal diode to V_{DD}
V_{LED}	Voltage at Driver	-0.3	5.5	V	
$V_{GND-PGND}$	Analog to Power Ground Voltage Difference		± 0.3	V	
I_{SCR}	Input Current (latch-up immunity)		± 100	mA	Norm: JEDEC JESD78 Connect the specified capacitor on PDREF during latch-up test.
I_{LEDON}	Average LED ON Current		90	mA	DC current with all LEDs ON during all 8 time slots
Electrostatic Discharge					
ESD_{HBM}	Electrostatic Discharge HBM		± 2.0	kV	JS-001-2017
Temperature Ranges and Storage Conditions					
T_{STRG}	Storage Temperature Range	-40	125	°C	JESD22-A103
T_{AMB}	Operating Free-air Temperature	-30	85	°C	
T_{BODY}	Package Body Temperature		260	°C	IPC/JEDEC J-STD-020 ⁽¹⁾
RH_{NC}	Relative Humidity (non-condensing)	5	85	%	
MSL	Moisture Sensitivity Level		1		Maximum floor life time unlimited @ 30°C/85% RH_{max}

- (1) The reflow peak soldering temperature (body temperature) is specified according to IPC/JEDEC J-STD-020 “Moisture/Reflow Sensitivity Classification for Non-hermetic Solid State Surface Mount Devices.”

4 Electrical Characteristics

All limits are guaranteed at an ambient temperature of 25 °C. The parameters with Min and Max values are guaranteed with production tests or SQC (Statistical Quality Control) methods.

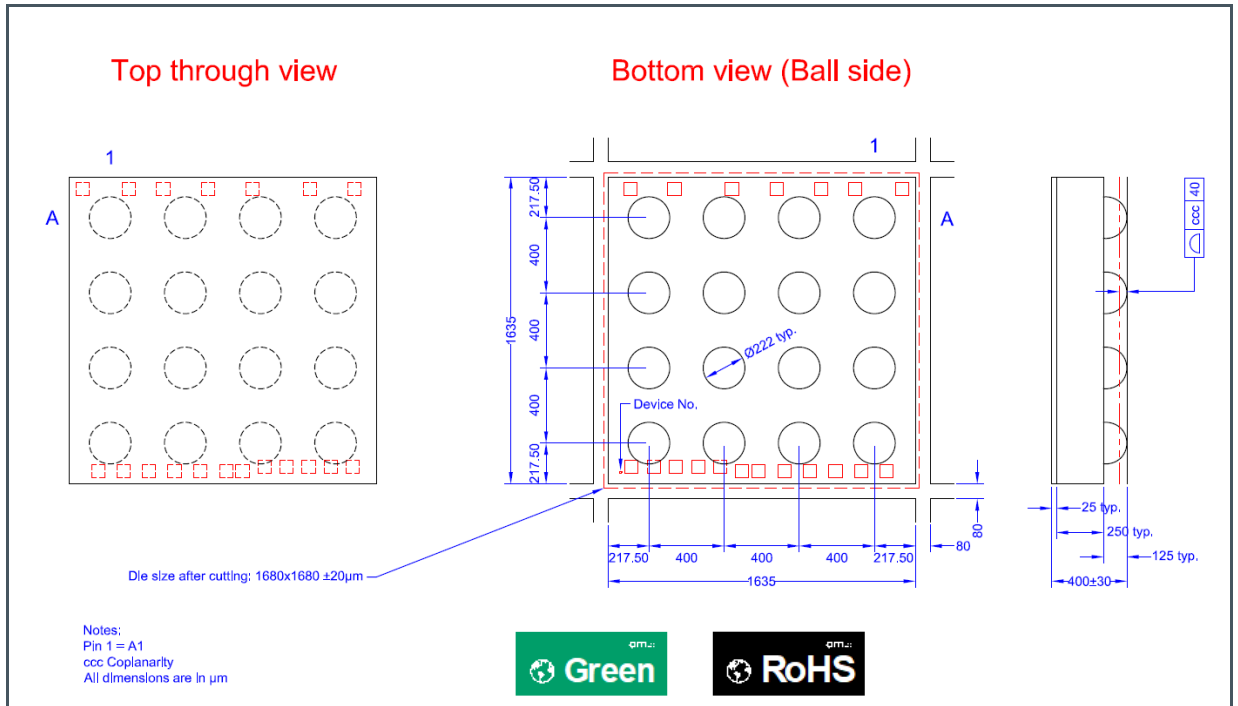
Figure 4:
Electrical Characteristics of AS7057

Symbol	Parameter	Conditions	Min	Typ	Max	Unit
V_{DD}	Supply voltage		1.7	1.8	1.98	V
I_{VDD}	Supply current in power down mode			1.1		μA
	Supply current in idle mode			2.92		μA
	Supply current PPG ADC active	One subsample, one modulator @25 SpS; enabled Stand-by Mode		10	60	μA
$f_{Sampling}$	Sampling frequency		0.5	25	1000	Hz
Photodiode						
I_{OS}	DAC offset current full scale range	FSR 0		1		μA
		FSR 1		2		
		FSR 2		4		
		FSR 3		8		
		FSR 4		16		
		FSR 5		32		
		FSR 6		64		
		FSR 7		128		
C_{PD}	Total photodiode capacitance connected to PPG_ADC	0 V reserve voltage		60	300	pF
I_{PD}	Photo current input	(\sum signal range 1 μA -64 μA)	0		64	μA
LED Driver						
V_{LED}	LED pad voltage				5	V
LED Driver 1-3						
I_{LED}	Allowed operating LED output current			200.00		mA

Symbol	Parameter	Conditions	Min	Typ	Max	Unit
V_{Compl}	Compliance voltage				0.3	V

5 Package Drawings & Markings

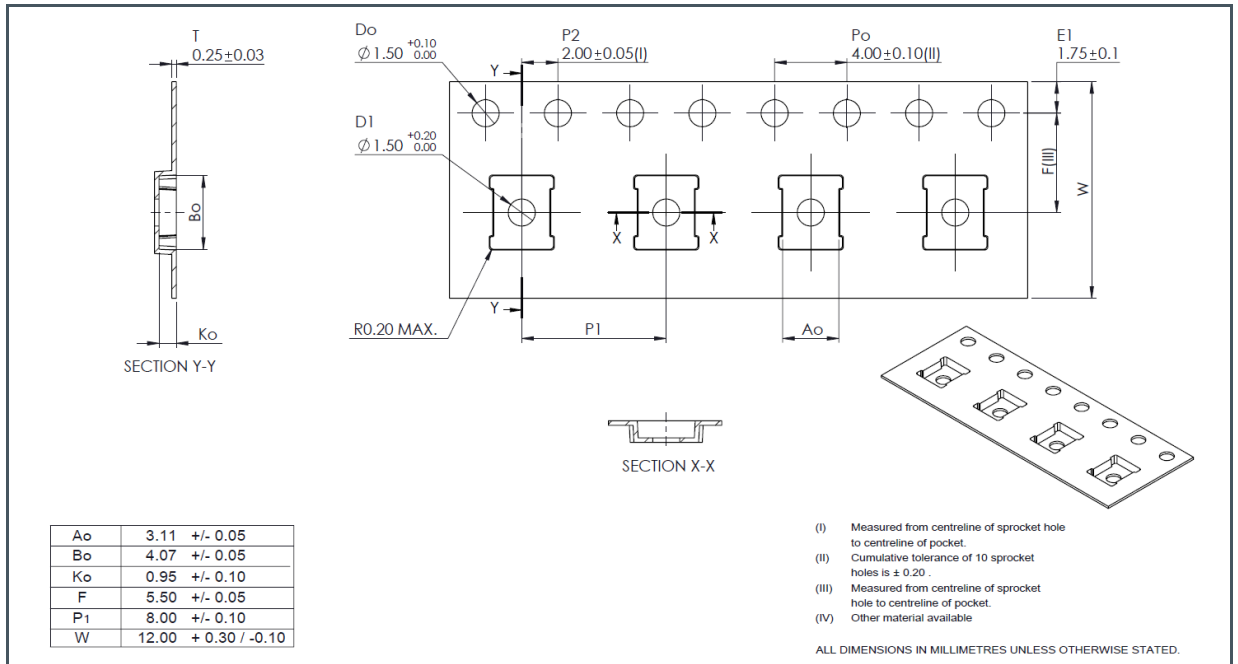
Figure 5:
WLCSP Package Outline Drawing



- (1) All dimensions are in micrometers. Angles in degrees.
- (1) Dimensions and tolerances conform to ASME Y14.5M-1994.
- (2) This package contains no lead (Pb).
- (3) This drawing is subject to change without notice.

6 Tape & Reel Information

Figure 6:
Tape Dimensions



7 Soldering & Storage Information

Figure 7:
Solder Reflow Profile Graph

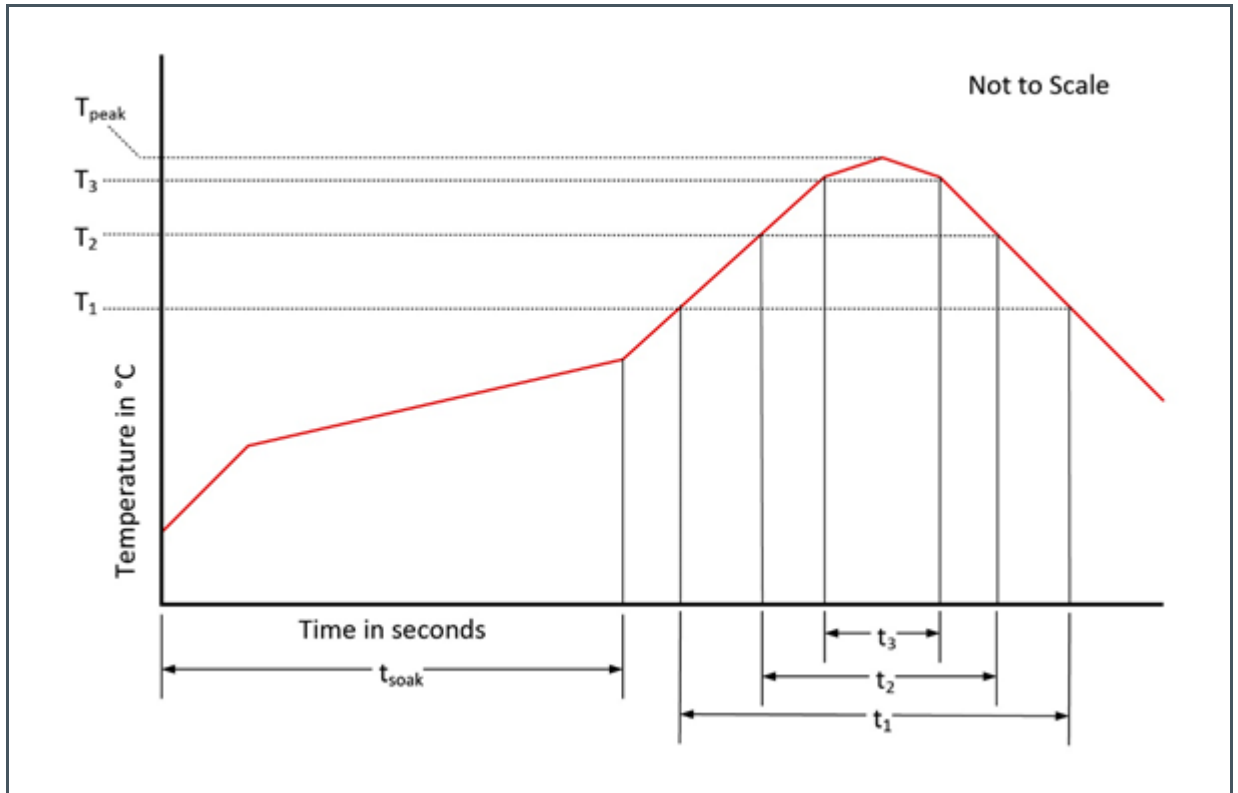


Figure 8:
Solder Reflow Profile

Parameter	Reference	Device
Average temperature gradient in preheating		2.5 °C/s
Soak time	t_{soak}	2 to 3 minutes
Time above 217 °C (T1)	t_1	Max 60 s
Time above 230 °C (T2)	t_2	Max 50 s
Time above $T_{peak} - 10$ °C (T3)	t_3	Max 10 s
Peak temperature in reflow	T_{peak}	260 °C
Temperature gradient in cooling		Max -5 °C/s

8 Revision Information

Changes from previous version to current revision v1-00	Page
This short datasheet is derived from v1-00 of full datasheet	all

- Page and figure numbers for the previous version may differ from page and figure numbers in the current revision.
- Correction of typographical errors is not explicitly mentioned.

9 Legal Information

Copyrights & Disclaimer

Copyright ams-OSRAM AG, Tobelbader Strasse 30, 8141 Premstaetten, Austria-Europe. Trademarks Registered. All rights reserved. The material herein may not be reproduced, adapted, merged, translated, stored, or used without the prior written consent of the copyright owner.

Devices sold by ams-OSRAM AG are covered by the warranty and patent indemnification provisions appearing in its General Terms of Trade. ams-OSRAM AG makes no warranty, express, statutory, implied, or by description regarding the information set forth herein. ams-OSRAM AG reserves the right to change specifications and prices at any time and without notice. Therefore, prior to designing this product into a system, it is necessary to check with ams-OSRAM AG for current information. This product is intended for use in commercial applications. Applications requiring extended temperature range, unusual environmental requirements, or high reliability applications, such as military, medical life-support or life-sustaining equipment are specifically not recommended without additional processing by ams-OSRAM AG for each application. This product is provided by ams-OSRAM AG "AS IS" and any express or implied warranties, including, but not limited to the implied warranties of merchantability and fitness for a particular purpose are disclaimed.

ams-OSRAM AG shall not be liable to recipient or any third party for any damages, including but not limited to personal injury, property damage, loss of profits, loss of use, interruption of business or indirect, special, incidental or consequential damages, of any kind, in connection with or arising out of the furnishing, performance or use of the technical data herein. No obligation or liability to recipient or any third party shall arise or flow out of ams-OSRAM AG rendering of technical or other services.

RoHS Compliant & ams Green Statement

RoHS Compliant: The term RoHS compliant means that ams-OSRAM AG products fully comply with current RoHS directives. Our semiconductor products do not contain any chemicals for all 6 substance categories plus additional 4 substance categories (per amendment EU 2015/863), including the requirement that lead not exceed 0.1% by weight in homogeneous materials. Where designed to be soldered at high temperatures, RoHS compliant products are suitable for use in specified lead-free processes.

ams Green (RoHS compliant and no Sb/Br/Cl): ams Green defines that in addition to RoHS compliance, our products are free of Bromine (Br) and Antimony (Sb) based flame retardants (Br or Sb do not exceed 0.1% by weight in homogeneous material) and do not contain Chlorine (Cl) not exceed 0.1% by weight in homogeneous material).

Important Information: The information provided in this statement represents ams-OSRAM AG knowledge and belief as of the date that it is provided. ams-OSRAM AG bases its knowledge and belief on information provided by third parties, and makes no representation or warranty as to the accuracy of such information. Efforts are underway to better integrate information from third parties. ams-OSRAM AG has taken and continues to take reasonable steps to provide representative and accurate information but may not have conducted destructive testing or chemical analysis on incoming materials and chemicals. ams-OSRAM AG and ams-OSRAM AG suppliers consider certain information to be proprietary, and thus CAS numbers and other limited information may not be available for release.

Headquarters

ams-OSRAM AG
Tobelbader Strasse 30
8141 Premstaetten
Austria, Europe
Tel: +43 (0) 3136 500 0

Please visit our website at www.ams.com

Buy our products or get free samples online at www.ams.com/Products

Technical Support is available at www.ams.com/Technical-Support

Provide feedback about this document at www.ams.com/Document-Feedback

For sales offices, distributors and representatives go to www.ams.com/Contact

For further information and requests, e-mail us at ams_sales@ams.com