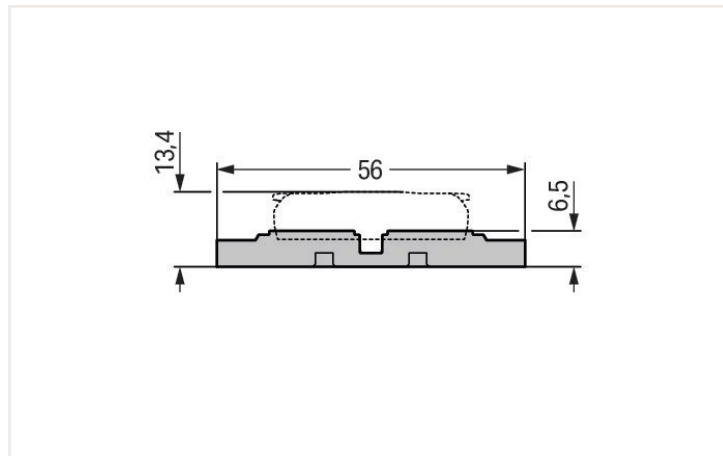


| : 221-2522

Mounting carrier; 2-way; for inline splicing connector with lever; for screw mounting;  
gray

<https://www.wago.com/221-2522>



: ■ gray

### Physical data

Width	20.8 mm / 0.819 inches
Height from the surface	6.5 mm / 0.256 inches
Depth	56 mm / 2.205 inches

### Material data

Note (material data)	<a href="#">Information on material data can be found here</a>
Color	gray
Fire load	0 MJ
Weight	3 g

### Commercial data

PU (SPU)	25 (5) Pieces
Packaging type	Box
Country of origin VKOrg Germany	CN
GTIN	4066966119930
Customs tariff number VKOrg Germany	39269097900

### Downloads

### Environmental Product Compliance

#### Compliance Search

Environmental Product  
Compliance 221-2522





## Documentation

### Additional Information

Technical Section	pdf 2142.18 KB	
-------------------	-------------------	---

## CAD/CAE-Data

<b>CAD data</b>	<b>CAE data</b>
2D/3D Models 221-2522 	ZUKEN Portal 221-2522 

## 1 Compatible products

### 1.1 Optional accessories

#### 1.1.1 Installation

##### 1.1.1.1 Mounting accessories



**: 209-119**  
Fixing screw; for 209-120 mounting carrier



**: 209-123**  
Mounting foot with screw; can be screwed on terminal blocks with fixing flange; 6.4 mm wide; gray



**: 209-120**  
Mounting foot; can be snapped on terminal blocks with snap-in mounting foot; for mounting on relay-modules; 6.4 mm wide; gray

#### 1.1.2 Marking

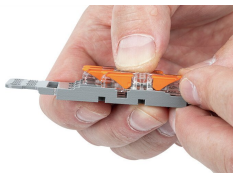
##### 1.1.2.1 Marking strip



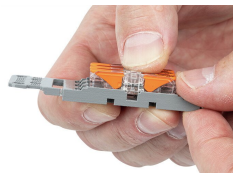
**: 210-334**  
Marking strips; as a DIN A4 sheet; Strip width 5 mm; Strip length 182 mm; plain; Self-adhesive; white

## Installation notes

### Installation



Place the inline splicing connector on the carrier in front of the mounting position.



Push the connector to the center position until it snaps into place.

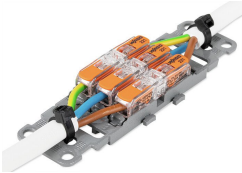


Mounting carrier without strain relief – snapped onto DIN-rail



Various combinations of 1- to 5-connector mounting carriers are possible via side-by-side latching mechanism.

### Strain relief



3-pole mounting carrier with strain relief