



Automotive Signal Common Mode Chokes

ACMS-Q4528

Request Samples



Check Inventory



4.5 x 3.2 x 2.8 mm
RoHS/RoHS II Compliant
MSL Level = 1

Features

- AEC-Q200 compliant
- PPAP ready and supported
- Manufactured in TS/IATF 16949 production lines
- Excellent impedance characteristics
- Inductance values from 11 μ H to 100 μ H

Applications

- Differential signal line common mode noise suppression.
- Multimedia devices
- Automotive applications such as ADAS, Infotainment, Sensing, TCU

Electrical Specifications

Part Number	Impedance (Ω) @10MHz		Inductance (μ H) (+50/-30%)	DCR (m Ω)	Rated Current (A)	Rated Voltage (Vdc)	Insulation Resistance (M Ω)
	Min	Typ.		Max	Max	Max	Min
ACMS-Q4528-110	300	600	11	600	0.36	50	10
ACMS-Q4528-220	500	1200	22	1000	0.31	50	10
ACMS-Q4528-510	1000	2800	51	1000	0.23	50	10
ACMS-Q4528-101	2000	5800	100	2000	0.20	50	10

Rated Current is based on an Irms temperature rise of 40°C

Inductance Test Conditions: 0.1V, 100KHz

ACMS-Q4528 is AEC-Q200 Automotive certified

ACMS-Q4528 Series is RoHS Compliant and Pb free

Operating Temperature: -55°C to +150°C (Including self-heating)

Storage Temperature (on PCB): -55°C to +150°C

Storage (in original packaging): <40°C, <60% RH



5101 Hidden Creek Ln, Spicewood TX 78669
Phone: 512-371-6159 Fax: 512-351-8858
For terms and conditions of sales, please visit:
www.abracon.com

REVISION Initial Release
3/31/2022

ABRACON IS
ISO9001-2015
CERTIFIED



Automotive Signal Common Mode Chokes

ACMS-Q4528

Request Samples



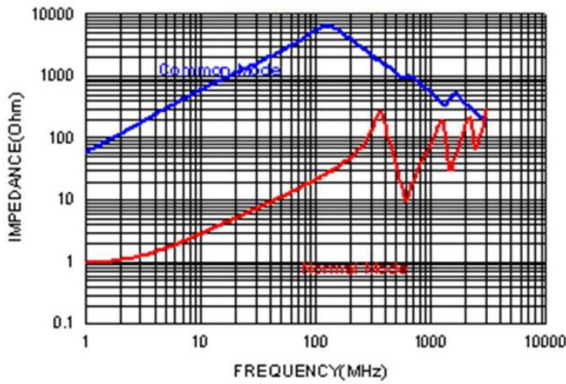
Check Inventory



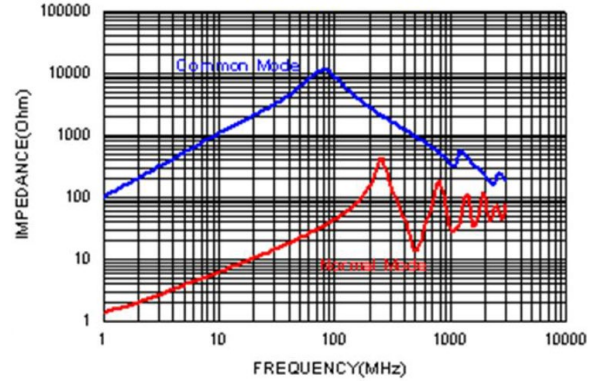
4.5 x 3.2 x 2.8 mm
RoHS/RoHS II Compliant
MSL Level = 1

Electrical Specifications

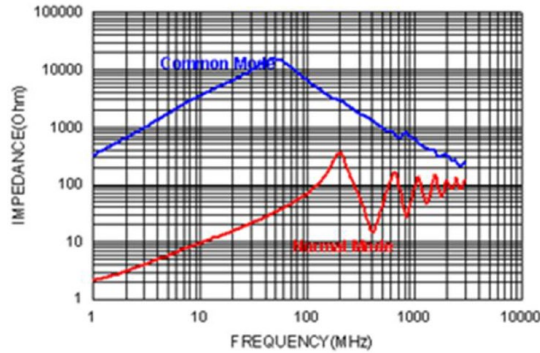
ACMS-Q4528-601



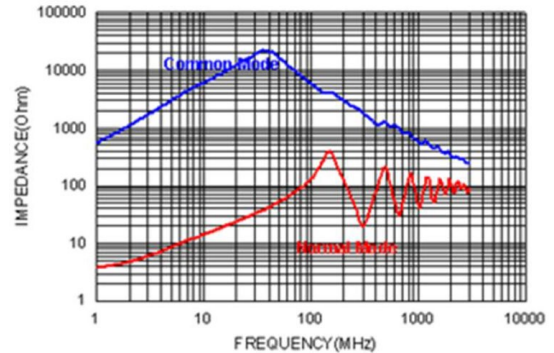
ACMS-Q4528-122



ACMS-Q4528-282



ACMS-Q4528-582





Automotive Signal Common Mode Chokes

ACMS-Q4528

Request Samples

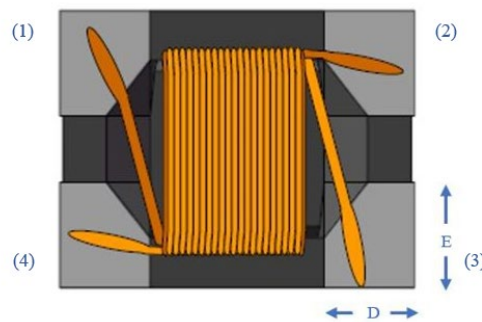
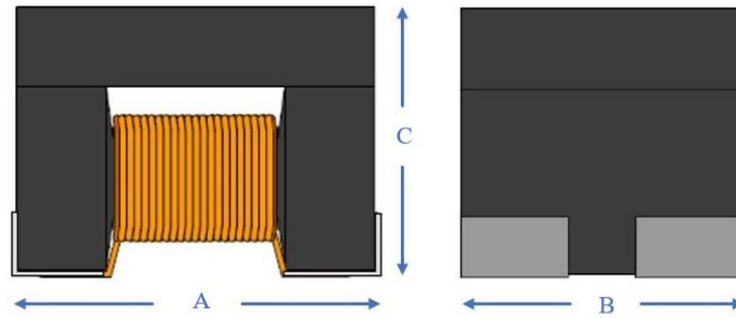


Check Inventory

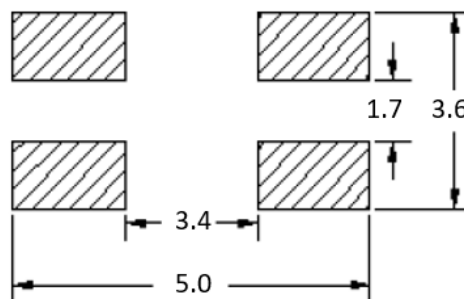


4.5 x 3.2 x 2.8 mm
RoHS/RoHS II Compliant
 MSL Level = 1

Mechanical Specifications



A	B	C	D	E
4.5 ±0.2	3.2 ±0.2	2.8 ±0.2	0.75 ±0.2	0.85 ±0.2



Recommended Layout

Dimensions: mm



5101 Hidden Creek Ln, Spicewood TX 78669
 Phone: 512-371-6159 Fax: 512-351-8858
 For terms and conditions of sales, please visit:
www.abracon.com

REVISION Initial Release
 3/31/2022

ABRACON IS
 ISO9001-2015
 CERTIFIED



Automotive Signal Common Mode Chokes

ACMS-Q4528

Request Samples

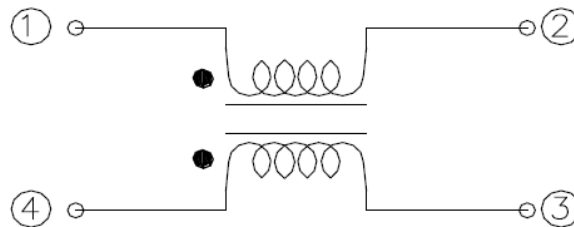


Check Inventory

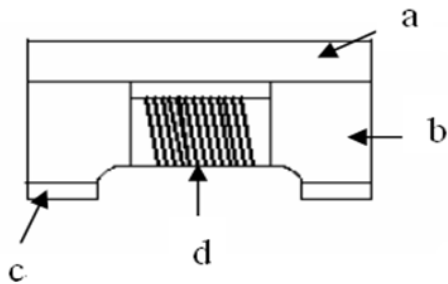


4.5 x 3.2 x 2.8 mm
RoHS/RoHS II Compliant
 MSL Level = 1

Schematic

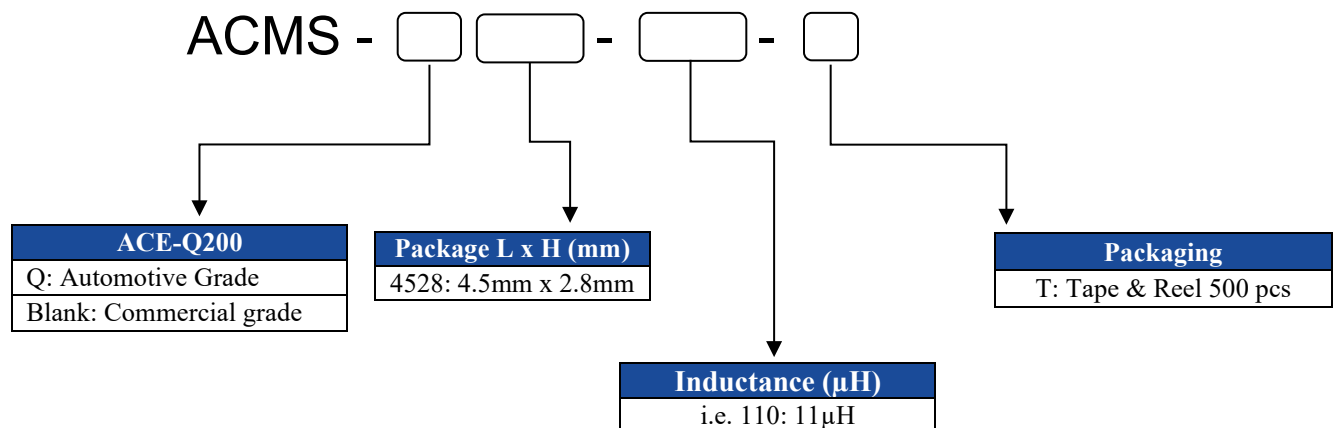


Materials



	Description	Specification
a	Upper Plate	Ferrite
b	Core	Ferrite Core
c	Electrode	Ag/Ni/Sn
d	Wire	Enameled Copper Wire

Part Identification





Automotive Signal Common Mode Chokes

ACMS-Q4528

Request Samples

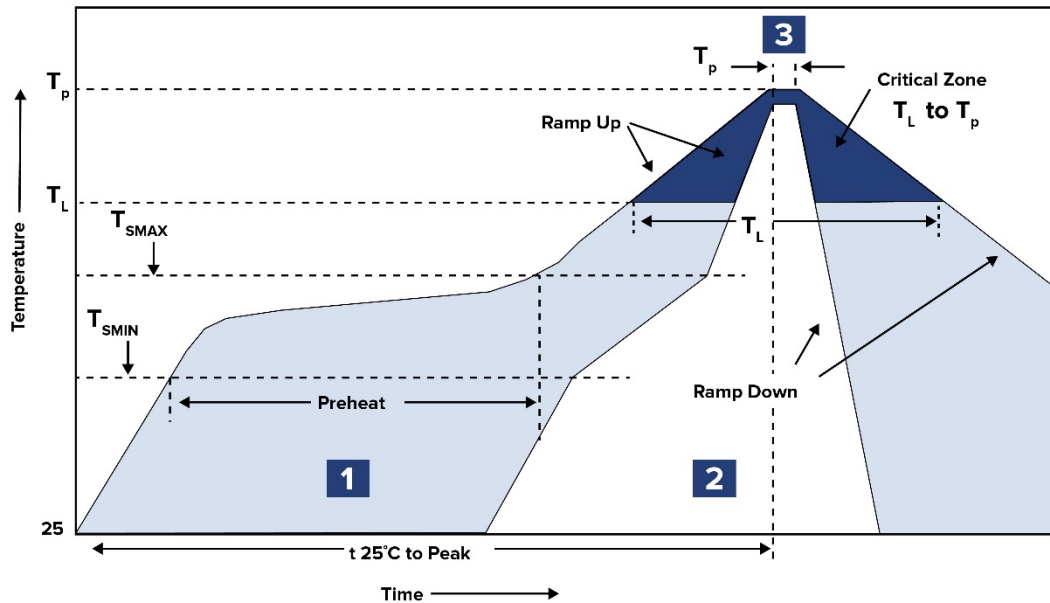


Check Inventory



4.5 x 3.2 x 2.8 mm
 RoHS/RoHS II Compliant
 MSL Level = 1

Reflow Profile



Zone	Description	Temperature	Times
1	Preheat	$T_{SMIN} \sim T_{SMAX}$ 150°C ~ 200°C	60 ~ 180 sec.
2	Reflow	T_L 217°C	60 ~ 150 sec.
3	Peak heat	T_p 250°C ±5°C	30 sec. MAX



Automotive Signal Common Mode Chokes

ACMS-Q4528

Request Samples



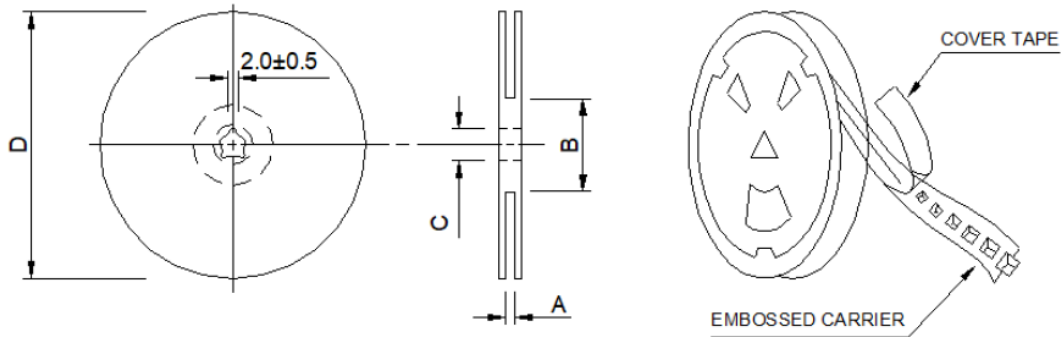
Check Inventory



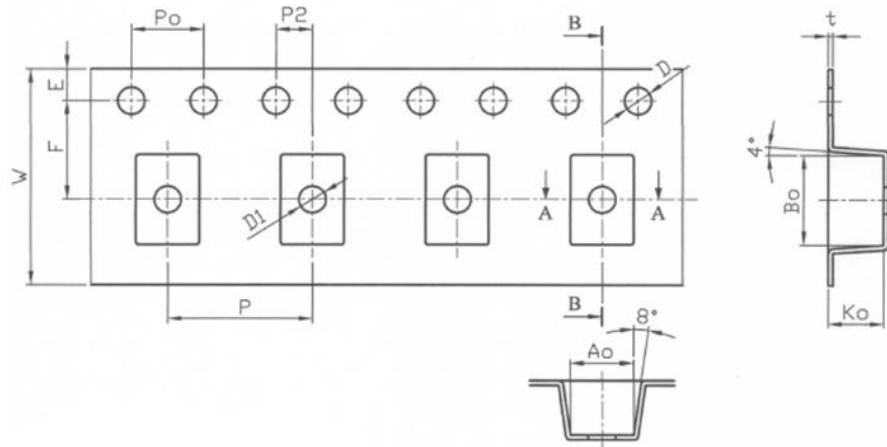
4.5 x 3.2 x 2.8 mm
RoHS/RoHS II Compliant
 MSL Level = 1

Packaging

Tape & Reel: 500pcs/reel



Series	A	B	C	D
ACMS-Q4528	13.5 ± 0.5	60.0 ± 2.0	13.5 ± 0.5	178 ± 2.0



W	P	E	F	P0	P2	B0	A0	K0	D	D1	t
12.0 ± 0.10	8.0 ± 0.10	1.75 ± 0.10	5.5 ± 0.10	4.0 ± 0.10	2.0 ± 0.10	4.9 ± 0.10	3.6 ± 0.10	3.0 ± 0.10	1.5 $+0.10/-0$	1.5 ± 0.10	0.26 ± 0.05

Dimensions: mm

ATTENTION: Abracon LLC's products are COTS – Commercial-Off-The-Shelf products; suitable for Commercial, Industrial and, where designated, Automotive Applications. Abracon's products are not specifically designed for Military, Aviation, Aerospace, Life-dependent Medical applications or any application requiring high reliability where component failure could result in loss of life and/or property. For applications requiring high reliability and/or presenting an extreme operating environment, written consent and authorization from Abracon LLC is required. Please contact Abracon LLC for more information.



5101 Hidden Creek Ln, Spicewood TX 78669
 Phone: 512-371-6159 Fax: 512-351-8858
 For terms and conditions of sales, please visit:
www.abracon.com

REVISION Initial Release
 3/31/2022

ABRACON IS
 ISO9001-2015
 CERTIFIED