

# CapLock & PlugLock

Locking accessories for 38999, RJFTV, USBFTV Connectors and Caps...



## The contribution of Connectors to better Cybersecurity - 38999 Series III, RJFTV, USBFTV...

**Cybersecurity** is achieved through a combination of precautions, not just one, such as a password. One way to reduce the risk of opportunity intrusion into the electronics through the connectors is by adding locking devices.

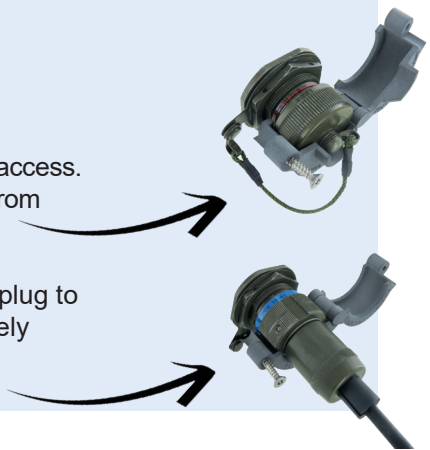


### Main Characteristics :

- Locking system preventing any connector. Prevent from intrusion or human error.
- For MIL-DTL-38999 series III shell type.
- Shocks : IK06 : weight of 250g drop from 40cm [15.75 in] onto the caplock or pluglock mounted.
- 3D Printed with composite material.
- Colour : Grey.
- 2 Locking types available:
  - Cable seal, metal wire, must be cut to unlock.
  - Torx Safety screw, removable with an adapted key wrench.

**CapLock** is a locking ring that allows a Cap to lock onto a receptacle to secure the port access. Once locked around the cap, Caplock turns freely around the cap and prevents fingers from unlocking it.

**PlugLock** is a locking ring that allows a plug to lock onto a receptacle to secure the plug to receptacle connection. Once locked around the plug coupling nut, Pluglock turns freely around it and prevent the fingers from unlocking it.



### Watch our video

Amphenol SOCAPEX

Avoids unauthorized access

CapLock Safety Torx Screw option

Scan & discover !

CapLock assembly instruction video

Amphenol SOCAPEX

Screw until it stops

PlugLock Safety Torx Screw option

Scan & discover !

PlugLock assembly instruction video

### Markets & Applications



**C5ISR**  
 Network Access & Maintenance Ports securing  
 Military Computers Ports securing  
 SDR Radios Ports securing  
 Human Machine Interface securing



**Naval**  
 Consoles Ports securing  
 Network Access & Maintenance Ports securing  
 Data Centers



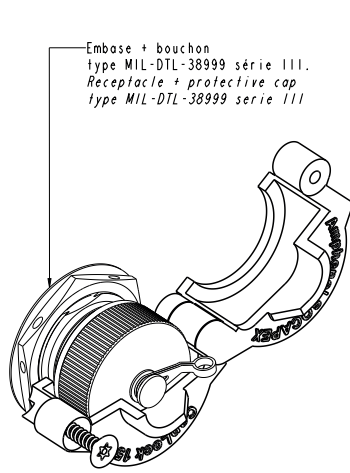
**Military Aerospace & Airframe**  
 Radars  
 Display unit  
 Flight control system



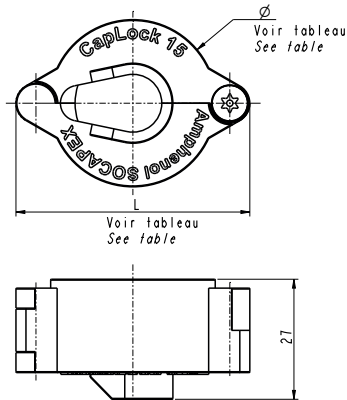
**Military vehicles**  
 Vetrronics  
 Optronics  
 Communication Systems

## Overall dimension

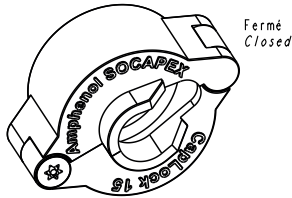
Part number type: **CapLock XX TX**



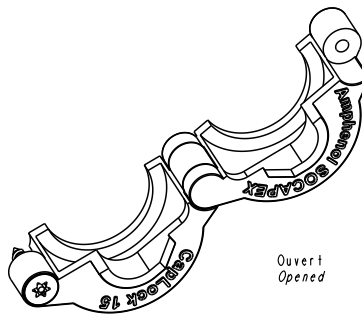
Embase + bouchon  
type MIL-DTL-38999 série III.  
Receptacle + protective cap  
type MIL-DTL-38999 serie III



Shell size	$\varnothing \pm 0.2/[0.008]$	$L \pm 0.2/[0.008]$
T09	28.6 / [1.102]	43.6 / [1.692]
T11	33.6 / [1.299]	48.6 / [1.889]
T13	36.6 / [1.417]	51.6 / [2.007]
T15	37.6 / [1.456]	52.6 / [2.047]
T17	42.6 / [1.653]	57.6 / [2.244]
T19	44.6 / [1.732]	59.6 / [2.322]
T21	47.6 / [1.850]	62.6 / [2.440]
T23	50.6 / [1.968]	65.6 / [2.559]
T25	54.6 / [2.125]	69.6 / [2.716]



Fermé  
Closed



Ouvert  
Opened

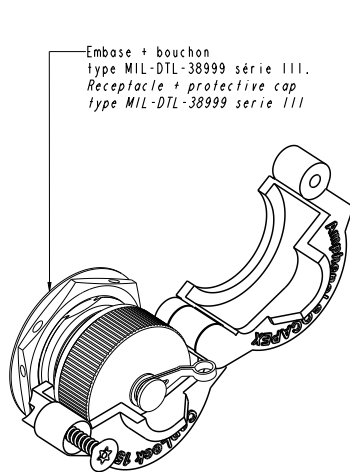
### Tools to be ordered separately



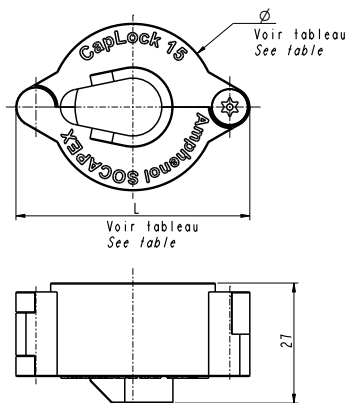
Clé de verrouillage réf: **30712**  
locking tool P/N: **30712**

Embout de verrouillage réf: **30711**  
locking tool P/N: **30711**

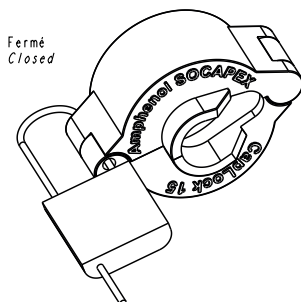
Part number type: **CapLock XX WR**



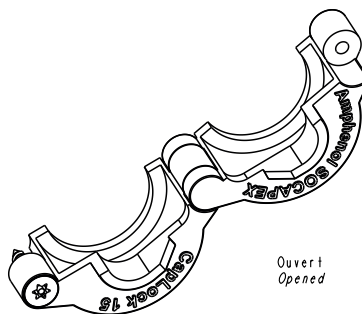
Embase + bouchon  
type MIL-DTL-38999 série III.  
Receptacle + protective cap  
type MIL-DTL-38999 serie III



Shell size	$\varnothing \pm 0.2/[0.008]$	$L \pm 0.2/[0.008]$
T09	28.6 / [1.102]	43.6 / [1.692]
T11	33.6 / [1.299]	48.6 / [1.889]
T13	36.6 / [1.417]	51.6 / [2.007]
T15	37.6 / [1.456]	52.6 / [2.047]
T17	42.6 / [1.653]	57.6 / [2.244]
T19	44.6 / [1.732]	59.6 / [2.322]
T21	47.6 / [1.850]	62.6 / [2.440]
T23	50.6 / [1.968]	65.6 / [2.559]
T25	54.6 / [2.125]	69.6 / [2.716]

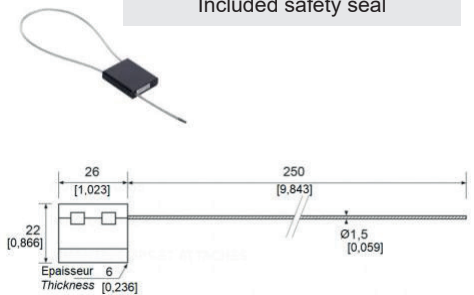


Fermé  
Closed



Ouvert  
Opened

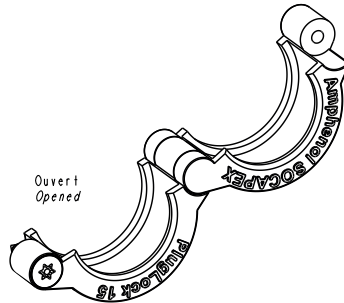
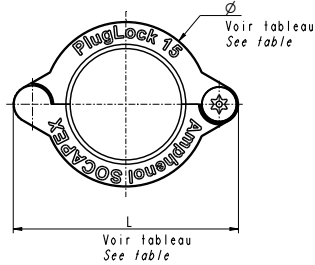
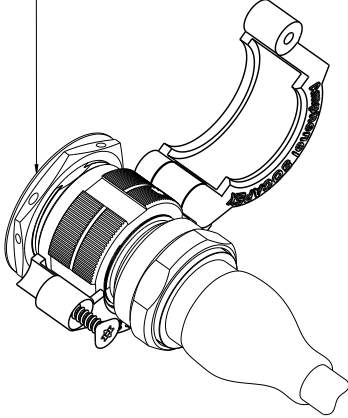
### Included safety seal



## Overall dimension

Part number type: **PlugLock XX TX**

Embase et fiche connectées  
type MIL-DTL-38999 série III  
Mated receptacle and plug  
type MIL-DTL-38999 serie III



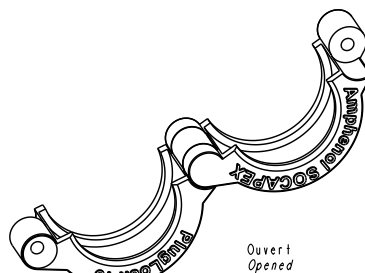
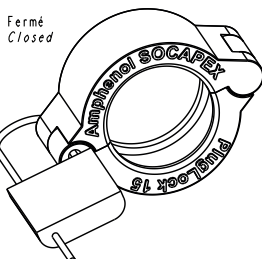
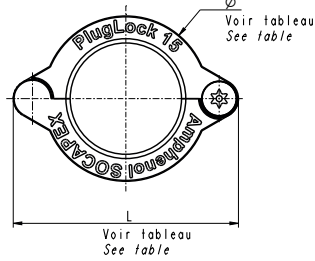
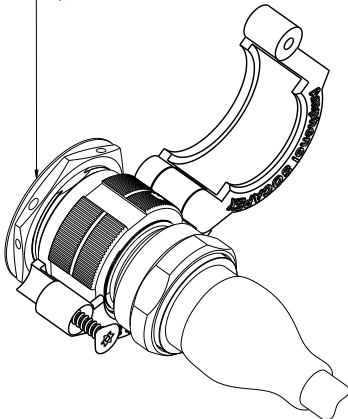
Shell size	Ø ±0.2/[0.008]	L ±0.2/[0.008]
T09	28.3 / [1.102]	42.3 / [1.653]
T11	31 / [1.220]	45 / [1.771]
T13	35.4 / [1.377]	49.4 / [1.929]
T15	38.6 / [1.496]	52.6 / [2.047]
T17	42.1 / [1.653]	56.1 / [2.204]
T19	44.8 / [1.732]	58.8 / [2.283]
T21	48 / [1.889]	62 / [2.440]
T23	51 / [2.007]	65 / [2.559]
T25	54.2 / [2.125]	68.2 / [2.677]

Tools to be ordered separately



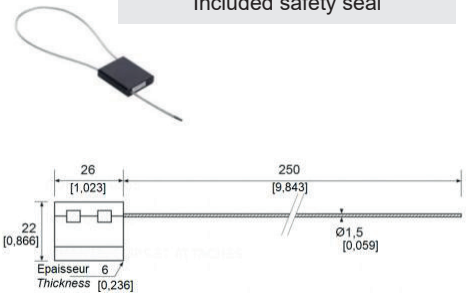
Part number type: **PlugLock XX WR**

Embase et fiche connectées  
type MIL-DTL-38999 série III  
Mated receptacle and plug  
type MIL-DTL-38999 serie III



Shell size	Ø ±0.2/[0.008]	L ±0.2/[0.008]
T09	28.3 / [1.102]	42.3 / [1.653]
T11	31 / [1.220]	45 / [1.771]
T13	35.4 / [1.377]	49.4 / [1.929]
T15	38.6 / [1.496]	52.6 / [2.047]
T17	42.1 / [1.653]	56.1 / [2.204]
T19	44.8 / [1.732]	58.8 / [2.283]
T21	48 / [1.889]	62 / [2.440]
T23	51 / [2.007]	65 / [2.559]
T25	54.2 / [2.125]	68.2 / [2.677]

Included safety seal



# HOW TO ORDER

1.

2.

3.

Series	Shell size	Locking
CapLock	19	TX

## 1. Series

CapLock	Locking ring for caps of 38999 Series III Receptacles
PlugLock	Locking ring for 38999 Series III Plugs

## 3. Locking

WR	Cable seal, metal wire to cut to unlock
TX	Torx Safety screw

## 2. Shell size

9	For MIL DTL 38999 Series III size 9 shells
11	For MIL DTL 38999 Series III size 11 and TV µCom shells
13	For MIL DTL 38999 Series III size 13 and MPOF TV and MDPF TV shells
15	For MIL DTL 38999 Series III size 15 and USB Field TV shells
17	For MIL DTL 38999 Series III size 17 shells
19	For MIL DTL 38999 Series III size 19 and RJF TV and LCF TV shells
21	For MIL DTL 38999 Series III size 21 shells
23	For MIL DTL 38999 Series III size 23 shells
25	For MIL DTL 38999 Series III size 25 shells

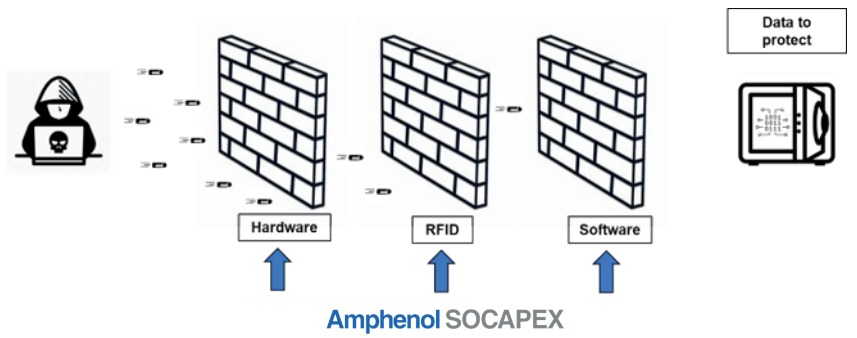
## Examples :

Part number	Description
CapLock19TX	Locking ring for caps of 38999 Series III Receptacles size 19 with torx locking system
CapLock19WR	Locking ring for caps of 38999 Series III Receptacles size 19 with seal cable locking system
PlugLock9TX	Locking ring for caps of 38999 Series III Receptacles size 9 with torx locking system

✓ : RoHS compliant

# Amphenol SOCAPEX Other Solutions for Cybersecurity

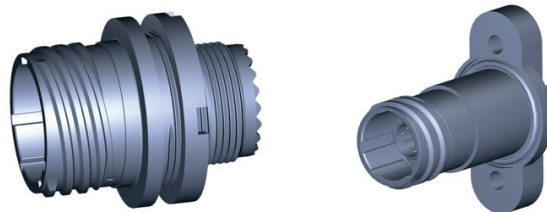
**Cybersecurity** is achieved through a combination of precautions, not just one such as a password. Connectors can contribute



## ► Hardware : Go through Fiber Optics via our Media Converters



## ► Hardware : Use our receptacles which cannot be dismantled from outside the box



## ► Hardware : Use our Adapters RJ45 & USB ↔ 38999 & 26482

RJ45 ◀ MIL-DTL-26482 Type	RJF Receptacle ◀ Quadrax receptacle	USB ◀ MIL-DTL-26482 Type	USB FTV ◀ 38999 11-98 plug
<ul style="list-style-type: none"> <li>► RJ45 ↔ Standard 26482 12-10 pin layout adapter</li> <li>► ABS 1547 for Avionics applications</li> </ul>	<ul style="list-style-type: none"> <li>► RJ45 ↔ 2 Quadrax contacts - Bulkhead</li> <li>► Avionics applications</li> </ul>	<ul style="list-style-type: none"> <li>► USB ↔ Standard 26482 12-10 pin layout adapter</li> <li>► ABS 1547 for Avionics applications</li> </ul>	<ul style="list-style-type: none"> <li>► USB FTV ↔ Standard 38999 11-98 pin layout adapter</li> <li>► C4ISR &amp; Avionics applications</li> </ul>

## ► RFID : Under investigation



# NOTES

A series of horizontal dotted lines spanning the width of the page, providing a template for handwritten notes.



# NOTES

Lined area for notes, consisting of multiple horizontal dotted lines.



# CapLock **NEW**

## Secures physical access to receptacles



The advertisement for CapLock features a dark blue background with a grid of white dots and binary code. On the left, two circular images show a grey receptacle with a black cap being attached. The second image includes a blue padlock icon. To the right, a large, glowing blue shield with a white keyhole is centered, with a circular ripple effect below it.

# PlugLock **NEW**

## Locking Device to Secure Connectors



The advertisement for PlugLock features a dark blue background with a network diagram of white lines and dots. On the left, two circular images show a grey connector with a black plug being attached. The second image includes a blue padlock icon. To the right, several blue padlock icons are scattered across the network diagram.