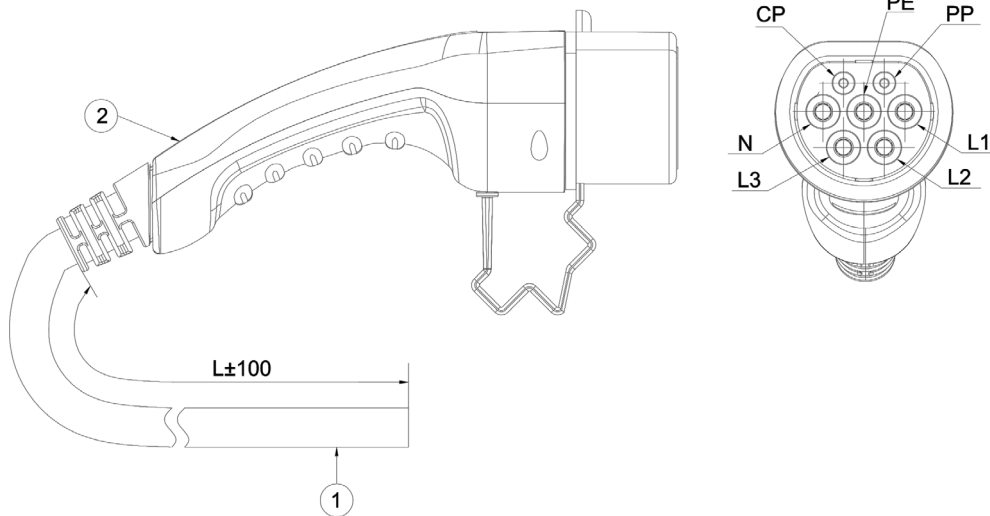


RoHS
Compliant



Specification

Rated Current	: 16A 32A
Rated Voltage	: 250V AC 1P/480V AC 3P
Insulation Resistance	: >1000MΩ (DC500V)
Contact Resistance	: 0.5mΩ Max
Withstand Voltage	: 2000V
Fire Rating	: UL94 V-0
Insertion and Extraction force	: F≤100N
Protection level	: IP54
Housing	: Thermoplastic Plastics
Conduct	: Copper silver coating
Environment	: -30°C to +50°C

Item	Description	Quantity	U/M
1	EU EV Cable Black	1	EA
2	EU EV Type 2 Female Charge Gun		

Notes

1. Cable : The Cord Shall Comply with EN50620
2. Plug : The Plug Shall Comply With IEC 62196-2 Sheet 2-IIe
3. The product shall be tested 100% for all safety electrical

Part Number Table

Description	Part Number
EV Charging Cable, 32A, EU Type2 Male	MP009735

Dimensions : Millimetres

Important Notice : This data sheet and its contents (the "Information") belong to the members of the AVNET group of companies (the "Group") or are licensed to it. No licence is granted for the use of it other than for information purposes in connection with the products to which it relates. No licence of any intellectual property rights is granted. The Information is subject to change without notice and replaces all data sheets previously supplied. The Information supplied is believed to be accurate but the Group assumes no responsibility for its accuracy or completeness, any error in or omission from it or for any use made of it. Users of this data sheet should check for themselves the Information and the suitability of the products for their purpose and not make any assumptions based on information included or omitted. Liability for loss or damage resulting from any reliance on the Information or use of it (including liability resulting from negligence or where the Group was aware of the possibility of such loss or damage arising) is excluded. This will not operate to limit or restrict the Group's liability for death or personal injury resulting from its negligence. Multicomp Pro is the registered trademark of Premier Farnell Limited 2019.

Newark.com/multicomp-pro
Farnell.com/multicomp-pro
sg.element14.com/b/multicomp-pro