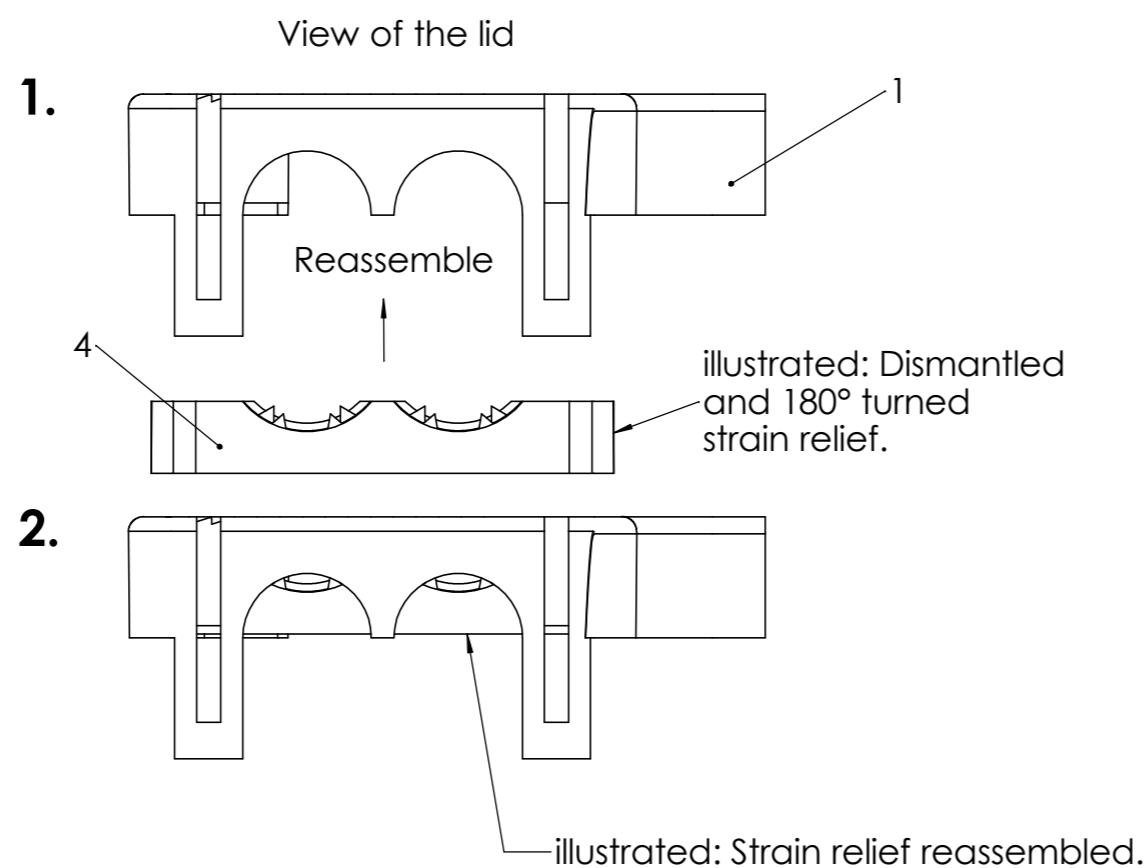
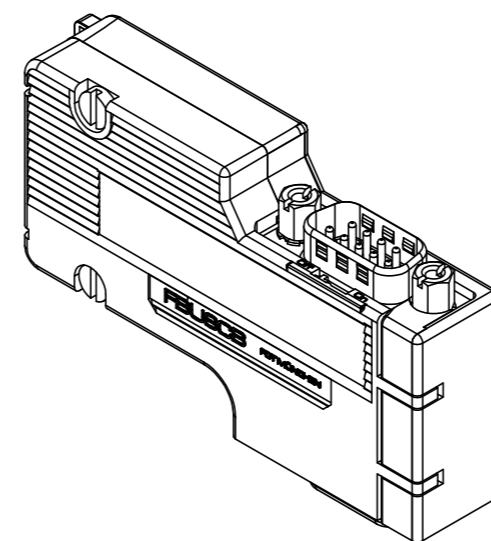


Optional application for smaller CAN-Cable diameters (ϕ 4,5-5,0mm)



For CAN- cable diameters of ϕ 4,5-5,0mm the strain relief in the lid must be dismantled by screw driver and reassembled again with the strain relief turned by 180° with the springs dismantled.



Delivery status:
 -Screws no. 6 turned out
 -Switch no. 5 at position "OFF"
 -Bus Connector with instruction leaflet packed in carton
 -Information for PCB assembly see drawing:
 PCB assembly-FBUS_B-bestückt

No.	Sf.	Part	Type Description/Material	Surface plating/Colour/Class
1	1	FBUS-lid	Plastic	magenta
2	1	FBUS-base	Plastic	magenta
3	1	Fixing element	Plastic	magenta
4	2	Strain relief	Plastic	nickel plated
5	1	Switch lever	Plastic	black
6	2	Screw	Steel	zinc plated
7	2	Female screw lock	Brass	nickel plated
8	2	Toothed locked washer	Steel	nickel plated
9	1	PCB-FBUS_B-assembly		

2	23-01-2003	2 1212	 a molex company	SCALE 2:1 DATE 07-03-2002 NAME ADenzinger CHECKED 23-01-2003 okappla	TITLE CANBus-Stecker FBUSCB	DWG.NO. FBUSCB	REV.
1							2
REV.	DATE	CH.-NO.	ORIGINAL: DIN A2-DRAWING AS A FILE	REPLACEMENT FOR:	FBUSCB	PAGES	1