



Product Overview

SMA Connector Gold Plated SMA Coaxial Connector



A straight SMA female RF coaxial connector for SMA male RF antennas.

Impedance: 50Ω.

Connector mounting: PCB mount.

Working voltage – 335V Max

Insulation resistance - $\geq 5000\text{m}\Omega$

Dielectric withstand voltage- 1000V rms

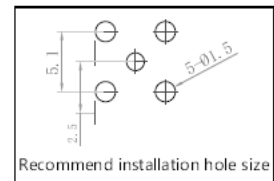
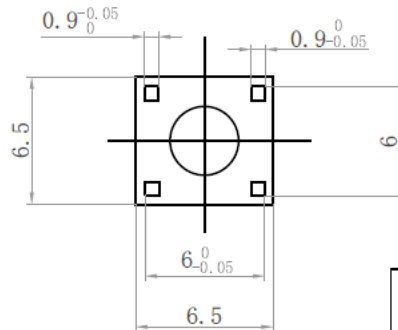
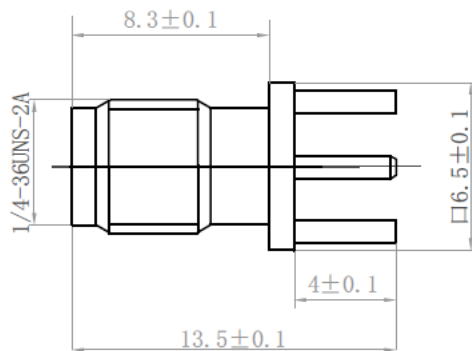
Frequency range – DC-12.4GHz

Insertion loss ≥ 1.05 dB/6 GHz

Temperature range - -65°C to 165°C



Dimensions in mm:



Product Code: SMACONNECTOR
Order code: SMACONNECTOR



Low Power Radio Solutions Ltd
Two Rivers industrial Estate
Station Lane, Witney OX28 4BH, UK
+44(0) 1993 709418
sales@lprs.co.uk