

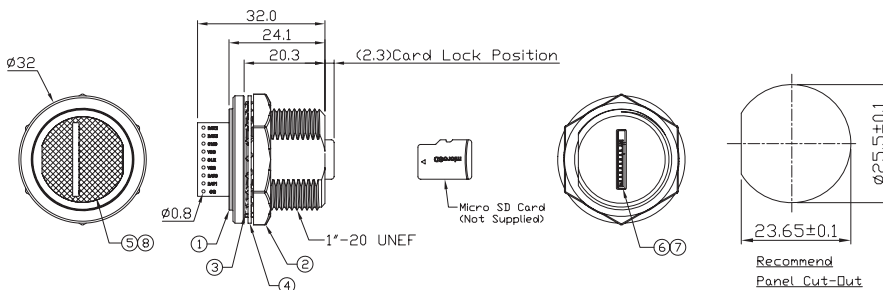
Micro SD Card Metal C4 Panel Jack Screw

**RoHS
Compliant**

Specifications

Contact	: 9 Pins
Current Rating	: 0.5A
Voltage Rating	: 5V AC
Insulation Resistance	: 500mΩ min
Dielectric Withstanding Voltage	: 500V AC Max (1 minute)
Temperature Range	: -40°C to +85°C
IP Rating	: IP68

Diagram



Item	Part Name	Material / Finish	Qty
1	Housing	Zn Alloy; Finish: Ni-Plated	1
2	Hex Nut	Zn Alloy; Finish: Ni-Plated	
3	O-Ring	Silicone; Colour: Red	
4	Metal Washer	Stainless	
5	Holder	Silicone; Colour: Black	
6	PCB	FR-R	
7	Micro SD Card Push Type	Housing: Thermoplastic, Colour: Black Contacts: Copper Alloy; Finish: Au-Plated Shell: Stainless Steel; Finish: Ni-Plated	
8	Glue	Epoxy; Colour: Black	-

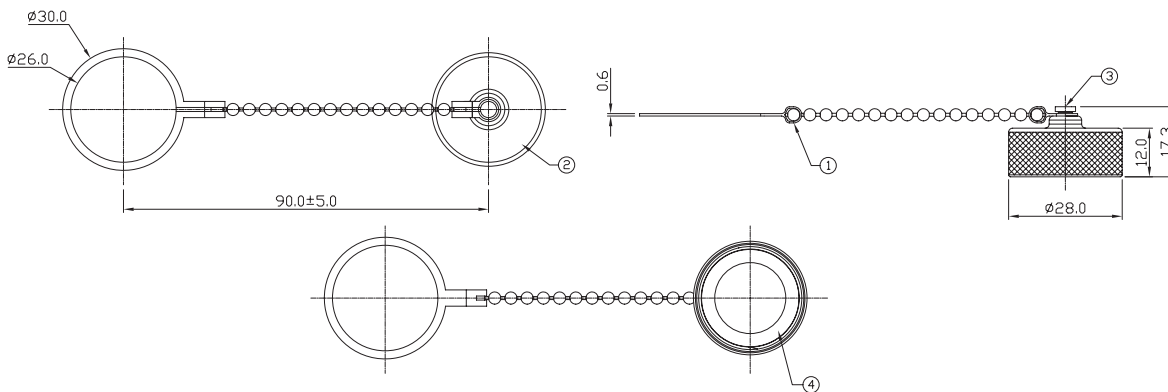
Dimensions : Millimetres

Metal Cap for C4 Screw Panel with Metal Chain

Specifications

Temperature Range : -40°C to +80°C
 IP Rating : IP68

Diagram



Item	Part Name	Material / Finish	Qty
1	Metal Chain	Stainless	1
2	Metal Screw Cap	Copper Alloy; Finish: Ni-Plated	
3	Metal Rivet	Copper Alloy; Finish: Ni-Plated	
4	Rubber Pad	Silicone; Colour: Black	

Part Number Table

Description	Part Number
Micro SD Card Connector, Metal, C4 Panel Mount, Jack Screw with Cap	MP009827

Dimensions : Millimetres

Important Notice : This data sheet and its contents (the "Information") belong to the members of the AVNET group of companies (the "Group") or are licensed to it. No licence is granted for the use of it other than for information purposes in connection with the products to which it relates. No licence of any intellectual property rights is granted. The Information is subject to change without notice and replaces all data sheets previously supplied. The Information supplied is believed to be accurate but the Group assumes no responsibility for its accuracy or completeness, any error in or omission from it or for any use made of it. Users of this data sheet should check for themselves the Information and the suitability of the products for their purpose and not make any assumptions based on information included or omitted. Liability for loss or damage resulting from any reliance on the Information or use of it (including liability resulting from negligence or where the Group was aware of the possibility of such loss or damage arising) is excluded. This will not operate to limit or restrict the Group's liability for death or personal injury resulting from its negligence. Multicomp Pro is the registered trademark of Premier Farnell Limited 2019.

Newark.com/multicomp-pro
 Farnell.com/multicomp-pro
 sg.element14.com/b/multicomp-pro