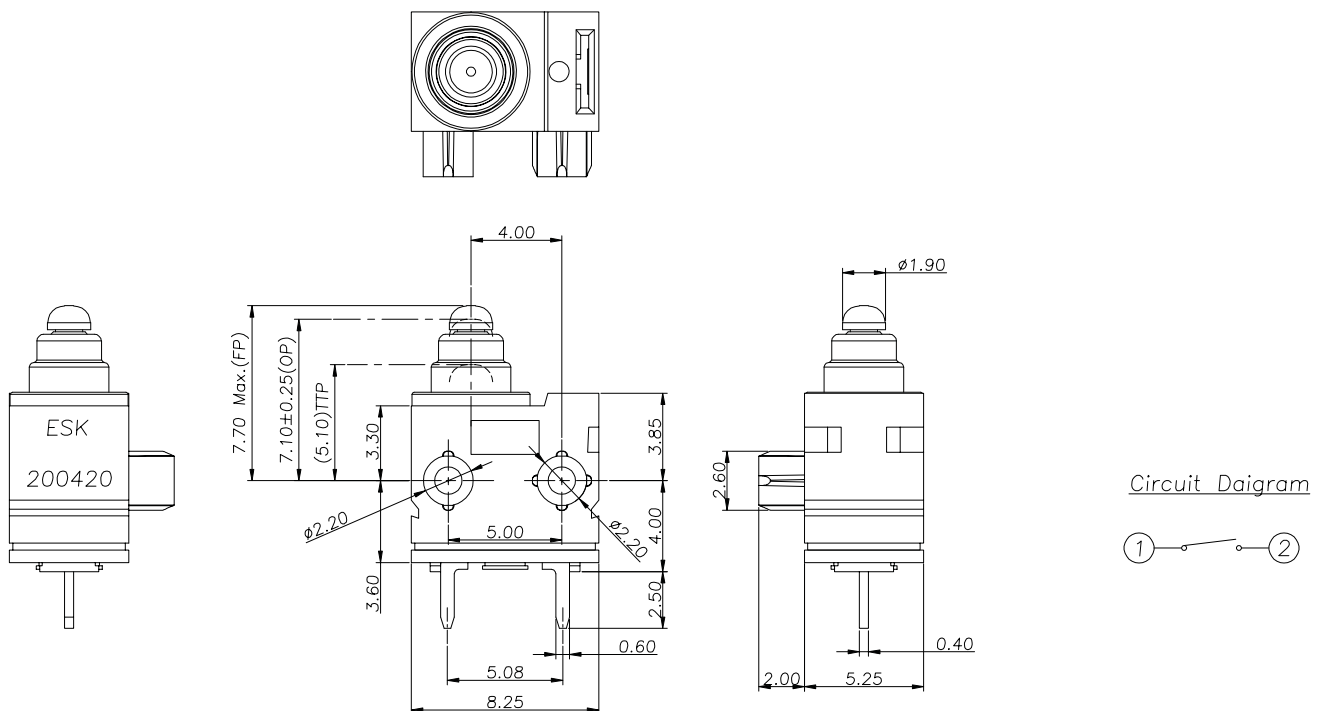


RoHS  
Compliant

## Specifications

Rating	: 1mA 5V DC to 50mA 16V DC
Initial contact resistance	: 1Ω Max.
Insulation resistance	: 100MΩ min. 500V DC
Dielectric strength	: 500V AC for 1 minute.
Operating force	: 160gf max. (1.57N Max)
Operating life	: 300,000 cycles Min. (DC5V 1mA) 200,000 cycles Min. (DC12V 50mA) 150,000 cycles Min. (DC16V 50mA)
General tolerances	: ±0.2mm

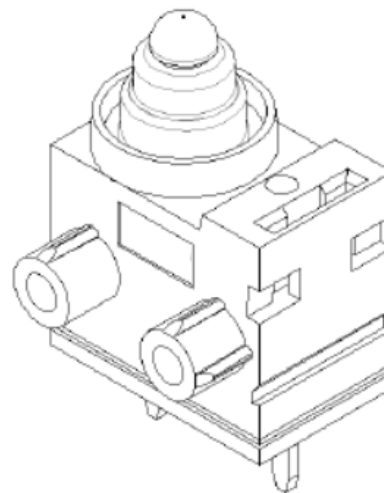
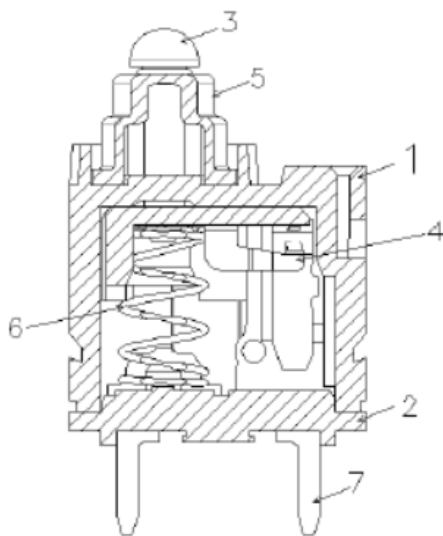
## Diagram



Dimensions : Millimetres

# Detector Switches

Item	Desc.	Q'ty	Materials	Treatment
1	Cover	1	Hightemp Thermoplastic LCP	Black
2	Base			White
3	Button			Black
4	Contact		Copper	Ag Plating
5	Rubber		Silicone Rubber	Orange
6	Spring		Stainless Steel	Ag Plating
7	Terminal		Brass	



## Part Number Table

Description	Part Number
Detector Switch, SPST, 50mA, 16V DC, Through Hole, PCB Terminal, IP67	MP010052
Detector Switch, SPST, 50mA, 16V DC, Through Hole, Solder Terminal, IP67	MP010053

**Important Notice :** This data sheet and its contents (the "Information") belong to the members of the AVNET group of companies (the "Group") or are licensed to it. No licence is granted for the use of it other than for information purposes in connection with the products to which it relates. No licence of any intellectual property rights is granted. The Information is subject to change without notice and replaces all data sheets previously supplied. The Information supplied is believed to be accurate but the Group assumes no responsibility for its accuracy or completeness, any error in or omission from it or for any use made of it. Users of this data sheet should check for themselves the Information and the suitability of the products for their purpose and not make any assumptions based on information included or omitted. Liability for loss or damage resulting from any reliance on the Information or use of it (including liability resulting from negligence or where the Group was aware of the possibility of such loss or damage arising) is excluded. This will not operate to limit or restrict the Group's liability for death or personal injury resulting from its negligence. Multicomp Pro is the registered trademark of Premier Farnell Limited 2019.