
cRIO-9038

Getting Started

2022-07-06



Contents

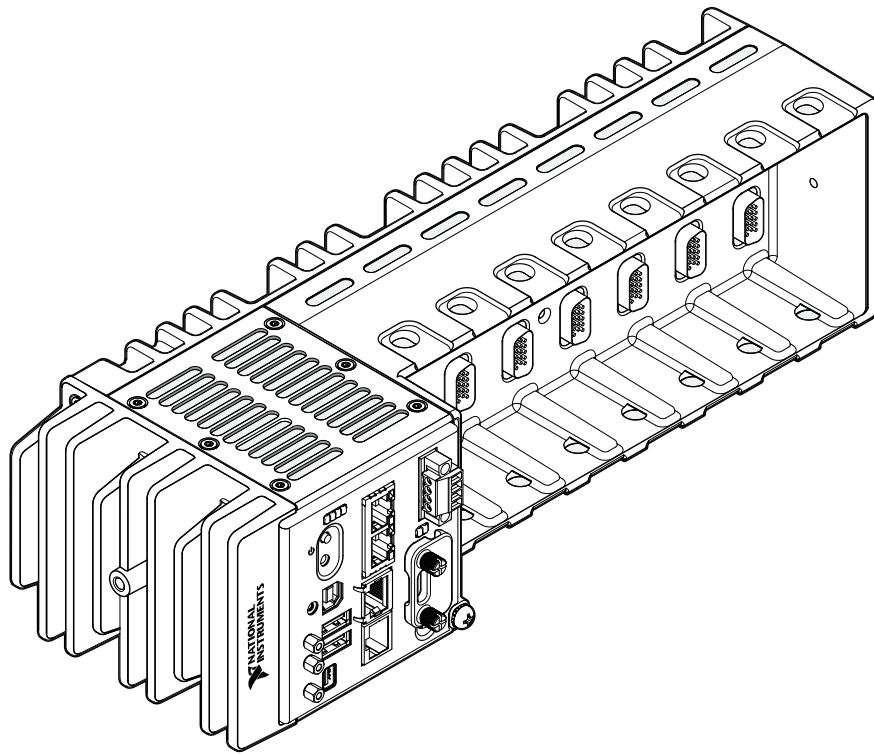
Overview.....	3
Safety Guidelines.....	3
Electromagnetic Compatibility Guidelines.....	5
Preparing the Environment.....	7
Unpacking the Kit.....	7
Verifying the Kit Contents.....	8
Installing Software on the Host Computer.....	8
Installing C Series Modules.....	8
Removing C Series Modules.....	9
Connecting the cRIO-9038.....	9
Connecting the cRIO-9038 to Ground.....	9
Connecting the cRIO-9038 to Power.....	10
Connecting the cRIO-9038 to the Host Computer.....	13
Configuring the System in Measurement & Automation Explorer (MAX).....	14
Setting a System Password.....	14
Installing Software on the cRIO-9038.....	15
Troubleshooting the cRIO-9038.....	16
The cRIO-9038 is Not Communicating with the Network.....	16
System Reset.....	18
STATUS LED Indicators.....	18
NI cRIO-9038 Sync Firmware Licensing.....	19

Overview

This document describes how to begin using the National Instruments cRIO-9038.

In this document, the NI cRIO-9038 and NI cRIO-9038 Sync are inclusively referred to as the cRIO-9038.

For more information about timing and synchronization capabilities of NI cRIO-9038 Sync, visit ni.com/info and enter the Info Code .



Safety Guidelines



Caution Observe all instructions and cautions in the user documentation. Using the model in a manner not specified can damage the model and

compromise the built-in safety protection. Return damaged models to NI for repair.



Attention Suivez toutes les instructions et respectez toutes les mises en garde de la documentation utilisateur. L'utilisation d'un modèle de toute autre façon que celle spécifiée risque de l'endommager et de compromettre la protection de sécurité intégrée. Renvoyez les modèles endommagés à NI pour réparation.

Safety Guidelines for Hazardous Locations

The cRIO-9038 is suitable for use in Class I, Division 2, Groups A, B, C, D, T4 hazardous locations; Class I, Zone 2, AEx nA IIC T4 Gc and Ex nA IIC T4 Gc hazardous locations; and nonhazardous locations only. Follow these guidelines if you are installing the cRIO-9038 in a potentially explosive environment. Not following these guidelines may result in serious injury or death.



Caution Do not disconnect the power supply wires and connectors from the controller unless power has been switched off.



Caution Do not disconnect I/O-side wires or connectors unless power has been switched off or the area is known to be nonhazardous.



Caution Do not remove modules unless power has been switched off or the area is known to be nonhazardous.



Caution Substitution of components may impair suitability for Class I, Division 2, or Zone 2.



Caution The system must be installed in an enclosure certified for the intended hazardous (classified) location, having a tool secured cover/door, where a minimum protection of at least IP54 is provided.

Special Conditions for Hazardous Locations Use in Europe and Internationally

The cRIO-9038 has been evaluated as Ex nA IIC T4 Gc equipment under DEMKO 12ATEX 1202658X and is IECEx UL 14.0089X certified. Each device is marked Ⓢ II 3G and is suitable for use in Zone 2 hazardous locations, in ambient temperatures of $-40\text{ °C} \leq T_a \leq 70\text{ °C}$.



Caution Transient protection shall be provided that is set at a level not exceeding 140% of the peak rated voltage value of 85 V at the supply terminals to the equipment.



Caution The system shall only be used in an area of not more than Pollution Degree 2, as defined in IEC/EN 60664-1.



Caution The system shall be mounted in an ATEX/IECEx-certified enclosure with a minimum ingress protection rating of at least IP54 as defined in IEC/EN 60079-15.



Caution The enclosure must have a door or cover accessible only by the use of a tool.

Electromagnetic Compatibility Guidelines

This product was tested and complies with the regulatory requirements and limits for electromagnetic compatibility (EMC) stated in the product specifications. These requirements and limits provide reasonable protection against harmful interference when the product is operated in the intended operational electromagnetic environment.

This product is intended for use in industrial locations. However, harmful interference may occur in some installations, when the product is connected to a peripheral device or test object, or if the product is used in residential or commercial areas. To minimize interference with radio and television reception and

prevent unacceptable performance degradation, install and use this product in strict accordance with the instructions in the product documentation.

Furthermore, any changes or modifications to the product not expressly approved by National Instruments could void your authority to operate it under your local regulatory rules.



Caution To ensure the specified EMC performance, operate this product only with shielded cables and accessories. The DC power input cables may be unshielded.



Caution To ensure the specified EMC performance, you must use an isolated cable with the RS-485 serial port, such as NI part number 184428-01.



Caution To ensure the specified EMC performance, the length of any cable connected to the video and V2 ports must be no longer than 3 m (10 ft). The length of any cable connected to the RS-232 and RS-485 ports must be no longer than 30 m (100 ft). The length of any cable connected to the USB host ports must be no longer than 5 m (16 ft).



Caution The USB device port is intended only for use in device configuration, application deployment, debug, and maintenance.



Caution To ensure the specified EMC performance, product installation requires either special considerations or user-installed, add-on devices. Refer to the following sections for more information.

Related tasks

- [Connecting the cRIO-9038 to Ground](#)
- [Connecting the cRIO-9038 to Power](#)
- [Connecting the to Ground](#)
- [Connecting the to Power](#)

Special Conditions for Marine Applications

Some products are approved for marine (shipboard) applications. To verify marine approval certification for a product, visit ni.com/product-certifications, search by model number, and click the appropriate link.



Notice In order to meet the EMC requirements for marine applications, install the product in a shielded enclosure with shielded and/or filtered power and input/output ports. In addition, take precautions when designing, selecting, and installing measurement probes and cables to ensure that the desired EMC performance is attained.

Preparing the Environment

Ensure that the environment in which you are using the cRIO-9038 meets the following specifications.

Operating temperature (IEC 60068-2-1, IEC 60068-2-2)	-40 °C to 70 °C
Operating humidity (IEC 60068-2-78)	10% RH to 90% RH, noncondensing
Pollution Degree	2
Maximum altitude	5,000 m

Indoor use only.



Note Refer to the device specifications on ni.com/manuals for complete specifications.

Unpacking the Kit



Notice To prevent electrostatic discharge (ESD) from damaging the device, ground yourself using a grounding strap or by holding a grounded object, such as your computer chassis.

1. Touch the antistatic package to a metal part of the computer chassis.
2. Remove the device from the package and inspect the device for loose components or any other sign of damage.



Notice Never touch the exposed pins of connectors.



Note Do not install a device if it appears damaged in any way.

3. Unpack any other items and documentation from the kit.

Store the device in the antistatic package when the device is not in use.

Verifying the Kit Contents

Verify that the following items are included in the cRIO-9038 kit.

Installing Software on the Host Computer

Before using the cRIO-9038, you must install the following application software and device drivers on the host computer in this order:

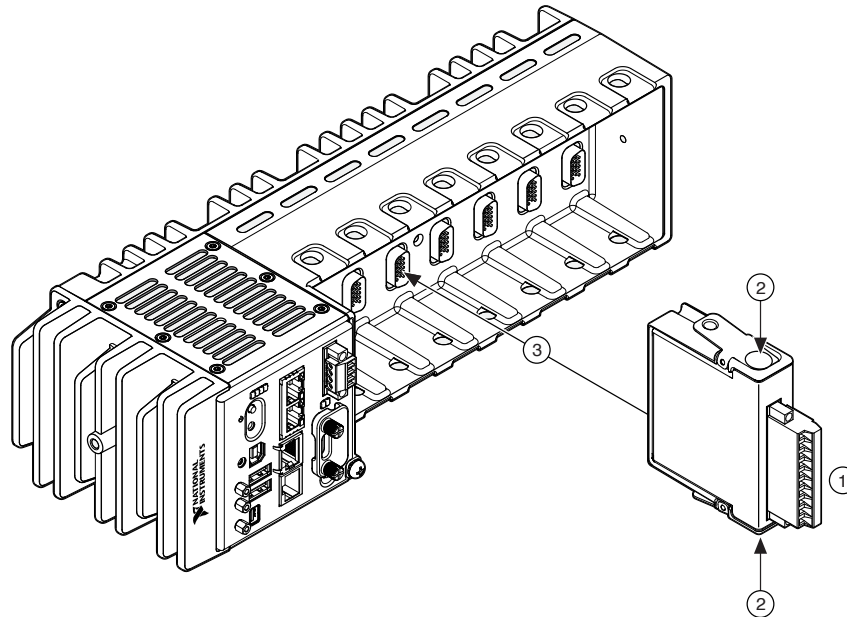
Sequence	cRIO-9038	cRIO-9038 Sync
1	LabVIEW 2014 or later	LabVIEW 2016 or later
2	LabVIEW Real-Time Module 2014	LabVIEW Real-Time Module 2016 or later
3	LabVIEW FPGA Module 2014 or later ^[1]	LabVIEW FPGA Module 2016 or later ^[1]
4	NI CompactRIO Device Drivers August 2014 or later	NI CompactRIO Device Drivers August 2016 or later

For minimum software support information, visit ni.com/info and enter the Info Code swsupport.

¹ LabVIEW FPGA Module is not required when using Scan Interface mode. To program the user-accessible FPGA on the cRIO-9038, LabVIEW FPGA Module is required.

Installing C Series Modules

Complete the following steps to install a C Series module.



1. Verify that power is not connected to the I/O connector(s) on the C Series module. If the system is in a nonhazardous location, the cRIO-9038 can be powered on when you install modules.
2. Press the latches on the C Series module.
3. Align the C Series module with a slot and seat it in the slot until the latches lock in place.

Removing C Series Modules

Verify that power is not connected to the I/O connector(s) on the C Series module before you remove a module from the cRIO-9038. If the system is in a nonhazardous location, the cRIO-9038 can be powered on when you remove modules.

Connecting the cRIO-9038

The cRIO-9038 has the following connectors, LEDs, and buttons.

Connecting the cRIO-9038 to Ground

You must connect the cRIO-9038 grounding terminal to the grounding electrode system of the facility.

What to Use

- Ring lug
- Wire, 1.3 mm² (16 AWG) or larger
- Screwdriver, Phillips #2

What to Do

Complete the following steps to ground the cRIO-9038.

1. Attach the ring lug to the wire.
2. Remove the grounding screw from the grounding terminal on the cRIO-9038.
3. Attach the ring lug to the grounding terminal.
4. Tighten the grounding screw to 0.5 N · m (4.4 lb · in.) of torque.
5. Attach the other end of the wire to the grounding electrode system of your facility using a method that is appropriate for your application.



Caution If you use shielded cabling to connect to a C Series module with a plastic connector, you must attach the cable shield to the chassis grounding terminal using 1.3 mm² (16 AWG) or larger wire. Attach a ring lug to the wire and attach the wire to the chassis grounding terminal. Solder the other end of the wire to the cable shield. Use shorter wire for better EMC performance.

For more information about ground connections, visit ni.com/info and enter the Info Code emcground.

Connecting the cRIO-9038 to Power

The cRIO-9038 requires a 9 V to 30 V external power supply. The cRIO-9038 filters and regulates the supplied power and provides power for the C Series modules. The cRIO-9038 has a primary power input, V1, and a secondary power input, V2.

The POWER LED on the cRIO-9038 indicates which power input is in use, as shown in the following table.

LED Color	LED Pattern	Indication
Green	Solid	The cRIO-9038 is powered from the V1 input.
Yellow	Solid	The cRIO-9038 is powered from the V2 input.
—	Off	The cRIO-9038 is powered off.

Table 1. POWER LED Indicators



Caution Do not connect V2 to a DC mains supply or to any supply that requires a connecting cable longer than 3 m(10 ft). A DC mains supply is a local DC electricity supply network in the infrastructure of a site or building.

What to Use

- Ferrite
- Screwdriver, 2.54 mm (0.10 in.) flathead
- Primary power supply, 9 V to 30 V, 46 W minimum
- (Optional) Secondary power supply, 9 V to 30 V, 46 W minimum

NI recommends the power supplies listed in the following table for the cRIO-9038.

Power Supply	Part Number
NI PS-15 Industrial Power Supply (24 V DC, 5 A, 100 V AC to 120 V AC/200 V AC to 240 V AC input)	781093-01
NI PS-10 Desktop Power Supply (24 V DC, 5 A, 100 V AC to 120 V AC/200 V AC to 240 V AC input)	782698-01

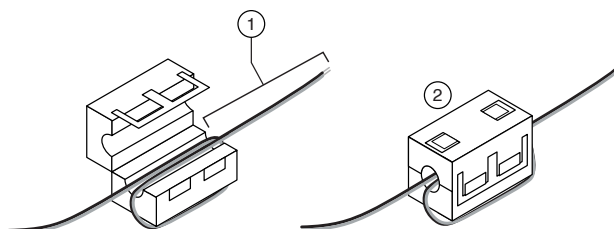
Table 2. NI Power Supplies

What to Do

Complete the following steps to connect a power supply to the cRIO-9038.

1. Ensure that your power supply is powered off.
2. Install the ferrite on the negative and positive leads of the power supply, as shown in the following figure.

Figure 1. Installing a Ferrite on the Power Leads



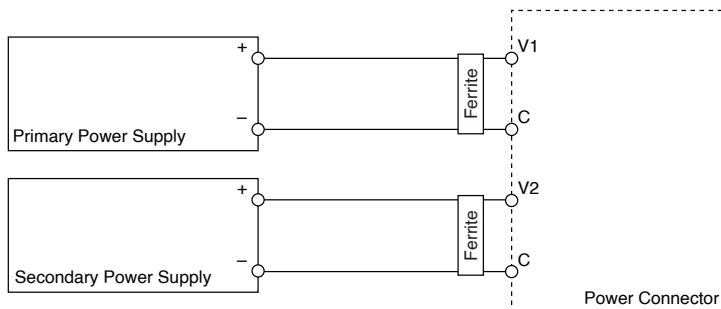
1. Pass the leads through the ferrite twice, leaving 50 mm to 75 mm (2 in. to 3 in.) between the ferrite and the end of the leads.
 2. Close the ferrite around the leads.
3. Remove the power connector from the cRIO-9038.



Caution Do not tighten or loosen the terminal screws on the power connector while the cRIO-9038 is powered on.

4. Connect the primary power supply and optional secondary power supply to the power connector, as shown in the following figure.

Figure 2. cRIO-9038 Power Connections





Note The C terminals are internally connected to each other.

5. Tighten the terminal screws on the power connector to 0.20 N · m to 0.25 N · m (1.8 lb · in. to 2.2 lb · in.) of torque.
6. Install the power connector on the front panel of the cRIO-9038.
7. Tighten the power connector screw flanges to 0.20 N · m to 0.25 N · m (1.8 lb · in. to 2.2 lb · in.) of torque.
8. Power on the primary power supply and optional secondary power supply.

Powering On the cRIO-9038

When you power on the cRIO-9038 for the first time, the device boots into safe mode. The POWER LED illuminates, the STATUS LED illuminates briefly, and then the STATUS LED blinks twice every few seconds.

Related reference

- [STATUS LED Indicators](#)

Connecting the cRIO-9038 to the Host Computer

Complete the following steps to connect the cRIO-9038 to the host computer using the USB device port.

1. Power on the host computer.
2. Connect the cRIO-9038 to the host computer using the USB A-to-B cable.



Caution NI requires the use of a locking USB cable (157788-01) to meet the shock and vibration specifications. Refer to the specifications on ni.com/manuals for shock and vibration specifications.

The device driver software automatically detects the cRIO-9038. If the device driver software does not detect the cRIO-9038, verify that you installed the appropriate NI software in the correct order on the host computer.



Tip You can also use the Ethernet port to connect directly to the host computer or network. Refer to the user manual on ni.com/manuals for more information about Ethernet connections.

Related information

- [Installing Software on the Host Computer](#)

Configuring the System in Measurement & Automation Explorer (MAX)

Complete the following steps to find the system in MAX.

1. Launch MAX on the host computer.
2. Expand Remote Systems in the configuration tree and locate your system.
3. Select your target.



Tip MAX lists the system under the model number followed by the serial number, such as NI-cRIO-9038-1856AAA.

Setting a System Password

Complete the following steps to set a system password.



Note The default username for the cRIO-9038 is admin. There is no default password for the cRIO-9038, so you must leave the password field blank when logging in until you set a system password.

1. Right-click your system and select **Web Configuration**.
The NI Web-Based Configuration and Monitoring utility opens in your default browser and is where you set the password. If you have not installed Microsoft Silverlight, NI Web-based Configuration & Monitoring prompts you to do so.
2. Enter a unique name for your system in the Hostname field.

3. Click the Security Configuration icon.
4. Click Login.
5. In the Login dialog box, enter the username admin and leave the password field blank.
6. Click OK.
7. Click Change Password.
8. Enter and re-enter a new password.
9. Click OK.
10. Click Save.
11. Click OK to confirm you are changing the password.



Caution NI cannot recover lost system passwords. If you forget the password, you must contact NI and reformat the controller.

Installing Software on the cRIO-9038

Complete the following steps to install software on the cRIO-9038.

1. In MAX, expand your system under Remote Systems.
2. Right-click Software.
3. Select Add/Remove Software to launch the LabVIEW Real-Time Software Wizard.



Tip You must log in if you set a system password.

4. Select the recommended software set for your LabVIEW and NI-RIO Device Drivers versions.
5. Click Next.
6. Select NI Scan Engine from the software add-ons.
Select any additional software to install. If you plan on using the cRIO-9038 with the LabVIEW FPGA Module, you can click Next. Click NI Scan Engine if you plan on using the cRIO-9038 without the LabVIEW FPGA Module.



Tip You can use this wizard at anytime to install additional software.

7. Click Next.
8. Verify that the summary of software to install is correct.
9. Click Next to start the installation.
10. Click Finish when the installation is complete.

Troubleshooting the cRIO-9038

The cRIO-9038 is Not Communicating with the Network

- Ensure that the USB connections between the cRIO-9038 and the host computer and the Ethernet connections between the host computer and the router are secure.
- Configure the IP and other network settings by completing the following steps.
 1. Use a USB A-to-B cable to connect the cRIO-9038 USB device port to a host computer. The USB driver creates a virtual network interface card and assigns an IP address to the cRIO-9038 in the format of 172.22.11.x.
 2. In MAX, expand your system under Remote Systems.
 3. Select the Network Settings tab to configure the IP and other network settings.
 4. (Optional) Use the RJ-45 Ethernet port 1 to reconnect the cRIO-9038 to the host computer. The cRIO-9038 attempts to initiate a DHCP network connection at powerup.



Note If the cRIO-9038 cannot obtain an IP address, it connects to the network with a link-local IP address with the form 169.254.x.x. The host computer communicates with the cRIO-9038 over a standard Ethernet connection.

- Ensure that you have the correct version of NI CompactRIO Device Drivers installed on the host computer. Visit ni.com/info and enter the Info Code

support for the minimum supported versions of LabVIEW and NI CompactRIO Device Drivers.



Tip If you have recently upgraded LabVIEW, you must reinstall NI CompactRIO Device Drivers.

- Ensure that the NI USBLAN adapter is recognized in the Device Manager. On Windows 7, select Start » Control Panel » Device Manager » Network adapters » National Instruments » USBLAN adapter. If the USBLAN adapter is not recognized, you must reinstall NI CompactRIO Device Drivers.
- Temporarily disable any network firewalls or other security software.

Verify the System IP Configuration

1. Put the cRIO-9038 in safe mode and enable the RS-232 serial port by holding the RESET button down for 5 seconds.
The STATUS LED starts blinking three times every few seconds.
2. Use the RS-232 serial port terminal to read the IP address, or connect a monitor to the mini DisplayPort to view the IP address.



Note Refer to the user manual on ni.com/manuals for more information about serial port configuration.

3. Set a new DHCP connection by holding the RESET button down for 5 seconds. The STATUS LED repeats the same behavior from [Step 1](#).
If the cRIO-9038 fails to set a new DHCP address, it assigns itself a link-local IP address. If the DHCP connection is successful and appropriate for your application, skip to [Step 6](#).
4. In MAX, expand your system under Remote Systems.
5. Select the Network Settings tab to configure the IP and other network settings.
6. Reboot the cRIO-9038 by pressing the RESET button.

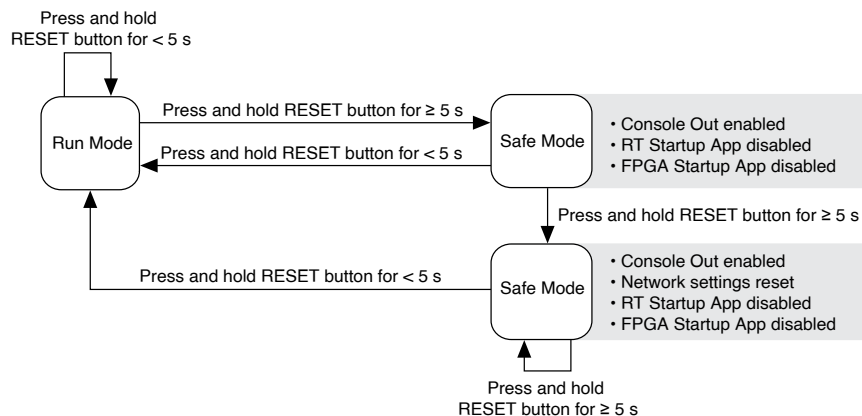
Configure the Windows Firewall

- Add an exception for MAX to your network firewall or other security software by completing the following steps:
 1. On Windows 7, select Start » Control Panel » System and Security » Windows Firewall » Allow a program through Windows Firewall.
 2. Click Allow another program.
 3. Select Measurement & Automation.
 4. Click Add.
 5. Click OK.
- Ensure that UDP port 44525 is open to communication on the host computer. If you are using an intelligent switch on the network, ensure that it is not disabling UDP port 44525.

System Reset

The following figure shows the reset behavior of the cRIO-9038.

Figure 3. Reset Button Behavior



STATUS LED Indicators

The following table describes the STATUS LED indicators.

LED Color	LED Pattern	Indication
Yellow	Blinks twice and pauses	The cRIO-9038 is in safe mode. Software is not installed, which is the factory default state, or software has been improperly installed on the cRIO-9038. An error can occur when an attempt to upgrade the software is interrupted. Reinstall software on the cRIO-9038. Refer to the Measurement & Automation Explorer (MAX) Help for information about installing software on the cRIO-9038.
	Blinks three times and pauses	The cRIO-9038 is in user-directed safe mode, or the cRIO-9038 is in install mode to indicate that software is currently being installed. This pattern may also indicate that the user has forced the cRIO-9038 to boot into safe mode by pressing the reset button for longer than five seconds or by enabling safe mode in MAX. Refer to the Measurement & Automation Explorer (MAX) Help for information about safe mode.
	Blinks four times and pauses	The cRIO-9038 is in safe mode. The software has crashed twice without rebooting or cycling power between crashes.
	Continuously blinks	The cRIO-9038 has not booted into NI Linux Real-Time. The cRIO-9038 either booted into an unsupported operating system, was interrupted during the boot process, or detected an unrecoverable software error.
	On momentarily	The cRIO-9038 is booting. No action required.
Red	Continuously blinks	This indicates a hardware error. An internal power supply has failed. Check front-panel I/O and C Series module connections for shorts. Remove any shorts and cycle power the cRIO-9038. If the problem persists, contact NI.
—	Off	The cRIO-9038 is in run mode. Software is installed and the operating system is running.

Table 3. STATUS LED Indicators

NI cRIO-9038 Sync Firmware Licensing

Software is licensed pursuant to the software license agreements provided with the software or, in the absence of such license agreements, the National Instruments Software License Agreement available at ni.com/legal at the time of purchase.

For a copy of the software licenses applicable to the firmware for this hardware product, as well as copies of third party licenses and any required notices shipped with the firmware, visit ni.com/info and enter the Info Code .