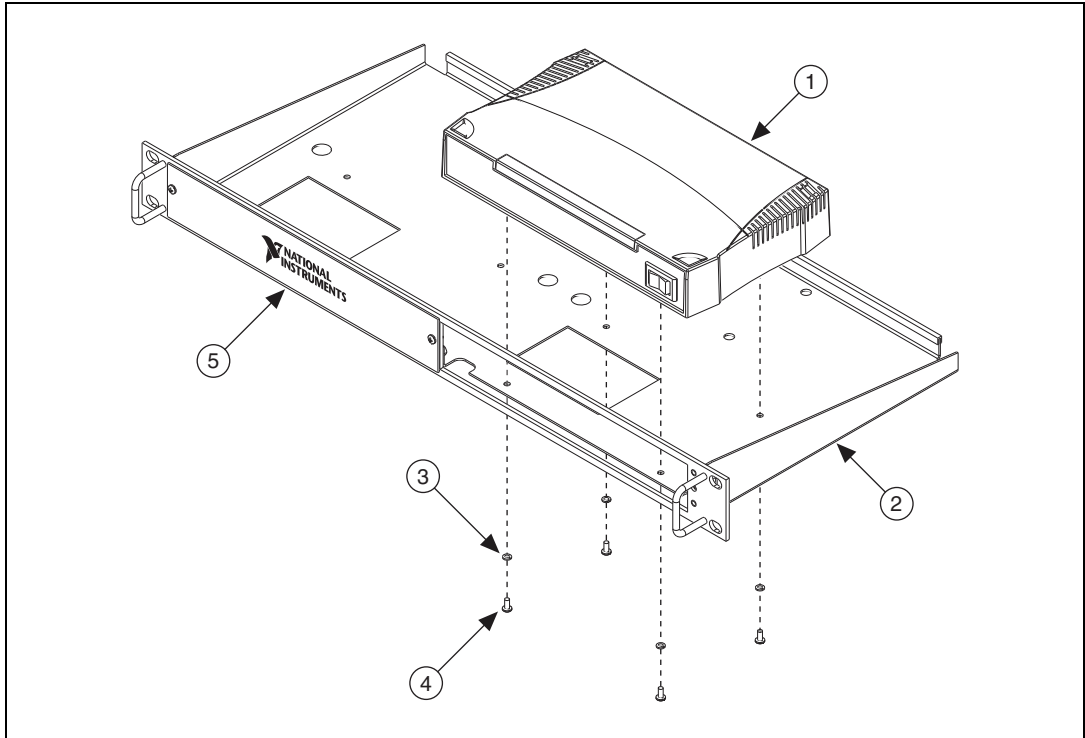


INSTALLATION GUIDE

Dual Rack-Mount Kit

To install the rack-mount, follow the steps below.



- 1 Type CS4 Enclosure
- 2 Rack-Mount Tray
- 3 8x #4 Split Washer

- 4 8x #4-40 \times 0.25 in. Panhead Screw
- 5 Filler Panel

1. Place the enclosure on the rack-mount tray. Align the rubber feet to the large holes.
2. Attach the enclosure to the rack-mount tray using the four split-lock washers and #4-40 \times 0.25 in. panhead screws as shown.



Note To add a second enclosure, remove the filler panel and follow the preceding steps.