

INSTALLATION GUIDE

NI PXI Slot Blocker

The NI PXI Slot Blocker improves system cooling in PXI chassis by rerouting airflow from empty slots to slots containing PXI modules. This guide describes how to use the NI PXI Slot Blocker most effectively.

What You Need to Get Started

- A PXI or PXI Express chassis recommended for use with the NI PXI Slot Blocker
- A PXI or PXI Express system controller
- PXI or PXI Express peripheral modules
- NI PXI Slot Blockers
- PXI filler panels

PXI Chassis Recommendations

Table 1 lists NI PXI chassis recommended for use with the NI PXI Slot Blocker.

Table 1. NI PXI Chassis Recommended for Use with the NI PXI Slot Blocker

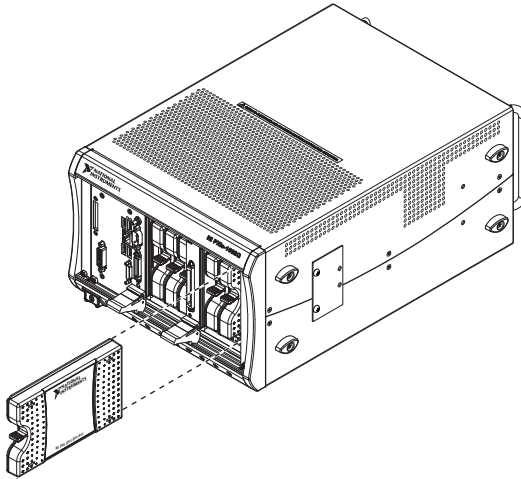
Chassis Configuration	NI PXI/PXI Express Chassis	Recommendation
Chassis with fans in rear	PXI-104x Series PXIe-106x Series PXIe-108x Series (excluding 1088) PXIe-109x Series	Highly recommended
Chassis with fans below card cage	PXI-103x Series PXIe-107x Series PXIe-1088	Recommended

Installation

Complete the following steps to install the NI PXI Slot Blocker.

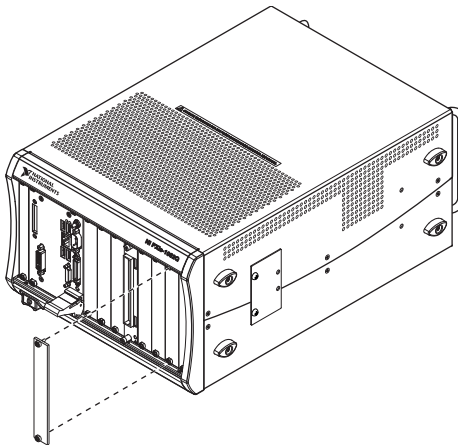
1. Install an NI PXI Slot Blocker in each empty slot of an NI PXI chassis, as shown in Figure 1.

Figure 1. Installing the NI PXI Slot Blocker



2. Install filler panels over each slot containing an NI PXI Slot Blocker, as shown in Figure 2.

Figure 2. Installing a PXI Filler Panel



Ordering Information

You can order the NI PXI Slot Blocker at ni.com using part number 199198-01.

Worldwide Support and Services

The NI website is your complete resource for technical support. At ni.com/support you have access to everything from troubleshooting and application development self-help resources to email and phone assistance from NI Application Engineers.

Visit ni.com/services for NI Factory Installation Services, repairs, extended warranty, and other services.

Visit ni.com/register to register your NI product. Product registration facilitates technical support and ensures that you receive important information updates from NI.

A Declaration of Conformity (DoC) is our claim of compliance with the Council of the European Communities using the manufacturer's declaration of conformity. This system affords the user protection for electromagnetic compatibility (EMC) and product safety. You can obtain the DoC for your product by visiting ni.com/certification. If your product supports calibration, you can obtain the calibration certificate for your product at ni.com/calibration.

NI corporate headquarters is located at 11500 North Mopac Expressway, Austin, Texas, 78759-3504. NI also has offices located around the world. For telephone support in the United States, create your service request at ni.com/support or dial 1 866 ASK MYNI (275 6964). For telephone support outside the United States, visit the Worldwide Offices section of ni.com/niglobal to access the branch office websites, which provide up-to-date contact information, support phone numbers, email addresses, and current events.

Information is subject to change without notice. Refer to the *NI Trademarks and Logo Guidelines* at ni.com/trademarks for more information on NI trademarks. Other product and company names mentioned herein are trademarks or trade names of their respective companies. For patents covering NI products/technology, refer to the appropriate location: **Help»Patents** in your software, the `patents.txt` file on your media, or the *National Instruments Patents Notice* at ni.com/patents. You can find information about end-user license agreements (EULAs) and third-party legal notices in the `readme` file for your NI product. Refer to the *Export Compliance Information* at ni.com/legal/export-compliance for the NI global trade compliance policy and how to obtain relevant HTS codes, ECCNs, and other import/export data. NI MAKES NO EXPRESS OR IMPLIED WARRANTIES AS TO THE ACCURACY OF THE INFORMATION CONTAINED HEREIN AND SHALL NOT BE LIABLE FOR ANY ERRORS. U.S. Government Customers: The data contained in this manual was developed at private expense and is subject to the applicable limited rights and restricted data rights as set forth in FAR 52.227-14, DFAR 252.227-7014, and DFAR 252.227-7015.

© 2008–2019 National Instruments. All rights reserved.