
NI-9147 Getting Started

2022-07-06

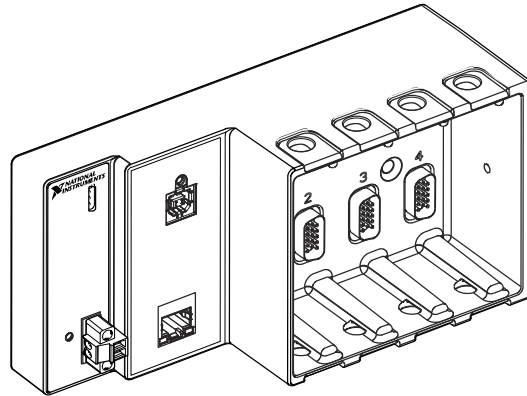


Contents

Overview.....	3
Safety Guidelines.....	3
Safety Guidelines for Hazardous Locations.....	3
Electromagnetic Compatibility Guidelines.....	5
Special Conditions for Marine Applications.....	5
Preparing the Environment.....	6
Unpacking the Kit.....	6
Verifying the Kit Contents.....	7
Installing Software on the Host Computer.....	7
Installing C Series Modules.....	7
Removing C Series Modules.....	8
Connecting the NI-9147.....	8
Connecting the NI-9147 to Ground.....	8
Connecting the NI-9147 to Power.....	9
Connecting the NI-9147 to the Host Computer.....	11
Configuring the System in Measurement & Automation Explorer (MAX).....	12
Setting a System Password.....	12
Installing Software on the NI-9147.....	13
Troubleshooting the NI-9147.....	14
The NI-9147 is Not Communicating with the Network.....	14
System Reset.....	16
STATUS LED Indicators.....	16
Where to Go Next.....	17
NI Services.....	17

Overview

This document describes how to begin using the NI-9147.



Safety Guidelines



Caution Observe all instructions and cautions in the user documentation. Using the model in a manner not specified can damage the model and compromise the built-in safety protection. Return damaged models to NI for repair.



Attention Suivez toutes les instructions et respectez toutes les mises en garde de la documentation utilisateur. L'utilisation d'un modèle de toute autre façon que celle spécifiée risque de l'endommager et de compromettre la protection de sécurité intégrée. Renvoyez les modèles endommagés à NI pour réparation.

Safety Guidelines for Hazardous Locations

The NI-9147 is suitable for use in Class I, Division 2, Groups A, B, C, D, T4 hazardous locations; Class I, Zone 2, AEx nA IIC T4 Gc and Ex nA IIC T4 Gc hazardous locations; and nonhazardous locations only. Follow these guidelines if you are installing the

NI-9147 in a potentially explosive environment. Not following these guidelines may result in serious injury or death.



Caution Do not disconnect the power supply wires and connectors from the controller unless power has been switched off.



Caution Do not disconnect I/O-side wires or connectors unless power has been switched off or the area is known to be nonhazardous.



Caution Do not remove modules unless power has been switched off or the area is known to be nonhazardous.



Caution Substitution of components may impair suitability for Class I, Division 2, or Zone 2.



Caution The system must be installed in an enclosure certified for the intended hazardous (classified) location, having a tool secured cover/door, where a minimum protection of at least IP54 is provided.

Special Conditions for Hazardous Locations Use in Europe and Internationally

The NI-9147 has been evaluated as Ex nA IIC T4 Gc equipment under DEMKO 07ATEX 0626664X and is IECEx UL 14.0089X certified. Each device is marked Ⓢ II 3G and is suitable for use in Zone 2 hazardous locations, in ambient temperatures of $-40\text{ °C} \leq T_a \leq 70\text{ °C}$.



Caution Transient protection shall be provided that is set at a level not exceeding 140% of the peak rated voltage value of 85 V at the supply terminals to the equipment.



Caution The system shall only be used in an area of not more than Pollution Degree 2, as defined in IEC/EN 60664-1.



Caution The system shall be mounted in an ATEX/IECEx-certified enclosure with a minimum ingress protection rating of at least IP54 as defined in IEC/EN 60079-15.



Caution The enclosure must have a door or cover accessible only by the use of a tool.

Electromagnetic Compatibility Guidelines

This product was tested and complies with the regulatory requirements and limits for electromagnetic compatibility (EMC) stated in the product specifications. These requirements and limits provide reasonable protection against harmful interference when the product is operated in the intended operational electromagnetic environment.

This product is intended for use in industrial locations. However, harmful interference may occur in some installations, when the product is connected to a peripheral device or test object, or if the product is used in residential or commercial areas. To minimize interference with radio and television reception and prevent unacceptable performance degradation, install and use this product in strict accordance with the instructions in the product documentation.

Furthermore, any changes or modifications to the product not expressly approved by National Instruments could void your authority to operate it under your local regulatory rules.

Special Conditions for Marine Applications

Some products are approved for marine (shipboard) applications. To verify marine approval certification for a product, visit ni.com/product-certifications, search by model number, and click the appropriate link.



Notice In order to meet the EMC requirements for marine applications, install the product in a shielded enclosure with shielded and/or filtered power and input/output ports. In addition, take precautions when designing, selecting, and installing measurement probes and cables to ensure that the desired EMC performance is attained.

Preparing the Environment

Ensure that the environment in which you are using the NI-9147 meets the following specifications.

Operating temperature (IEC 60068-2-1, IEC 60068-2-2)	-40 °C to 70 °C
Operating humidity (IEC 60068-2-78)	10% RH to 90% RH, noncondensing
Pollution Degree	2
Maximum altitude	5,000 m

Indoor use only.



Note Refer to the device specifications on ni.com/manuals for complete specifications.

Unpacking the Kit



Notice To prevent electrostatic discharge (ESD) from damaging the device, ground yourself using a grounding strap or by holding a grounded object, such as your computer chassis.

1. Touch the antistatic package to a metal part of the computer chassis.
2. Remove the device from the package and inspect the device for loose components or any other sign of damage.



Notice Never touch the exposed pins of connectors.



Note Do not install a device if it appears damaged in any way.

3. Unpack any other items and documentation from the kit.

Store the device in the antistatic package when the device is not in use.

Verifying the Kit Contents

Verify that the following items are included in the NI-9147 kit.

Installing Software on the Host Computer

Before using the NI-9147, you must install the following application software and device drivers on the host computer in this order:

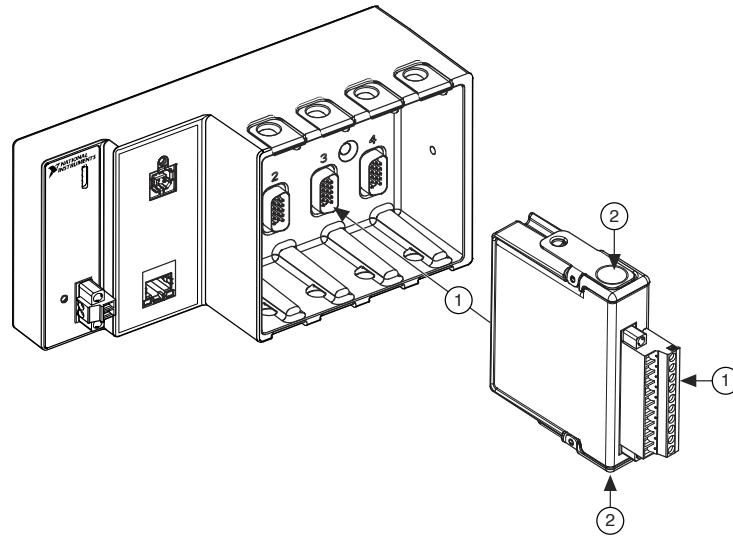
1. LabVIEW 2014 SP1 or later
2. LabVIEW FPGA Module 2014 SP1 or later
3. NI-RIO Device Drivers 14.5 or later

For minimum software support information, visit ni.com/info and enter the Info Code swsupport.

¹ LabVIEW FPGA Module is not required when using Scan Interface mode. To program the user-accessible FPGA on the NI-9147, LabVIEW FPGA Module is required.

Installing C Series Modules

Complete the following steps to install a C Series module.



1. Verify that power is not connected to the I/O connector(s) on the C Series module. If the system is in a nonhazardous location, the NI-9147 can be powered on when you install modules.
2. Press the latches on the C Series module.
3. Align the C Series module with a slot and seat it in the slot until the latches lock in place.

Removing C Series Modules

Verify that power is not connected to the I/O connector(s) on the C Series module before you remove a module from the NI-9147. If the system is in a nonhazardous location, the NI-9147 can be powered on when you remove modules.

Connecting the NI-9147

The NI-9147 has the following connectors, LEDs, and buttons.

Connecting the NI-9147 to Ground

You must connect the NI-9147 grounding terminal to the grounding electrode system of the facility.

What to Use

- Ring lug
- Wire, 2.1 mm² (14 AWG) or larger
- Screwdriver, Phillips #2

What to Do

Complete the following steps to ground the NI-9147.

1. Attach the ring lug to the wire.
2. Remove the grounding screw from the grounding terminal on the NI-9147.
3. Attach the ring lug to the grounding terminal.
4. Tighten the grounding screw to 0.5 N · m (4.4 lb · in.) of torque.
5. Attach the other end of the wire to the grounding electrode system of your facility using a method that is appropriate for your application.



Caution If you use shielded cabling to connect to a C Series module with a plastic connector, you must attach the cable shield to the chassis grounding terminal using 2.1 mm² (14 AWG) or larger wire. Attach a ring lug to the wire and attach the wire to the chassis grounding terminal. Solder the other end of the wire to the cable shield. Use shorter wire for better EMC performance.

For more information about ground connections, visit ni.com/info and enter the Info Code emcground.

Connecting the NI-9147 to Power

The NI-9147 requires a 9 V to 30 V external power supply. The NI-9147 filters and regulates the supplied power and provides power for the C Series modules. The NI-9147 has one layer of reverse-voltage protection.

The following table lists the POWER LED indicators.

LED Color	LED Pattern	Indication
Green	Solid	The NI-9147 is powered on and the connected power supply is adequate.
—	Off	The NI-9147 is powered off.

Table 3. POWER LED Indicators

What to Use

- Screwdriver, 2.54 mm (0.10 in.) flathead
- Power supply, 9 V to 30 V, 11 W minimum
- Wire, 2.1 mm² (14 AWG) or larger

NI recommends the power supply listed in the following table for the NI-9147.

Power Supply	Part Number
NI PS-15 Industrial Power Supply (24 V DC, 5 A, 100 V AC to 120 V AC/200 V AC to 240 V AC input)	781093-01

Table 2. NI Power Supplies

What to Do

Complete the following steps to connect a power supply to the NI-9147.

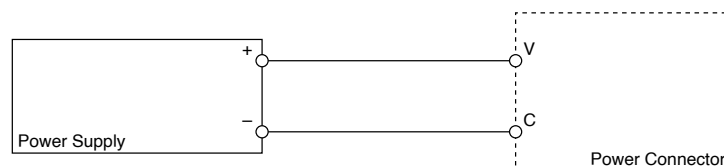
1. Ensure that your power supply is powered off.
2. Remove the power connector from the NI-9147.



Caution Do not tighten or loosen the terminal screws on the power connector while the NI-9147 is powered on.

3. Connect the power supply to the power connector, as shown in the following figure.

Figure 1. NI-9147 Power Connections





Note The C terminals are internally connected to each other.

4. Tighten the terminal screws on the power connector to 0.20 N · m to 0.25 N · m (1.8 lb · in. to 2.2 lb · in.) of torque.
5. Install the power connector on the front panel of the NI-9147.
6. Tighten the power connector screw flanges to 0.20 N · m to 0.25 N · m (1.8 lb · in. to 2.2 lb · in.) of torque.
7. Power on the power supply.

Powering On the NI-9147

When you power on the NI-9147 for the first time, the device boots into safe mode. The POWER LED illuminates, the STATUS LED illuminates briefly, and then the STATUS LED blinks twice every few seconds.

Related reference

- [STATUS LED Indicators](#)

Connecting the NI-9147 to the Host Computer

Complete the following steps to connect the NI-9147 to the host computer using the USB device port.

1. Power on the host computer.
2. Connect the NI-9147 to the host computer using the USB A-to-B cable.



Caution NI requires the use of a locking USB cable (157788-01) to meet the shock and vibration specifications. Refer to the specifications on ni.com/manuals for shock and vibration specifications.

The device driver software automatically detects the NI-9147. If the device driver software does not detect the NI-9147, verify that you installed the appropriate NI software in the correct order on the host computer.



Tip You can also use the Ethernet port to connect directly to the host computer or network. Refer to the user manual on ni.com/manuals for more information about Ethernet connections.

Related information

- [Installing Software on the Host Computer](#)

Configuring the System in Measurement & Automation Explorer (MAX)

Complete the following steps to find the system in MAX.

1. Launch MAX on the host computer.
2. Expand Remote Systems in the configuration tree and locate your system.
3. Select your target.



Tip MAX lists the system under the model number followed by the serial number, such as NI-cRIO-9147-1856AAA.

Setting a System Password

Complete the following steps to set a system password.



Note The default username for the NI-9147 is admin. There is no default password for the NI-9147, so you must leave the password field blank when logging in until you set a system password.

1. Right-click your system and select Web Configuration.
The NI Web-Based Configuration and Monitoring utility opens in your default browser and is where you set the password. If you have not installed Microsoft Silverlight, NI Web-based Configuration & Monitoring prompts you to do so.
2. Enter a unique name for your system in the Hostname field.

3. Click the Security Configuration icon.
4. Click Login.
5. In the Login dialog box, enter the username admin and leave the password field blank.
6. Click OK.
7. Click Change Password.
8. Enter and re-enter a new password.
9. Click OK.
10. Click Save.
11. Click OK to confirm you are changing the password.



Caution NI cannot recover lost system passwords. If you forget the password, you must contact NI and reformat the controller.

Installing Software on the NI-9147

Complete the following steps to install software on the NI-9147.

1. In MAX, expand your system under Remote Systems.
2. Right-click Software.
3. Select Add/Remove Software to launch the LabVIEW Real-Time Software Wizard.



Tip You must log in if you set a system password.

4. Select the recommended software set for your LabVIEW and NI-RIO Device Drivers versions.
5. Click Next.
6. Select NI Scan Engine from the software add-ons.
Select any additional software to install. If you plan on using the NI-9147 with the LabVIEW FPGA Module, you can click Next. Click NI Scan Engine if you plan on using the NI-9147 without the LabVIEW FPGA Module.



Tip You can use this wizard at anytime to install additional software.

7. Click Next.
8. Verify that the summary of software to install is correct.
9. Click Next to start the installation.
10. Click Finish when the installation is complete.

Troubleshooting the NI-9147

The NI-9147 is Not Communicating with the Network

- Ensure that the USB connections between the NI-9147 and the host computer and the Ethernet connections between the host computer and the router are secure.
- Configure the IP and other network settings by completing the following steps.
 1. Use a USB A-to-B cable to connect the NI-9147 USB device port to a host computer. The USB driver creates a virtual network interface card and assigns an IP address to the NI-9147 in the format of 172.22.11.x.
 2. In MAX, expand your system under Remote Systems.
 3. Select the Network Settings tab to configure the IP and other network settings.
 4. (Optional) Use the RJ-45 Ethernet port 1 to reconnect the NI-9147 to the host computer. The NI-9147 attempts to initiate a DHCP network connection at powerup.



Note If the NI-9147 cannot obtain an IP address, it connects to the network with a link-local IP address with the form 169.254.x.x. The host computer communicates with the NI-9147 over a standard Ethernet connection.

- Ensure that you have the correct version of NI CompactRIO Device Drivers installed on the host computer. Visit ni.com/info and enter the Info Code

support for the minimum supported versions of LabVIEW and NI CompactRIO Device Drivers.



Tip If you have recently upgraded LabVIEW, you must reinstall NI CompactRIO Device Drivers.

- Ensure that the NI USBLAN adapter is recognized in the Device Manager. On Windows 7, select Start » Control Panel » Device Manager » Network adapters » National Instruments » USBLAN adapter. If the USBLAN adapter is not recognized, you must reinstall NI CompactRIO Device Drivers.
- Temporarily disable any network firewalls or other security software.

Verify the System IP Configuration

1. Put the NI-9147 in safe mode by holding the RESET button down for 5 seconds.
The STATUS LED starts blinking three times every few seconds.
2. Set a new DHCP connection by holding the RESET button down for 5 seconds.
The STATUS LED repeats the same behavior from [Step 1](#).
If the NI-9147 fails to set a new DHCP address, it assigns itself a link-local IP address. If the DHCP connection is successful and appropriate for your application, skip to [Step 5](#).
3. In MAX, expand your system under Remote Systems.
4. Select the Network Settings tab to configure the IP and other network settings.
5. Reboot the NI-9147 by pressing the RESET button.

Configure the Windows Firewall

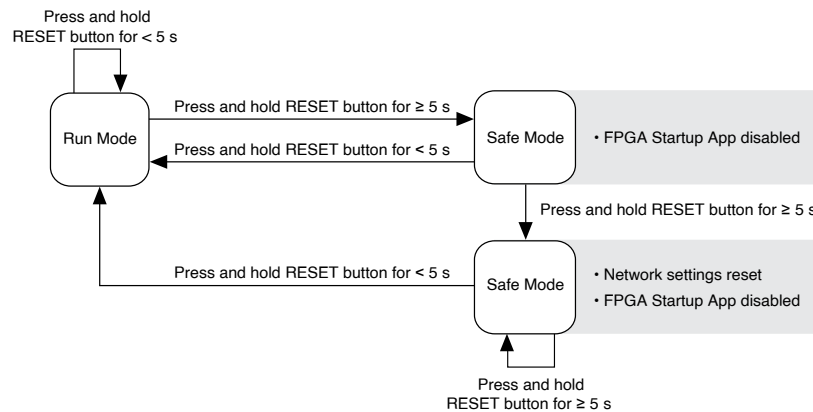
- Add an exception for MAX to your network firewall or other security software by completing the following steps:
 1. On Windows 7, select Start » Control Panel » System and Security » Windows Firewall » Allow a program through Windows Firewall.
 2. Click Allow another program.

3. Select Measurement & Automation.
 4. Click Add.
 5. Click OK.
- Ensure that UDP port 44525 is open to communication on the host computer. If you are using an intelligent switch on the network, ensure that it is not disabling UDP port 44525.

System Reset

The following figure shows the reset behavior of the NI-9147.

Figure 2. Reset Button Behavior



STATUS LED Indicators

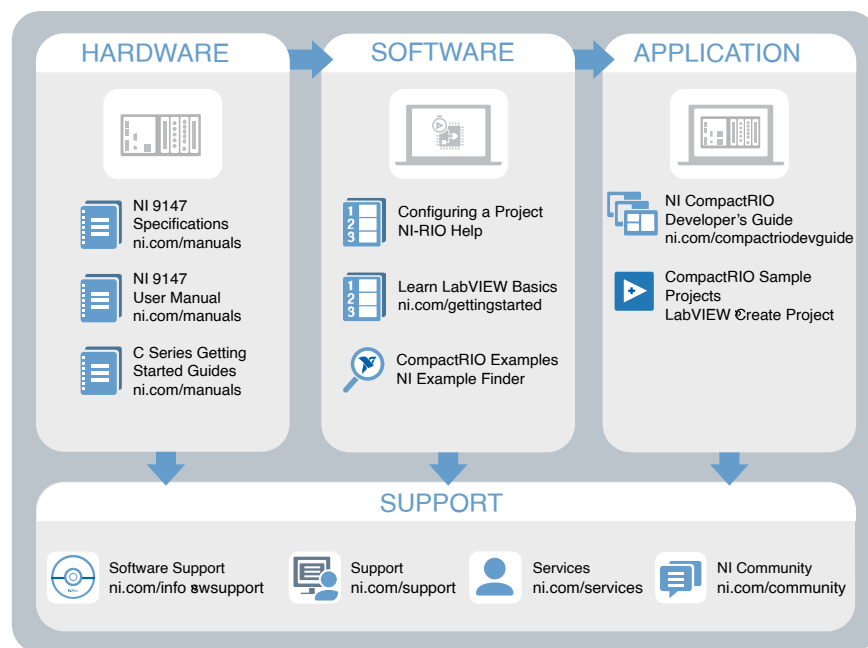
The following table describes the STATUS LED indicators.

LED Pattern	Indication
Blinks twice and pauses	<p>The NI-9147 is in safe mode. Software is not installed, which is the factory default state, or software has been improperly installed on the NI-9147.</p> <p>An error can occur when an attempt to upgrade the software is interrupted. Reinstall software on the NI-9147. Refer to the Measurement & Automation Explorer (MAX) Help for information about installing software on the NI-9147.</p>
Blinks three times and pauses	<p>The NI-9147 is in user-directed safe mode, or the NI-9147 is in install mode to indicate that software is currently being installed.</p> <p>This pattern may also indicate that the user has forced the NI-9147 to boot into safe mode by pressing the reset button for longer than five seconds or</p>

LED Pattern	Indication
	by enabling safe mode in MAX. Refer to the Measurement & Automation Explorer (MAX) Help for information about safe mode.
Blinks four times and pauses	The NI-9147 is in safe mode. The software has crashed twice without rebooting or cycling power between crashes.
Continuously blinks	The NI-9147 has detected an unrecoverable error. Contact NI for support.
On momentarily	The NI-9147 is booting. No action required.
Off	The NI-9147 is in run mode. Software is installed and the operating system is running.

Table 3. STATUS LED Indicators

Where to Go Next



NI Services

Visit ni.com/support to find support resources including documentation, downloads, and troubleshooting and application development self-help such as tutorials and examples.

Visit ni.com/services to learn about NI service offerings such as calibration options, repair, and replacement.

Visit ni.com/register to register your NI product. Product registration facilitates technical support and ensures that you receive important information updates from NI.

NI corporate headquarters is located at 11500 N Mopac Expwy, Austin, TX, 78759-3504, USA.