

INSTALLATION GUIDE

Panel Mount Kit for 14-Slot CompactDAQ

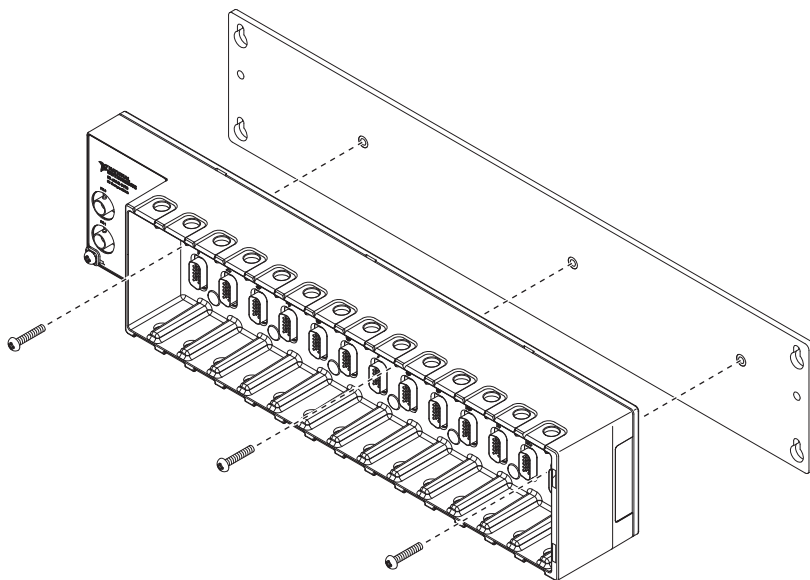
The National Instruments panel mount kit is an accessory you can use to mount the 14-slot CompactDAQ chassis onto flat surfaces. The hardware in the kit consists of the panel mounting plate and three M4×21 screws.

Installing the 14-Slot CompactDAQ

Complete the following steps to install the chassis onto a panel or wall. You need a #2 Philips screwdriver to complete the installation.

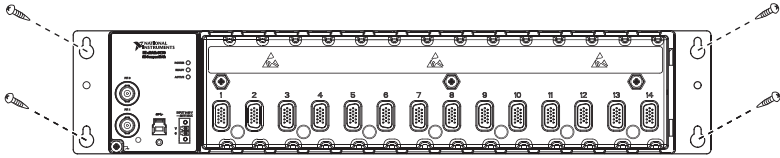
1. Attach the chassis to the panel mounting plate using three M4×21 screws included in the kit, as shown in Figure 1. You must use the screws included in the kit and indicated in the documentation because they are the correct depth and thread for the chassis and panel mounting plate. Tighten the screws to a maximum torque of 1.3 N · m (11.5 lb · in.).

Figure 1. Attaching the Chassis to the 14-Slot CompactDAQ Panel Mounting Plate



2. Attach the panel mounting plate to a panel or wall using screws that are appropriate for the surface, as shown in Figure 2. Screws for mounting to a panel or wall are not included in the kit.

Figure 2. Attaching the Panel Mounting Plate to a Panel or Wall



Optionally, you can use two additional screws to attach the panel mounting plate to a panel or wall permanently, as shown in Figure 3, preventing the chassis from being removed.

Figure 3. Permanently Attaching the Panel Mounting Plate to a Panel or Wall

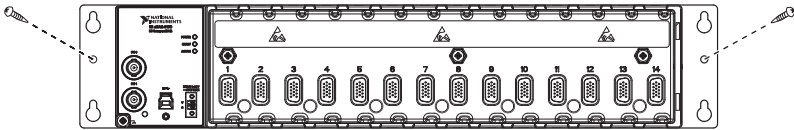
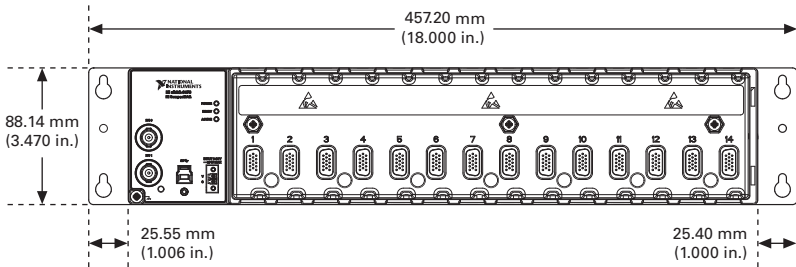


Figure 4 shows the dimensions of the panel mounting plate.

Figure 4. 14-Slot CompactDAQ Panel Mounting Plate Dimensions



Worldwide Support and Services

The National Instruments website is your complete resource for technical support. At ni.com/support you have access to everything from troubleshooting and application development self-help resources to email and phone assistance from NI Application Engineers.

Visit ni.com/services for NI Factory Installation Services, repairs, extended warranty, and other services.

Visit ni.com/register to register your National Instruments product. Product registration facilitates technical support and ensures that you receive important information updates from NI.

National Instruments corporate headquarters is located at 11500 North Mopac Expressway, Austin, Texas, 78759-3504. National Instruments also has offices located around the world. For telephone support in the United States, create your service request at ni.com/support or dial 1 866 ASK MYNI (275 6964). For telephone support outside the United States, visit the Worldwide Offices section of ni.com/niglobal to access the branch office websites, which provide up-to-date contact information, support phone numbers, email addresses, and current events.

Refer to the *NI Trademarks and Logo Guidelines* at ni.com/trademarks for more information on National Instruments trademarks. Other product and company names mentioned herein are trademarks or trade names of their respective companies. For patents covering National Instruments products/technology, refer to the appropriate location: **Help»Patents** in your software, the `patents.txt` file on your media, or the *National Instruments Patents Notice* at ni.com/patents. You can find information about end-user license agreements (EULAs) and third-party legal notices in the readme file for your NI product. Refer to the *Export Compliance Information* at ni.com/legal/export-compliance for the National Instruments global trade compliance policy and how to obtain relevant HTS codes, ECCNs, and other import/export data. NI MAKES NO EXPRESS OR IMPLIED WARRANTIES AS TO THE ACCURACY OF THE INFORMATION CONTAINED HEREIN AND SHALL NOT BE LIABLE FOR ANY ERRORS. U.S. Government Customers: The data contained in this manual was developed at private expense and is subject to the applicable limited rights and restricted data rights as set forth in FAR 52.227-14, DFAR 252.227-7014, and DFAR 252.227-7015.

© 2015 National Instruments. All rights reserved.