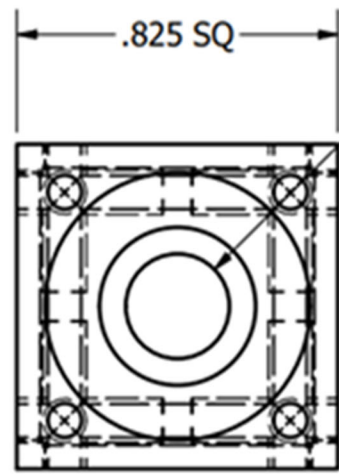


2

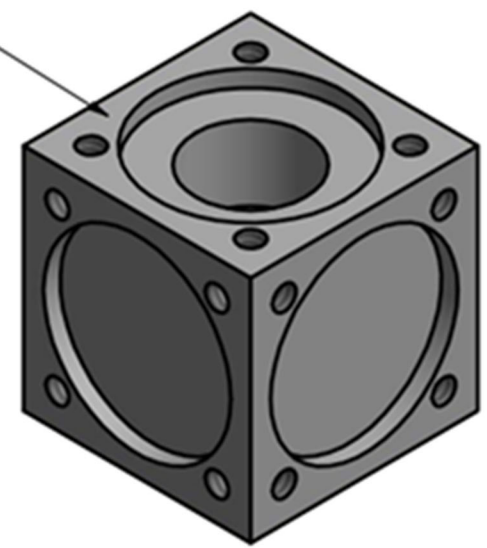


1

Top



Ø.27 THRU
 □ Ø.40 ▽ .27



B

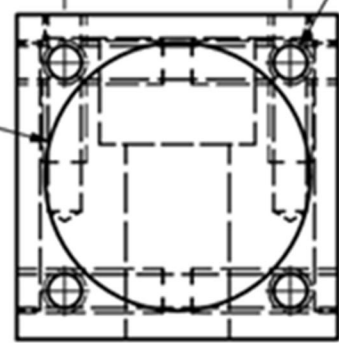


A

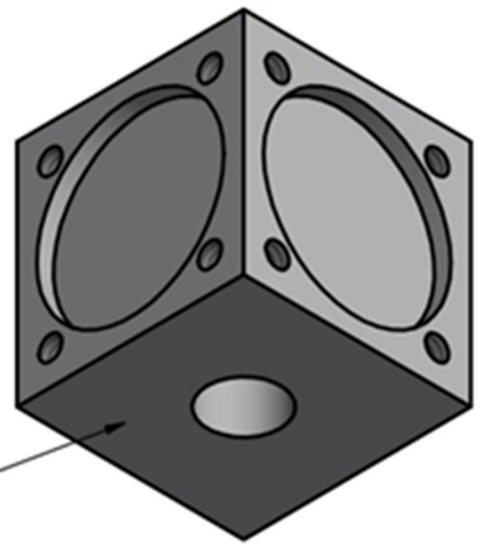
.580 SQ 5 Faces

4-40 UNC - 2B ▽ .38 20X
 All 5 Faces

Ø.68 .06 Deep
 5 Faces



Bottom



Include 4X 4-40 3/8 Screws
 Recommended PN: 91251A108

DRAWN htang	4//13/2020	ADI
Material	Al	
Quantity:		TITLE
Finish:	Hard Anodized Black	EVAL-XLMOUNT1 (5 face cubes)
DWG NO		REV

2



1

REV