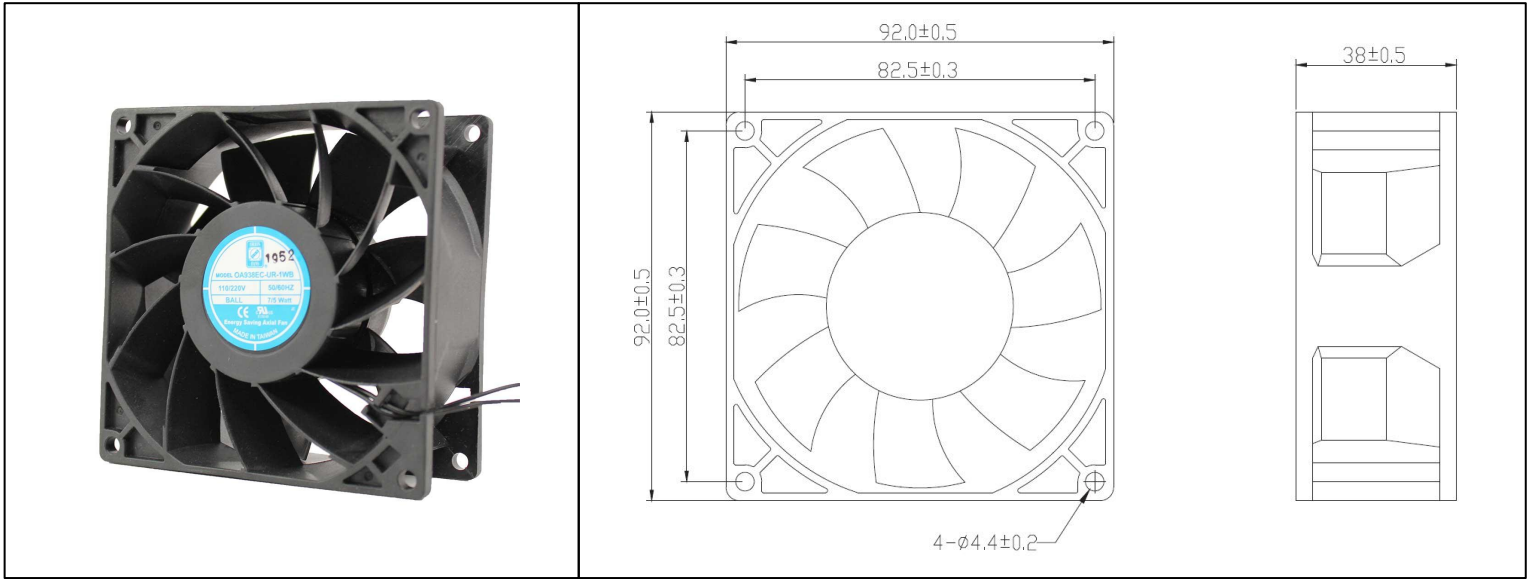


OA938EC Series



EC Fan - Universal Voltage
92mm x 38mm (3.62" x 1.50")



Frame	PBT, UL 94 V-0 Plastic	<u>Operating Temperature</u> -20°C ~ +65°C <u>Storage Temperature</u> -20°C ~ +75°C <u>Life Expectancy</u> 70,000 Hours (L10 at 40°C) Weight: 0.42 lbs	
Impeller	PBT, UL 94 V-0 Plastic		
Connection	2x Wire Leads, 22 AWG		
Motor	AC-DC Energy Saving, Electronically Protected		
Bearing System	Ball Bearings		
Dielectric Strength	1500VAC/min, <1mA		
Insulation Resistance	≥10MΩ @ 500 VDC		

Part Number	OA938EC-UR-1WB
Rated Voltage (Volts AC)	115 / 230, 50 / 60 Hz
Voltage Range (Volts AC)	85 ~ 265
Input Power (Watts)	7 ~ 5 (2.2 Typ.)
Rated Speed (RPM)	3000
Max Airflow (CFM)	60
Noise Level (dBA)	43.1
Max Static Pressure (\" H ₂ O)	0.27