

2357686-8 ✓ ACTIVE

TE Internal #: 2357686-8

Rectangular Connector Locking, TPA (Terminal Position Assurance),
Wire-to-Board, 8 Position, .079 in [2 mm] Centerline, Wire & Cable,
UL 94V-0, Signal

[View on TE.com >](#)



Connectors > Rectangular Connectors > Rectangular Connector Accessories > Locking



Connector & Contact Retention Accessory Type: **TPA (Terminal Position Assurance)**

Connector System: **Wire-to-Board**

Number of Positions: **8**

Centerline (Pitch): **2 mm [.079 in]**

Sealable: **No**

Features

Product Type Features

Connector & Contact Retention Accessory Type	TPA (Terminal Position Assurance)
Connector System	Wire-to-Board
Sealable	No
Connector & Contact Terminates To	Wire & Cable

Configuration Features

Number of Positions	8
---------------------	---

Body Features

Color	Black
-------	-------

Contact Features

Contact Current Rating (Max)	2.5 A
------------------------------	-------

Housing Features

Centerline (Pitch)	2 mm[.079 in]
--------------------	---------------

Usage Conditions

Operating Temperature Range	-40 – 105 °C[-40 – 221 °F]
-----------------------------	----------------------------



Operation/Application

Circuit Application	Signal
---------------------	--------

Industry Standards

UL Flammability Rating	UL 94V-0
------------------------	----------

Product Compliance

[For compliance documentation, visit the product page on TE.com>](#)

EU RoHS Directive 2011/65/EU	Compliant
EU ELV Directive 2000/53/EC	Compliant
China RoHS 2 Directive MIIT Order No 32, 2016	No Restricted Materials Above Threshold
EU REACH Regulation (EC) No. 1907/2006	Current ECHA Candidate List: JUNE 2022 (224) Candidate List Declared Against: JAN 2022 (223) SVHC > Threshold: Not Yet Reviewed
Halogen Content	Low Halogen - Br, Cl, F, I < 900 ppm per homogenous material. Also BFR/CFR/PVC Free
Solder Process Capability	Not reviewed for solder process capability

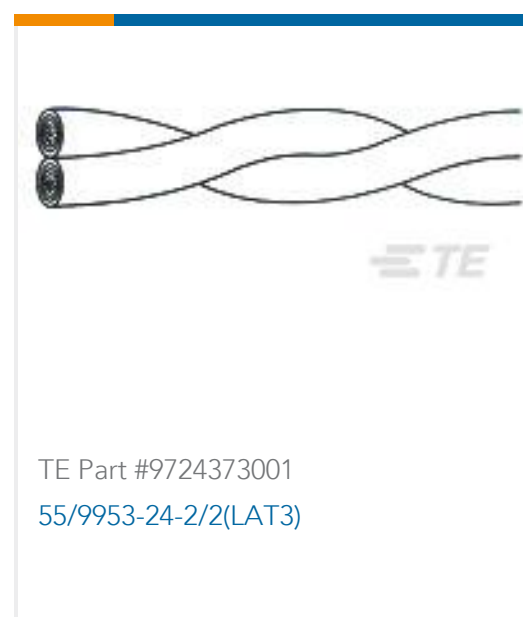
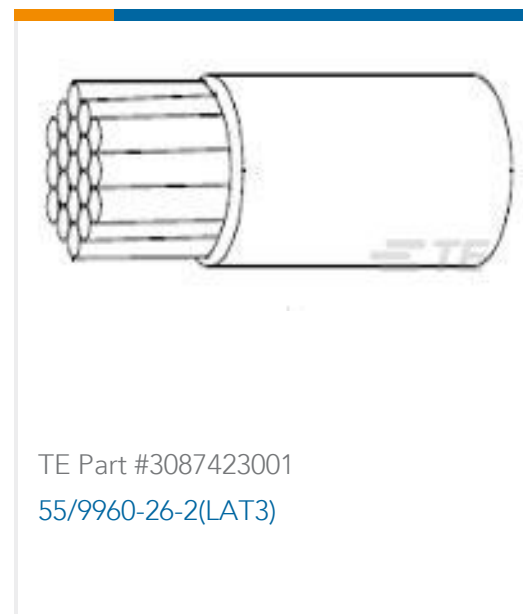
Product Compliance Disclaimer

This information is provided based on reasonable inquiry of our suppliers and represents our current actual knowledge based on the information they provided. This information is subject to change. The part numbers that TE has identified as EU RoHS compliant have a maximum concentration of 0.1% by weight in homogenous materials for lead, hexavalent chromium, mercury, PBB, PBDE, DBP, BBP, DEHP, DIBP, and 0.01% for cadmium, or qualify for an exemption to these limits as defined in the Annexes of Directive 2011/65/EU (RoHS2). Finished electrical and electronic equipment products will be CE marked as required by Directive 2011/65/EU. Components may not be CE marked. Additionally, the part numbers that TE has identified as EU ELV compliant have a maximum concentration of 0.1% by weight in homogenous materials for lead, hexavalent chromium, and mercury, and 0.01% for cadmium, or qualify for an exemption to these limits as defined in the Annexes of Directive 2000/53/EC (ELV). Regarding the REACH Regulation, the information TE provides on SVHC in articles for this part number is based on the latest European Chemicals Agency (ECHA) 'Guidance on requirements for substances in articles' posted at this URL: <https://echa.europa.eu/guidance-documents/guidance-on-reach>

Compatible Parts



Customers Also Bought



Documents

Product Drawings

SGI 2.0 Crimp TPA

English

CAD Files

3D PDF

3D

Customer View Model

[ENG_CVM_CVM_2357686-8_A.2d_dxf.zip](#)

English

Customer View Model

[ENG_CVM_CVM_2357686-8_A.3d_igs.zip](#)

English

Customer View Model

[ENG_CVM_CVM_2357686-8_A.3d_stp.zip](#)

English

By downloading the CAD file I accept and agree to the [Terms and Conditions](#) of use.

2357686-8

Rectangular Connector Locking, TPA (Terminal Position Assurance), Wire-to-Board, 8 Position, .079 in [2 mm] Centerline, Wire & Cable, UL 94V-0, Signal



[Product Specifications](#)

[Application Specification](#)

English