

Round Phototransistor 5mm

multicomp PRO



Features

- Standard 3mm Package
- High Sensitivity

Maximum Ratings at Ta=25°C

Power Dissipation	: 75mW
Collector-emitter voltage	: 30V
Emitter-collector voltage	: 5V
Operating Temperature Range	: -25°C to +85°C
Storage Temperature Range	: -40°C to +100°C
Soldering Temperature Dip Soldering	: 260°C for 5 secs
Soldering Temperature Hand Soldering	: 350°C for 3 secs

Electrical & Optical Characteristics at Ta=25°C

Chip		Collector-emitter breakdown voltage(V)	Emitter-collector breakdown voltage(V)	Collector-emitter saturation voltage (V)	Rise Time μ S	Fall Time μ S	Collector Dark Current (nA)	On State Collector Current (mA) min. typ.	Peak Sensitivity Wavelength
Material	Lens Colour	(Conditions: Ee = 0mW/cm ² IC = 100 μ A)	(Conditions: Ee = 0mW/cm ² IE = 100 μ A)	(Conditions: Ee = 1mW/cm ² IC = 2mA)	(Conditions: Vce = 5V, IC = 1mA, RL = 1000)		(Conditions: Ee = 0mW/cm ² Vce = 20V)	(Conditions: Ee = 1mW/cm ² Vce = 5V)	
Silicon	Black	30	5	0.3	15		100	0.6 2	860

Typical Electrical / Optical Characteristics Curves

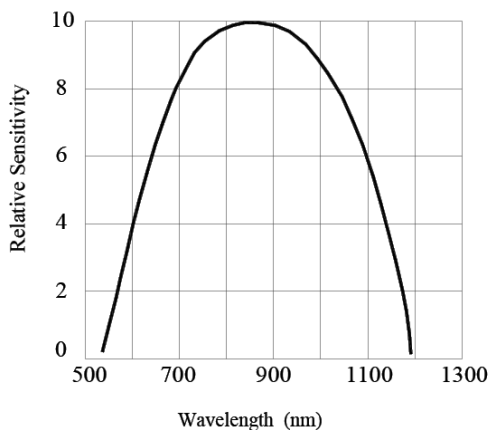


Fig. 1 Spectral Sensitivity VS. Peak Wavelength

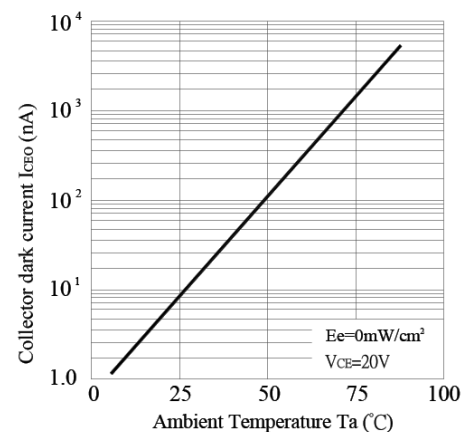


Fig. 2 Collector Dark Current VS. Ambient Temperature

multicomp PRO

Round Phototransistor 5mm

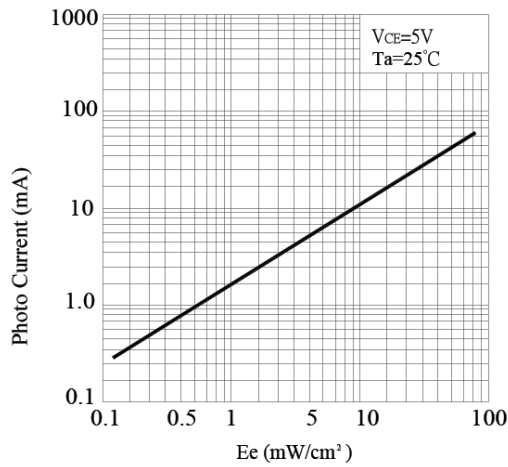


Fig. 3 Photo Current VS. Irradiance

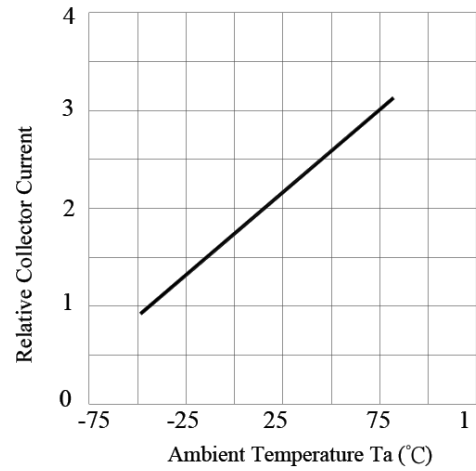
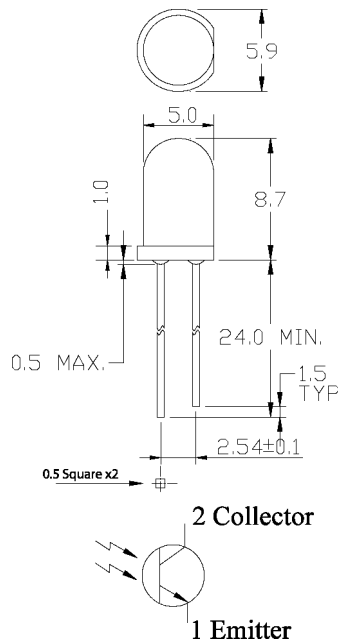


Fig. 4 Collector Current VS. Ambient Temperature

OFT-53 Series



Dimensions : Millimetres

Part Number Table

Description	Part Number
5mm Round Phototransistor	OFT-5301

Important Notice : This data sheet and its contents (the "Information") belong to the members of the AVNET group of companies (the "Group") or are licensed to it. No licence is granted for the use of it other than for information purposes in connection with the products to which it relates. No licence of any intellectual property rights is granted. The Information is subject to change without notice and replaces all data sheets previously supplied. The Information supplied is believed to be accurate but the Group assumes no responsibility for its accuracy or completeness, any error in or omission from it or for any use made of it. Users of this data sheet should check for themselves the Information and the suitability of the products for their purpose and not make any assumptions based on information included or omitted. Liability for loss or damage resulting from any reliance on the Information or use of it (including liability resulting from negligence or where the Group was aware of the possibility of such loss or damage arising) is excluded. This will not operate to limit or restrict the Group's liability for death or personal injury resulting from its negligence. Multicomp Pro is the registered trademark of Premier Farnell Limited 2019.