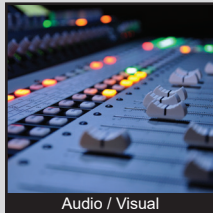


# TL6800 SERIES TACT SWITCH

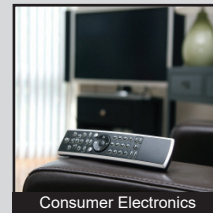
## APPLICATIONS / MARKETS



Audio / Visual



Computer Peripherals



Consumer Electronics



Instrumentation



Medical Equipment



Telecommunication

# RoHS

## SPECIFICATIONS

**Electrical Rating:** 50mA, 12VDC  
**Contact Resistance:** 100mΩ Max. (Initial)  
**Insulation Resistance:** 100MΩ Min. at 100VDC  
**Dielectric Strength:** 250VAC for 1 Minute  
**Operating Temperature:** -40°C to 90°C  
**Storage Temperature:** -40°C to 90°C  
**Travel:** 0.25mm +0.15mm  
**Moisture Protection:** IP67  
**Actuation Force/Life Cycles:** 160gf ±50gf/1,000,000 cycles  
260gf ±50gf/500,000 cycles

**Function:** SPST, Off-(On)  
**Bounce:** 10msec Max.  
**Contact Material:** Silver  
**Packaging:** Tape and Reel, 1,500 pcs/reel

## FEATURES & BENEFITS

- Up to 1,000,000 cycle life expectancy
- Tape and Reel packaging
- Surface mount design
- Actuation force options
- IP67 Rating

## PART NUMBER CONFIGURATOR

Series	Circuit	Actuator	Actuation Force	Contact Material	Termination
<input type="text" value="TL"/>	<input type="text" value="6800"/>	<input type="text" value="A - 3.1mm"/>	<input type="text" value="F160 - 160 gf - Brown"/> <input type="text" value="F260 - 260 gf - Red"/>	<input type="text" value="Q - Silver"/>	<input type="text" value="J - J-bend"/>

Specifications subject to change without notice 7.27.2022



**E-SWITCH**®

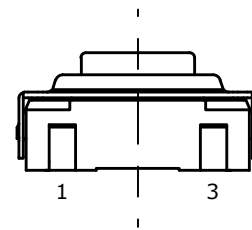
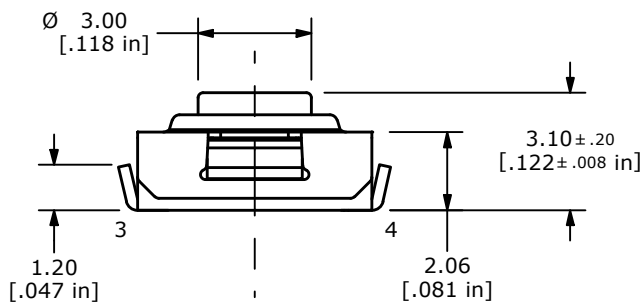
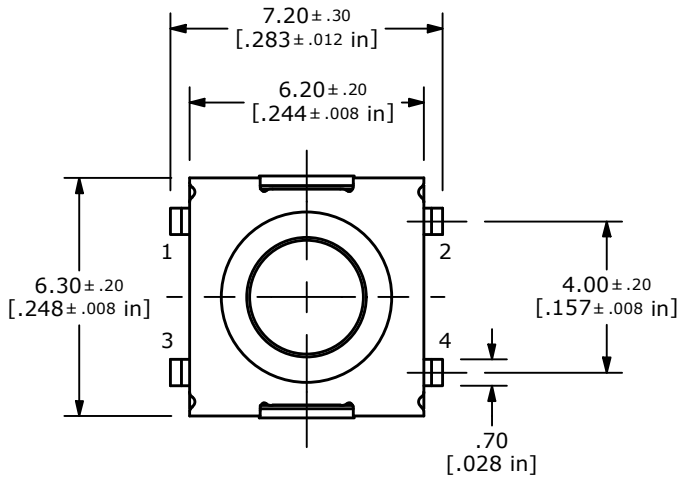
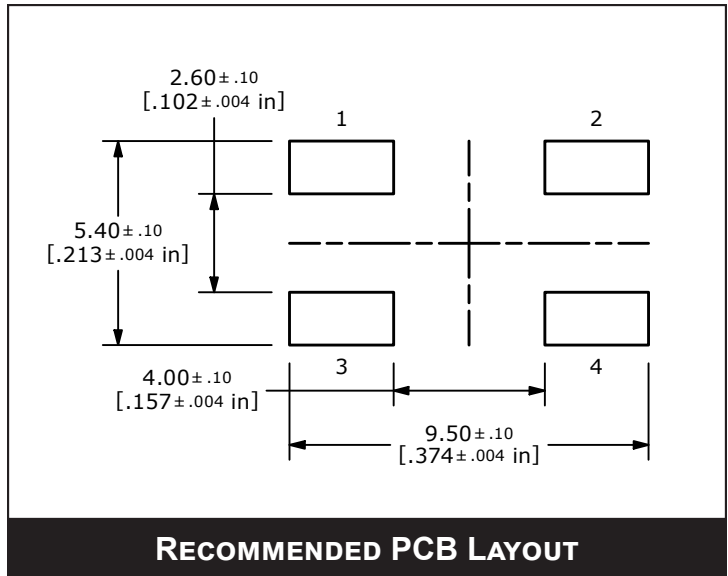
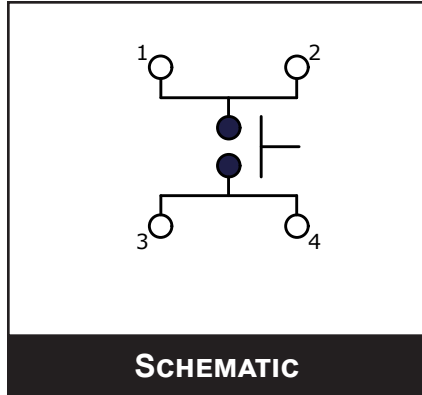
www.e-switch.com

800.867.2717

1

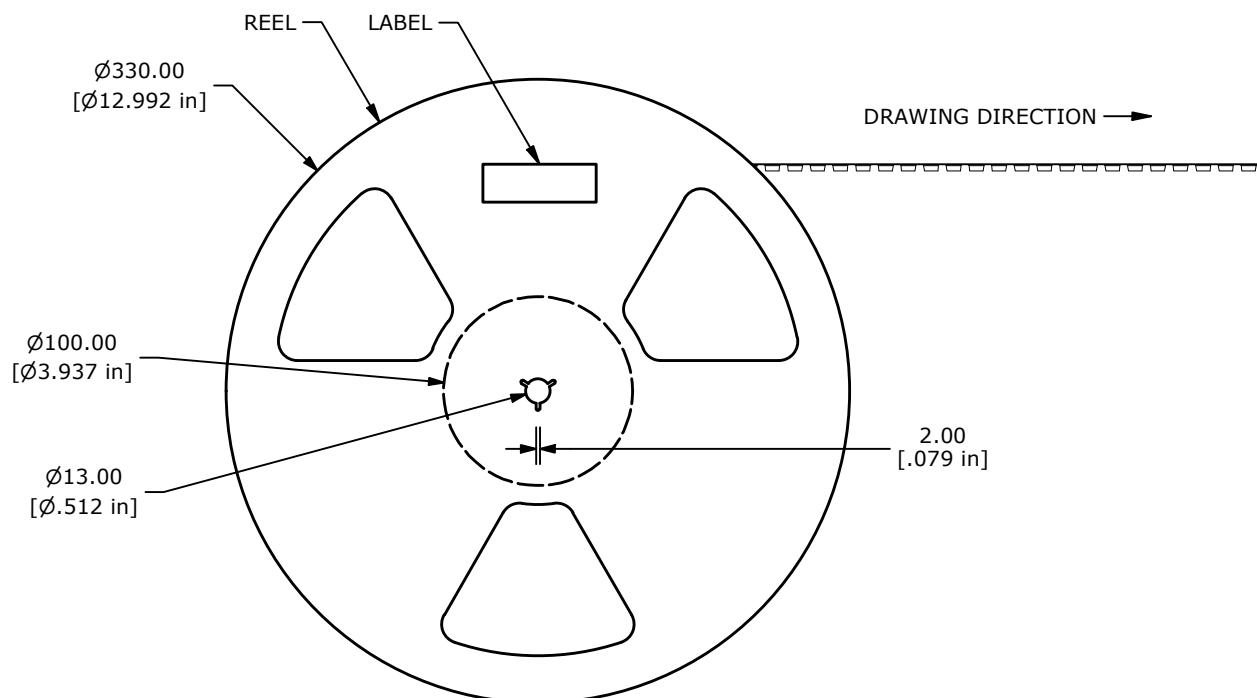
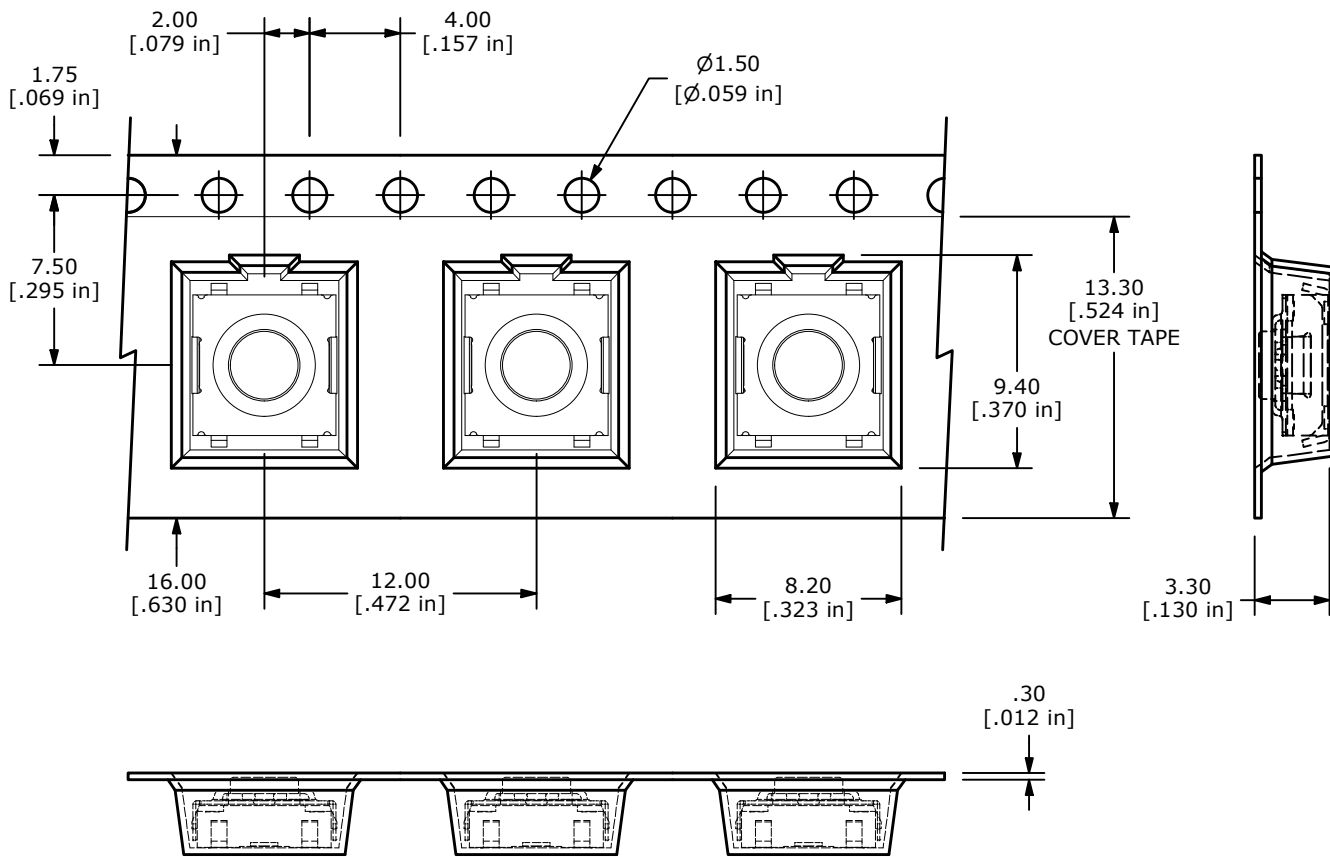
# TL6800 SERIES TACT SWITCH

## BODY DIMENSIONS



# TL6800 SERIES TACT SWITCH

## BODY DIMENSIONS TAPE AND REEL



## RECOMMENDED SOLDER PROCESS

Most contamination problems can be prevented by exercising care during the cleaning and soldering process. Care should be taken not to immerse or spray unsealed switches during flux removal. Contact E-Switch for specific soldering recommendations and specifications not shown. Generalized soldering procedures are outlined below.

### “TYPICAL” SMT REFLOW (Pb and Pb-Free)

Profile Feature	Sn-Pb Eutectic Assembly	Pb-Free Assembly
Average Ramp-Up Rate ( $T_{s_{max}}$ to $T_p$ )	3 °C/second max.	3 °C/second max.
<b>Preheat</b>		
-Temperature Min ( $T_{s_{min}}$ )	100 °C	150 °C
-Temperature Max ( $T_{s_{max}}$ )	150 °C	200 °C
-Time ( $t_{s_{min}}$ to $t_{s_{max}}$ )	60-120 seconds	60-180 seconds
Time Maintained above:		
-Temperature ( $T_L$ )	183 °C	217 °C
-Time ( $t_L$ )	60-150 seconds	60-150 seconds
Time within 5 °C of actual Peak Temperature ( $t_p$ )	10-30 seconds	20-40 seconds
Ramp-Down Rate	6 °C/second max.	6 °C/second max.
Time 25 °C to Peak Temperature	6 minutes max.	8 minutes max.

*Note 1: All temperatures refer to topside of the package, measured on the package surface.*

