

Raspberry Pi 4 Model B Development Board Enclosure

multicomp PRO

**RoHS
Compliant**



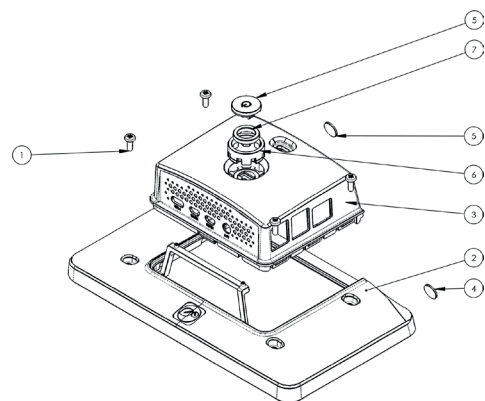
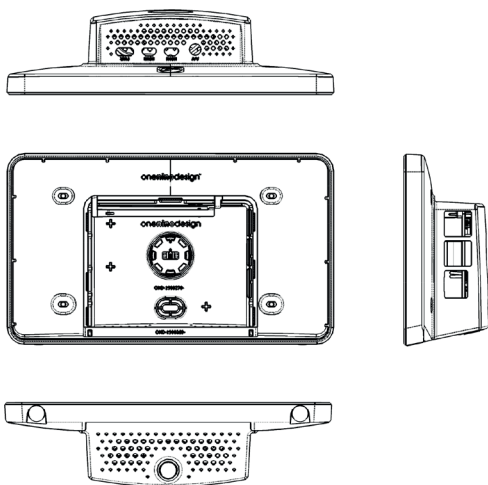
Description

Raspberry Pi 4 multi-colour case assembly is a high quality ABS case designed specifically for Raspberry Pi 4 Model B and touchscreen to be used as a single unit.

Features

- Intuitive assembly with fixing screws included
- Durable 2-piece ABS construction
- Removable back plate for GPIO accessibility
- Full access to all ports and controls
- Ventilated design for passive cooling

Diagram



No.	Description	Qty.
1	M3x4 Screw	4
2	Pipad Lite Bezel	1
3	Pipad Lite Rear Cover	1
4	Foam Rubber Foot	3
5	Pi 4 Power-Hat Power Button	1
6	Pi 4 Power Hat Light Guide Moulding	1
7	Power Button Foam Pad	1

Part Number Table

Description	Case Colour	Part Number
Development Board Enclosure, Raspberry Pi 4 Model B	Black	ASM-1900152-21
	Clear	ASM-1900152-01
	White	ASM-1900152-11
	Red	ASM-1900152-61

Note:

Touchscreen for illustration only, not included

Important Notice : This data sheet and its contents (the "Information") belong to the members of the AVNET group of companies (the "Group") or are licensed to it. No licence is granted for the use of it other than for information purposes in connection with the products to which it relates. No licence of any intellectual property rights is granted. The Information is subject to change without notice and replaces all data sheets previously supplied. The Information supplied is believed to be accurate but the Group assumes no responsibility for its accuracy or completeness, any error in or omission from it or for any use made of it. Users of this data sheet should check for themselves the Information and the suitability of the products for their purpose and not make any assumptions based on information included or omitted. Liability for loss or damage resulting from any reliance on the Information or use of it (including liability resulting from negligence or where the Group was aware of the possibility of such loss or damage arising) is excluded. This will not operate to limit or restrict the Group's liability for death or personal injury resulting from its negligence. Multicomp Pro is the registered trademark of Premier Farnell Limited 2019.