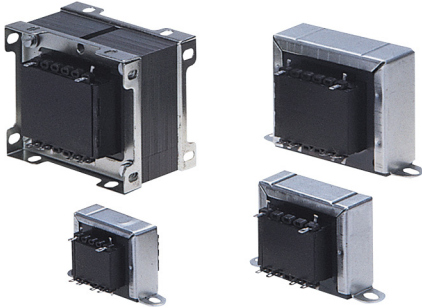


# Transformers

## Chassis Mounting



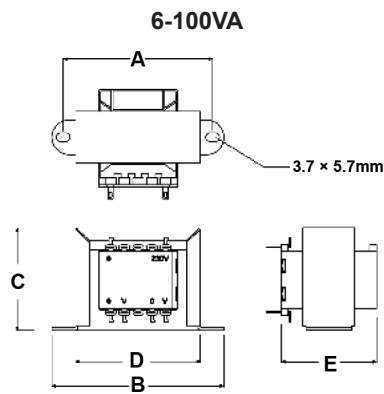
### Features

- Single 115V primary winding
- Double section imperial bobbin
- 6 to 200VA power, 50/60Hz
- Temperature class B (130°C)
- Dielectric strength 3,750VRMS
- Manufactured and tested in accordance with EN60950 and EN61558

### Specifications

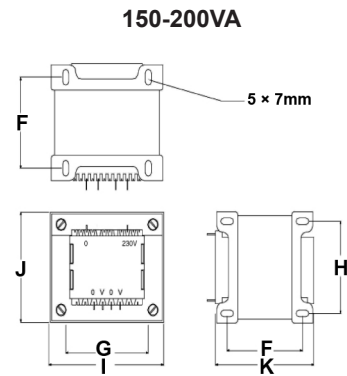
Max. Winding Temperature : 55°C  
 Overall Insulation Rating : >50MΩ (at 500V, 20°C)  
 Flash Test (isolation test) : Primary/Secondary/Lamination 2.4KVRMS  
 Winding Wire : Polyurethane coated IEC317 Grade 1  
 Tape : 3M No 56 or 3M No 1350Y Thermosetting  
 Core : 400/50  
 Finish : Ultimeg 3.72 Clear

### Diagram



**6-50 VA L-Clamps**

VA Rating	Reg % 2	A ±1	B ±1	C ±1	D ±1	E ±1	Weight
6	24	55	68	37	45	36	170g
12	16	74	90	50	60	45	390g
20	12	74	90	50	60	52	530g
25	10	83	97	5	69	53	675g
50	9	94	106	65	79	53	985g



**75 - 200VA Universal end frames**

VA Rating	Reg % 2	F ±1	G ±1	H ±1	I ±1	J ±1	K ±1	Weight
75	8	55	54	54	80	67	71	1,480g
100	10	45	57	57	89	75	65	1,550g
200	8	68	72	56	102	85	85	2,750g

Dimensions : Millimetres

# Transformers

## Chassis Mounting

pro-POWER

### Single Primary

Part Number	VA	Output V AC
CTFC6-4.5	6	4.5
CTFC6-6		6
CTFC6-9		9
CTFC6-12		12
CTFC6-15		15
CTFC12-9	12	9
CTFC12-12		12
CTFC12-15		15
CTFC12-20		20
CTFC12-24		24

Part Number	VA	Output V AC
CTFC20-9	20	9
CTFC20-12		12
CTFC20-15		15
CTFC20-18		18
CTFC20-20		20
CTFC20-24	50	24
CTFC50-6		6
CTFC50-9		9
CTFC50-12		12

Part Number	VA	Output V AC
CTFC50-15	50	15
CTFC50-18		18
CTFC50-24		24
CTFC75-9	75	9
CTFC75-20		20
CTFC100-9U	100	9
CTFC100-12U		12
CTFC100-20U		20

### Part Number Table

Description	Part Number
Transformer, 6VA, 2 × 4.5V	CTFC6-4.5
Transformer, 6VA, 2 × 6V	CTFC6-6
Transformer, 6VA, 2 × 9V	CTFC6-9
Transformer, 6VA, 2 × 12V	CTFC6-12
Transformer, 6VA, 2 × 15V	CTFC6-15
Transformer, 12VA, 2 × 9V	CTFC12-9
Transformer, 12VA, 2 × 12V	CTFC12-12
Transformer, 12VA, 2 × 15V	CTFC12-15
Transformer, 12VA, 2 × 20V	CTFC12-20
Transformer, 12VA, 2 × 24V	CTFC12-24
Transformer, 20VA, 2 × 9V	CTFC20-9
Transformer, 20VA, 2 × 12V	CTFC20-12
Transformer, 20VA, 2 × 15V	CTFC20-15
Transformer, 20VA, 2 × 18V	CTFC20-18

Description	Part Number
Transformer, 20VA, 2 × 20V	CTFC20-20
Transformer, 20VA, 2 × 24V	CTFC20-24
Transformer, 50VA, 2 × 6V	CTFC50-6
Transformer, 50VA, 2 × 9V	CTFC50-9
Transformer, 50VA, 2 × 12V	CTFC50-12
Transformer, 50VA, 2 × 15V	CTFC50-15
Transformer, 50VA, 2 × 18V	CTFC50-18
Transformer, 50VA, 2 × 24V	CTFC50-24
Transformer, 75VA, 2 × 9V	CTFC75-9
Transformer, 75VA, 2 × 20V	CTFC75-20
Transformer, 100VA, 2 × 9V	CTFC100-9U
Transformer, 100VA, 2 × 12V	CTFC100-12U
Transformer, 100VA, 2 × 20V	CTFC100-20U

**Important Notice** : This data sheet and its contents (the "Information") belong to the members of the Premier Farnell group of companies (the "Group") or are licensed to it. No licence is granted for the use of it other than for information purposes in connection with the products to which it relates. No licence of any intellectual property rights is granted. The Information is subject to change without notice and replaces all data sheets previously supplied. The Information supplied is believed to be accurate but the Group assumes no responsibility for its accuracy or completeness, any error in or omission from it or for any use made of it. Users of this data sheet should check for themselves the Information and the suitability of the products for their purpose and not make any assumptions based on information included or omitted. Liability for loss or damage resulting from any reliance on the Information or use of it (including liability resulting from negligence or where the Group was aware of the possibility of such loss or damage arising) is excluded. This will not operate to limit or restrict the Group's liability for death or personal injury resulting from its negligence. pro-POWER is the registered trademark of the Group. © Premier Farnell plc 2012.

www.element14.com  
 www.farnell.com  
 www.newark.com  
 www.cpc.co.uk

pro-POWER