

Thin Film Pyroelectric Dual Channel Sensor

Introduction

Broadcom® thin film pyroelectric infrared (IR) sensors for gas detection and other substance concentration measurements offer exceptionally high responsivity, low microphonics, and class-leading thermal and electrical stability. This high-performance current mode sensor achieves a signal to noise of ~10,000 and offers a fast, stable response over a wide operating frequency range. The sensor elements are built into a low-noise circuit that has an internal CMOS op amp, with a 10-GΩ feedback resistor outputting a voltage signal centered around half the supply rail.



Sensor Characteristics

Filter aperture	2.6 mm square
Element size	1000 μm x 1000 μm
Package	TO39
Responsivity ¹	150,000 V/W
D* ¹	3.5 x 10 ⁸ cm√Hz/ W
Noise ¹	70 μV√Hz

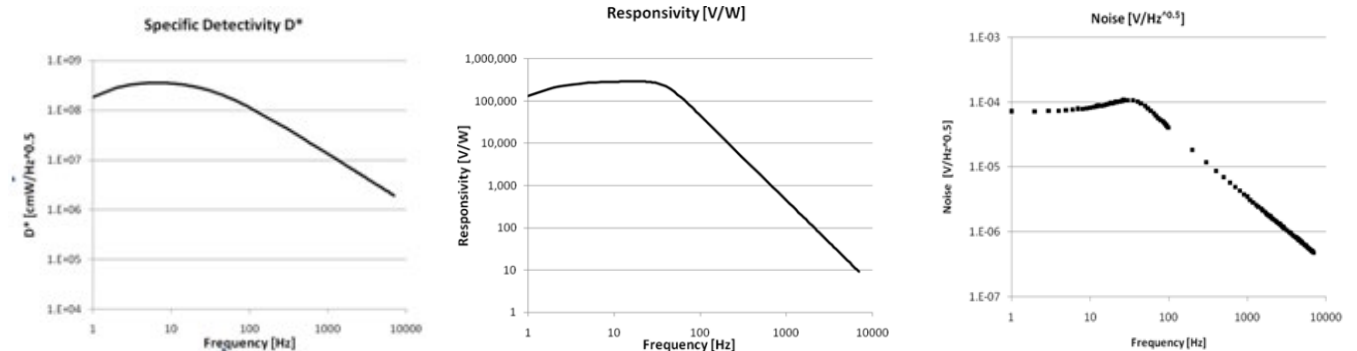
Electrical Characteristics

Max. Voltage (+V) ²	8.0 V
Min. Voltage	2.7 V
Output voltage normalized around mid-rail	
Microphonics	S _{vib} ~2 μV/ g at 10 Hz
Time Constant	~12 ms
Operating Temperature	-40 to +85 °C
Storage Temperature	-40 to +110 °C
Filters	See "Filters Available"

¹10 Hz, 500 K, room temperature, without window and optics

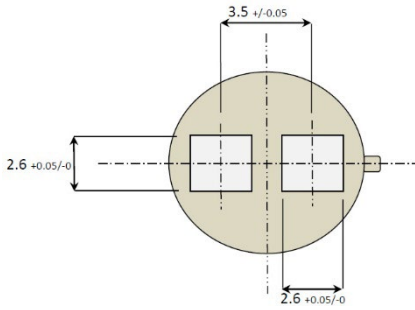
² Absolute maximum operating voltage

Frequency Characteristics

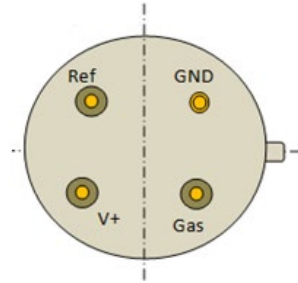


Package Information

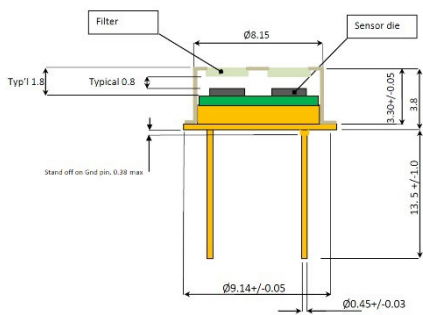
Filter Window Size



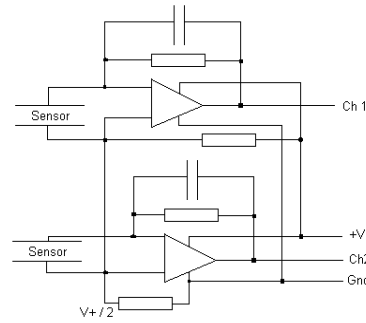
Top View



Bottom View



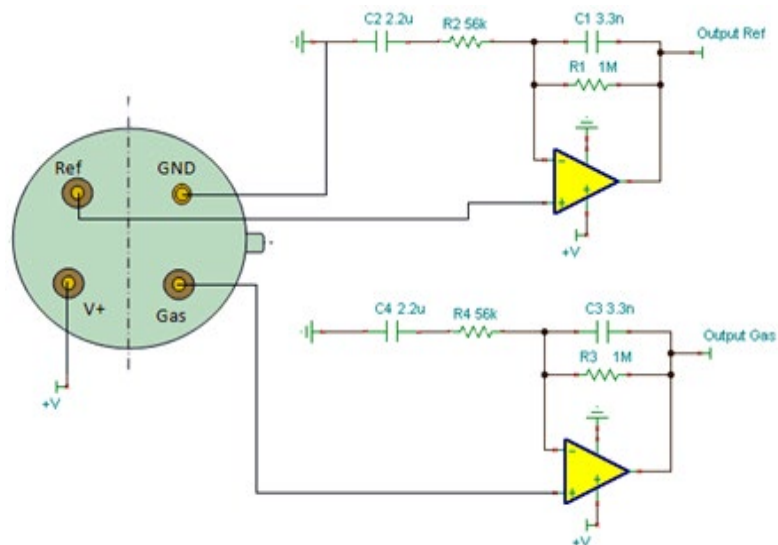
Package Dimensions



Internal Schematic

Note: Ensure that the sensor base is not in contact with the PCB in order to avoid shorts.

Recommended Circuit Diagram



Broadcom has a range of standard filters available.

Part Number	Channel 1		Channel 2 (Tab)	
	CWL μm / HPB nm	Use	CWL μm / HPB nm	Use
AFBR-S6PY2486	3.91 / 90	Reference	3.33 / 160	H-C
AFBR-S6PY0234	3.91 / 90	Reference	4.26 / 180	CO ₂
AFBR-S6PY2343	3.70 / 110	Reference	4.26 / 180	CO ₂ (Medical)
AFBR-S6PY2572	4.90 / 130	Reference	4.26 / 180	CO ₂ (Medical)
AFBR-S6PY1943	3.91 / 90	Reference	4.30 / 110	CO ₂ (Narrow)

Note: In some implementations, it may be necessary to add an optical high wavelength blocking filter externally to the sensor package.

Copyright © 2022 Broadcom. All Rights Reserved. The term “Broadcom” refers to Broadcom Inc. and/or its subsidiaries. For more information, go to www.broadcom.com. All trademarks, trade names, service marks, and logos referenced herein belong to their respective companies.

Broadcom reserves the right to make changes without further notice to any products or data herein to improve reliability, function, or design. Information furnished by Broadcom is believed to be accurate and reliable. However, Broadcom does not assume any liability arising out of the application or use of this information, nor the application or use of any product or circuit described herein, neither does it convey any license under its patent rights nor the rights of others.

AFBR-S6ATO2-DS100